

WALKER MANUFACTURING COMPANY

LAWN DETHATCHER DT40

Introduction - The Walker Lawn Dethatcher will effectively dislodge excessive thatch from your lawn. Thatch is a layer of stems, clippings, runners, roots, and leaves that have not decayed. Excessive thatch prevents air, water, and fertilizer from reaching the roots. Read these instructions to avoid improper assembly and operation.

ASSEMBLY

- 1) Assemble tine tray mounting brackets to the tine tray, as shown using fasteners listed below. FINGER TIGHTEN ONLY. One (1) dethatching tine will need to be attached using the carriage bolt for the tray mounting bracket, as shown in parts breakdown.
- 2) Attach the remaining tines to tine tray, as shown in parts breakdown.

IMPORTANT: Make sure the loop between the tine coils nests around the projections on the tine tray. Tighten all nuts.

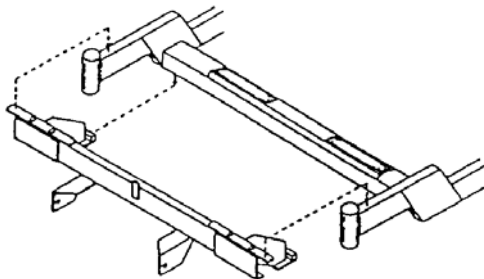
- 3) Insert safety rods through the coils of the tines, as shown in parts breakdown. Secure by bending the ends 1-1/2" to 2" long to prevent them from slipping back through the tines. The wires must be free to move slightly from side to side.

WARNING: Failure to install the safety wires can result in personal injury if a tine should disengage from the tine tray.

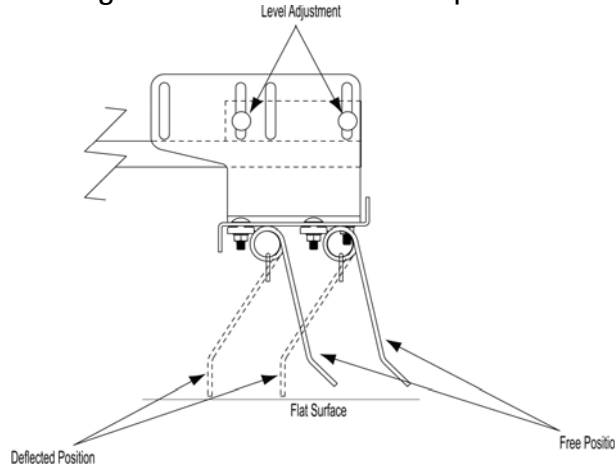
- 4) Mount the carrier frame to the inside of the tray mounting brackets, as shown in parts breakdown. FINGER TIGHTEN ONLY.
- 5) Attach lift lever to the carrier frame, as shown in parts breakdown.
- 6) Attach lift trigger to lever handle, as shown in parts breakdown.
- 7) The adjustable extension bars and the channel mounts need to be installed according to deck size, as shown in Illustration A.

NOTE: It will be necessary to adjust the tray mounting brackets from side to side to match the width of the frame. After completion, tighten all nuts.

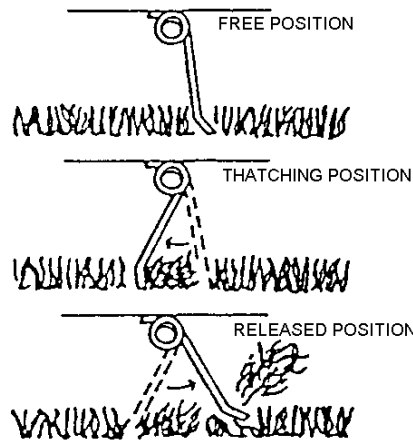
ATTACHMENT - Select a smooth, flat surface such as a driveway, sidewalk, garage floor, etc. Attach the dethatcher to the front of the deck carrier frame, as illustrated. It is a simple procedure for attachment with no bolting required. As illustrated, hook the rear legs of the dethatcher under the front of the deck carrier frame and rest the side channel mounts on top of the deck carrier frame arms.



ADJUSTMENT - Loosen the four (4) nuts on the sides of the tray mounting brackets. Adjust the tine tray to locate the tine ends approximately 1/2" above the flat surface when in the free position and touching the flat surface when pushed back. Tighten four (4) nuts.



OPERATION (Tine Action) - Grass should be less than 3" tall for proper tine action. When in use, all tines should deflect back independently and "flip" the thatch forward, as illustrated. If the tines seem to drag without flipping forward, the tine tray is too low and needs to be raised. Having the tine tray too low will result in tine breakage. If all the tines remain in the free position, the tine tray is too high and needs to be lowered. Make the proper adjustments as necessary, up or down, by no more than 1/4" at a time until the proper results are achieved. See adjustment instructions above.

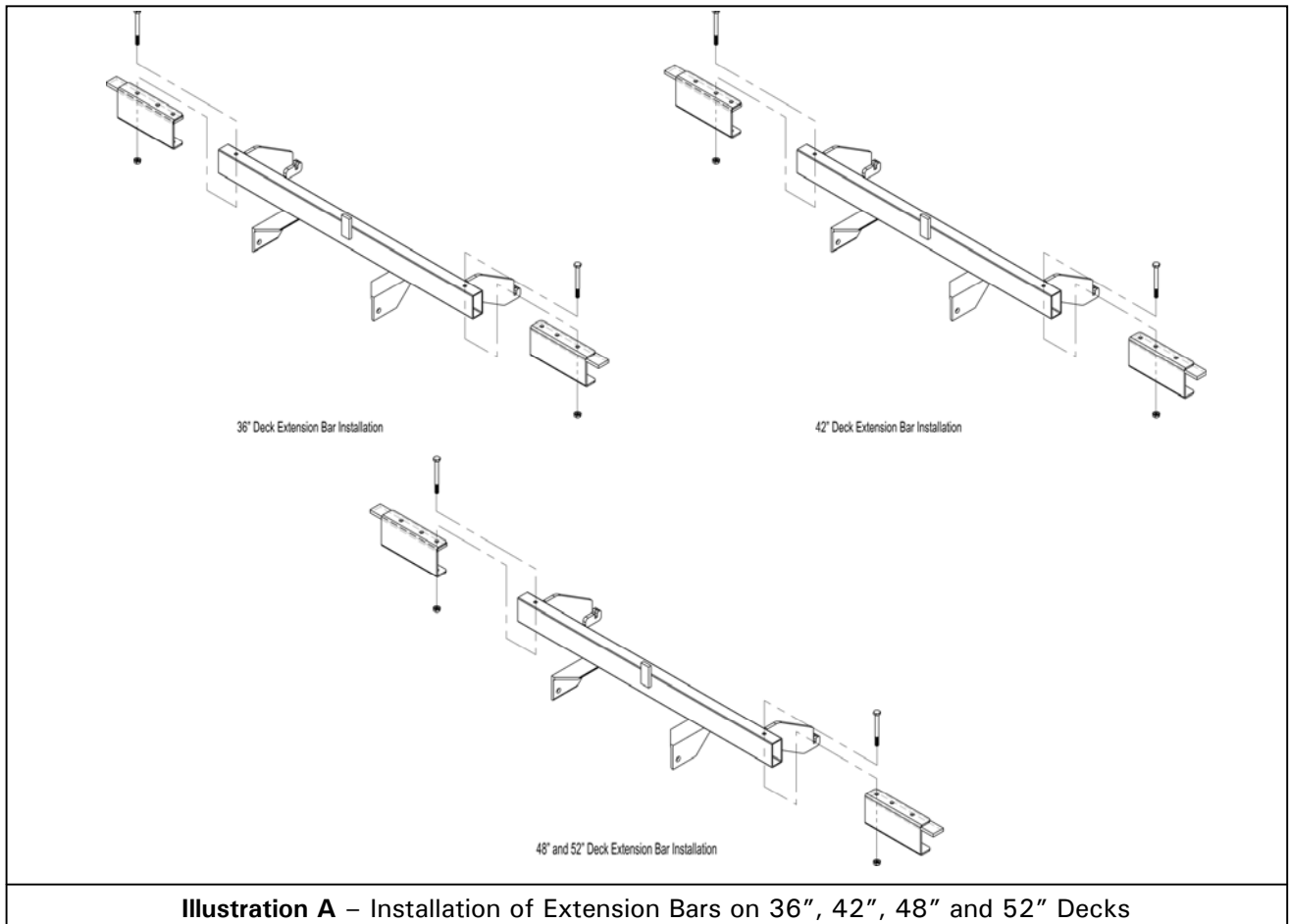


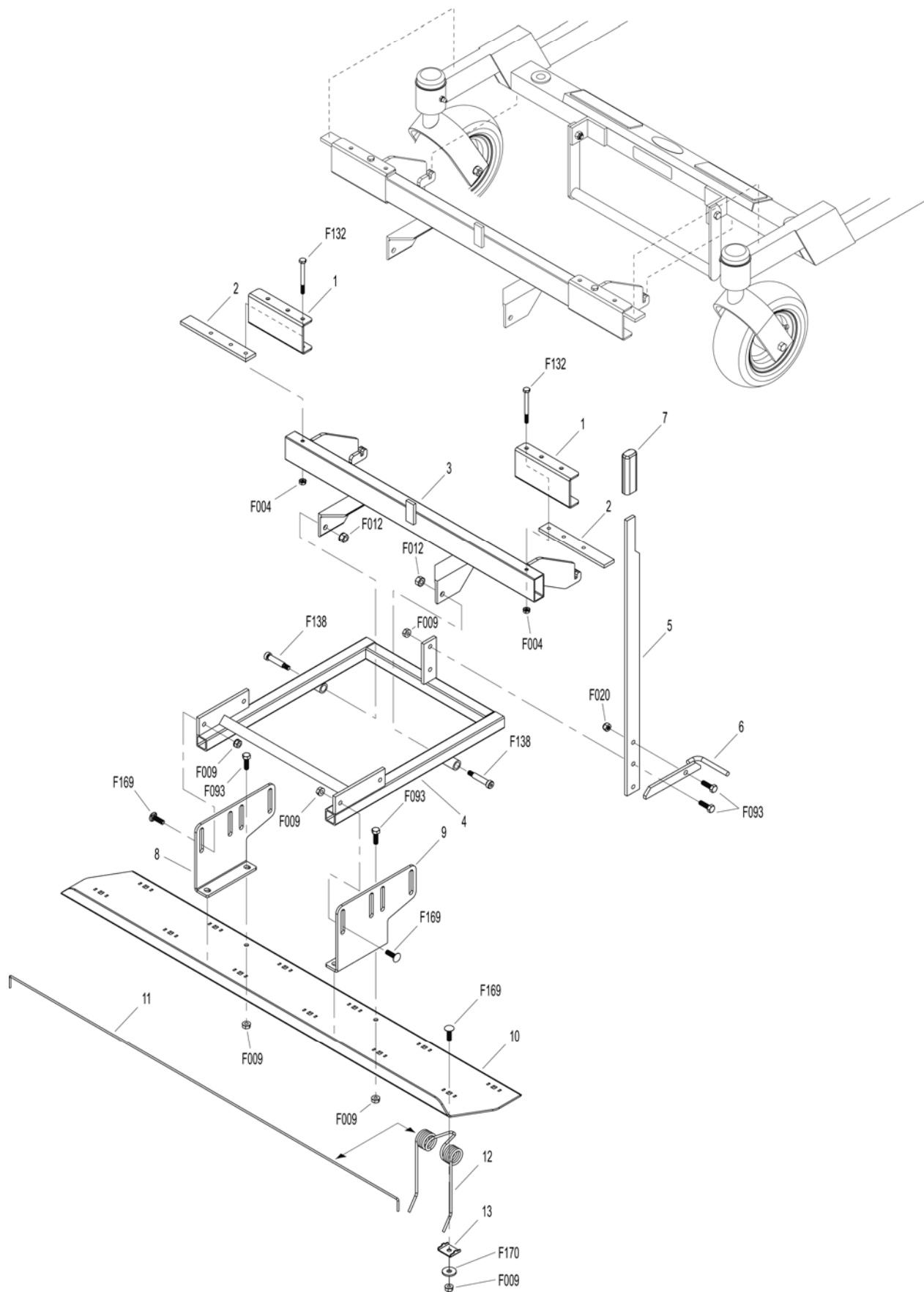
MAINTENANCE - The Walker Lawn Dethatcher is maintenance free. However, as with any steel product, given enough time, it can rust. For rust on the tines, apply a light coat of oil. For rust on the tray or mounting brackets, simply sand lightly and coat with an enamel.

NOTE: Always store the dethatcher in a dry place when not in use.

ITEM NO.	PART NO.	DESCRIPTION	QTY. REQ'D	
1	6604-20	Channel Mount	2	B
2	6604-2	Adjustable Extension Bar	2	
3	6609	Mounting Bracket	1	
4	6607	Carrier Frame	1	
5	6606	Lift Lever (Includes Item #7)	1	
6	6603	Trigger Assembly	1	
7	5850-3	Handle Grip	*	
8	6615-6	Tray Mounting Bracket, RH	1	
9	6615-7	Tray Mounting Bracket, LH	1	
10	6605-3	Tine Tray (41")	1	C
11	6608-2	Safety Rod (42")	2	
12	6610	Dethatching Tine	12	B
13	6610-3	Tine Retainer Clip	12	
F004	F004	1/4-20 Keps Nut	2	
F009	F009	5/16-18 Whiz Locknut	19	B
F012	F012	3/8-16 Keps Nut	2	
F020	F020	5/16-18 ESNA Nut	1	
F093	F093	5/16-18 x 1 Hex Bolt	3	
F132	F132	1/4-20 x 2-3/4 Hex Bolt	2	
F138	F138	3/8-16 x 1/2 x 1-1/2 Shoulder Bolt	2	
F169	F169	5/16-18 x 1 Carriage Bolt	17	
F170	F170	5/16 x 1 x 7/64 Washer	10	

* Service Part Only





C