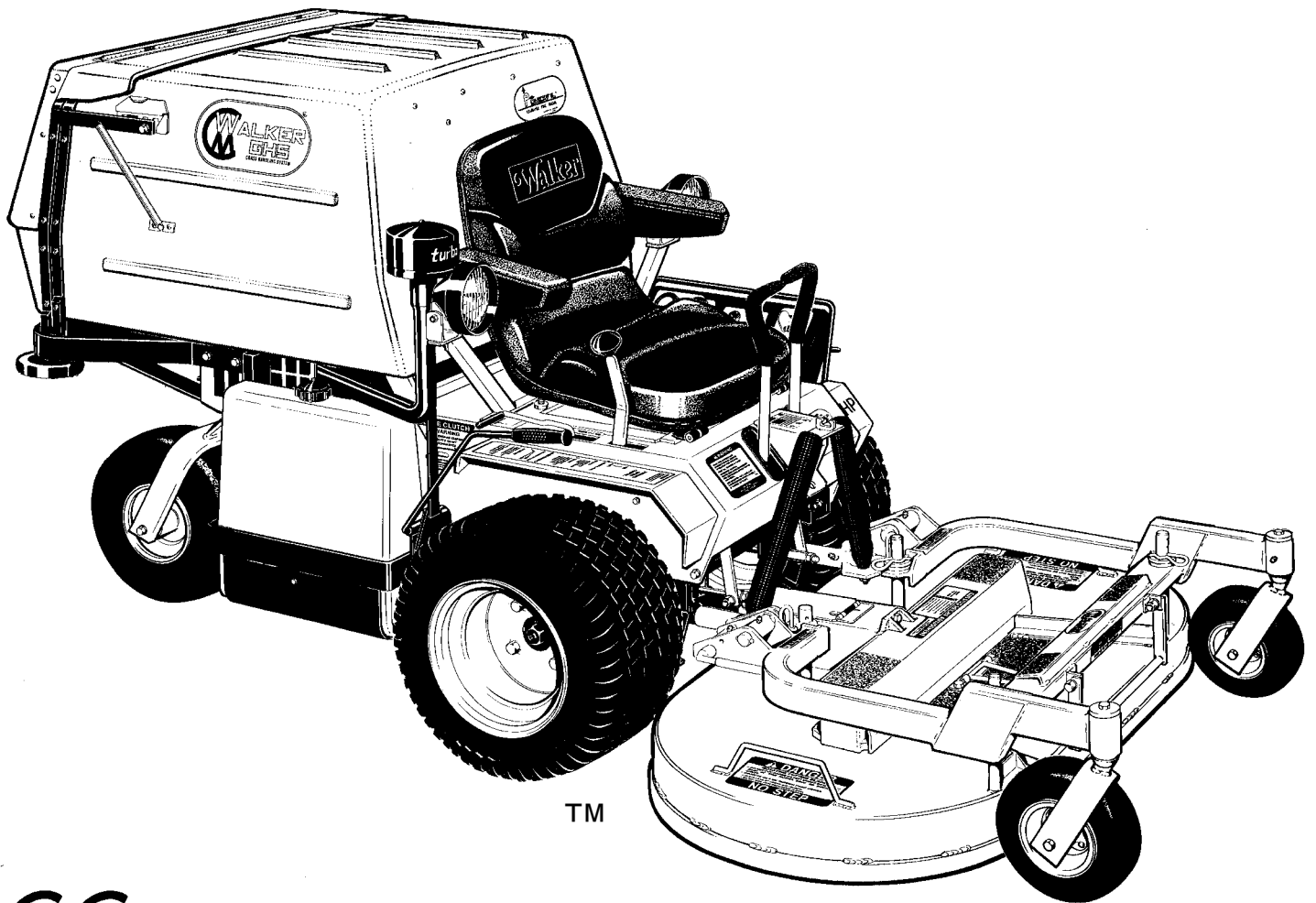


# Walker Rider Lawnmowers

## ILLUSTRATED PARTS MANUAL

Model MT (20.0 / 25.0 HP)



CE

Effective Date:  
05-22-97

P/N 8000-2  
Price \$5.00

# KEY TO ABBREVIATIONS USED IN THIS MANUAL

<i>Abbreviation</i>	<i>What it Represents</i>
AT	All-Terrain
CCW	Counter-clockwise
Conn.	Connector
CW	Clockwise
DGHS	Deck, Grass Handling System (number refers to size in inches)
DML	Deck, Mulching (number refers to size in inches)
DSD	Deck, Side Discharge (number refers to size in inches)
ESNA (Fastener)	Nylon Insert Locknut
FSC	Forward Speed Control
GA	Gauge
gal.	gallon
GHS	Grass Handling System
GR (Fastener)	Grade
ID	Inside Diameter
" or in. (Dimension)	inches
LH	Left Hand (orientated with operator on seat)
mm (Dimension)	millimeters
MS (Fastener)	Machine Screw
NPT	National Pipe Thread
NS (as part number)	Item is not sold by Walker Manufacturing
OD	Outside Diameter
oz.	ounce
PFHMS (Fastener)	Phillips Flat Head Machine Screw
P/N	Part Number
PPHMS (Fastener)	Phillips Pan Head Machine Screw
PPHSM (Fastener)	Phillips Pan Head Sheet Metal (Screw)
PPHST (Fastener)	Phillips Pan Head Self-Tapping (Screw)
PTHMS (Fastener)	Phillips Truss Head Machine Screw
PTO	Power Take-Off
QKS	Quick Slide
qt.	quart
RH	Right Hand (orientated with operator on seat)
SAE (Fastener)	Society of Automotive Engineers
SBH (Fastener)	Socket Button Head (Bolt)
SD	Side Discharge
SFH (Fastener)	Slotted Flat Head
SHC (Fastener)	Socket Head Cap
SHL (Fastener)	Shoulder (Bolt)
S/N	Serial Number
Spg.	Spring
SQH (Fastener)	Square Head
SS (Fastener)	Stainless Steel
Term.	Terminal

# ILLUSTRATED PARTS LIST

<i>Section of Mower Covered</i>	<i>Page</i>	<i>Section of Mower Covered</i>	<i>Page</i>
<b>Decals</b>			
Tractor Decals.....	2	GHS 7.0 Bushel Catcher & Exhaust Deflector Assemblies .....	30
<b>Body / Chassis Assemblies</b>		Optional GHS 9.5 Bushel Catcher Assembly.....	32
Body / Chassis Assembly (GHS Models).....	4	Electrical Assembly .....	34
Rear Body Assembly (GHS Models).....	6	Electrical Connectors .....	36
Body Assembly (SD Models) .....	8*	<b>Special Options</b>	
<b>Tractor Components</b>		7989 Light Kit .....	38
Main Component Power Transmission		5885 Armrest Kit & Walker Touch-Up Paint .....	40
(GHS Models).....	10	7620 Power Dump Kit (GHS Models Only).....	42
(SD Models).....	12	8651 Power Deck Lift Kit.....	44
Engine Group.....	14	8540 Tail Wheel Lock Kit.....	46
Hydrostatic Ground Drive Assemblies .....	16	8049 Wide Tail Wheel / 8072 All-Terrain Tire Kits & Tire Chain Sets .....	48
Steering Control Assemblies.....	18	<b>Maintenance</b>	
Throttle & Choke Control Assemblies .....	20	Lubrication Points.....	50
Parking Brake Assembly .....	22	Wiring Schematic .....	52
GHS Group .....	24	<b>Warranty</b>	
GHS Powerfil® Assembly .....	26	Limited Warranty .....	53
Instrument Panel Assembly .....	28		

# TRACTOR DECALS

ITEM NO.	PART NO.	DESCRIPTION	LOCATION	NO. REQ'D. GHS	NO. REQ'D SD
<b>Walker Product and Operation Decals</b>					
1	7802	RH Fender	Body, RH Side near Seat	1	1
2	5856	Made in USA	Body, Spring Bracket	1	1
3	5803	Walker Manufacturing Logo	Body	1	1
4	7825	Walker Logo	Instrument Panel Box	1*	1*
5	5813-1	Powerfil®	7.0 / 9.5 Bushel Catcher, Front	1	0
6	5801	GHS	7.0 / 9.5 Bushel Catcher (one on each side)	2	0
7	5800	Walker Mower (4 x 7-1/2)	Utility Bed (one on each side)	0	2
8	5806	Blade Clutch	Body, RH Side	1	1
<b>Danger Decals Warning Decals Caution Decals</b>					
9	5804	Danger, Rotating Blower Blades	Body near Body Chute	1	0
10	7818	Warning, Read Manual	Body	1	1
11	6810	Danger, Engine Exhaust	Engine	1	1
12	5868	Danger, Pinch Point	7.0 / 9.5 Bushel Catcher Mounting Frame Assembly (one on each side)	2	0
<b>Maintenance Decals</b>					
13	7809	Parking Brake	Body, RH Side below Seat	1	1
14	7820	Body Release Decal	Body, RH Side	1	1
15	7819	Throttle	Body, LH Side	1	1
16	8819	Choke	Body, LH Side	1	1
17	5855	Important, Engine Cooling	Engine	1	1
18	5810	Reservoir	Hydrostatic Drives (one on each)	2	2
19	5810-1	Axle Oil Level	Gear Axle Drive Assemblies (one on each)	2	2
20	5819	Blower Maintenance	Blower Housing	1	0
21	6875	PTO Alignment Arrow	Universal Joint Tube Assembly	1	1
22	7827	Oil Level	Jackshaft Support	1	1
23	5874	Push to Release	7.0 / 9.5 Bushel Catcher Safety Latch	1	0
24	8825	Front Body Closure	Rear Cross Member, Body	1	1
25	8821	20 HP	Body	1**	1**
	8822	25 HP	Body	1**	1**
26	5869	Removable Screen	7.0 / 9.5 Bushel Catcher Removable Screen	1	0
27	6811	Pre-Cleaner Jar	Glass Collection Jar, Pre-Cleaner	1	1
<b>Option Decals***</b>					
28	7633	Power Dump Switch	Body	1	0
29	8555	Tail Lock Switch	FSC Lever Assembly - Switch Mount Bracket	1	1
30	8654	Power Deck Lift Switch	Body, RH Side	1	1

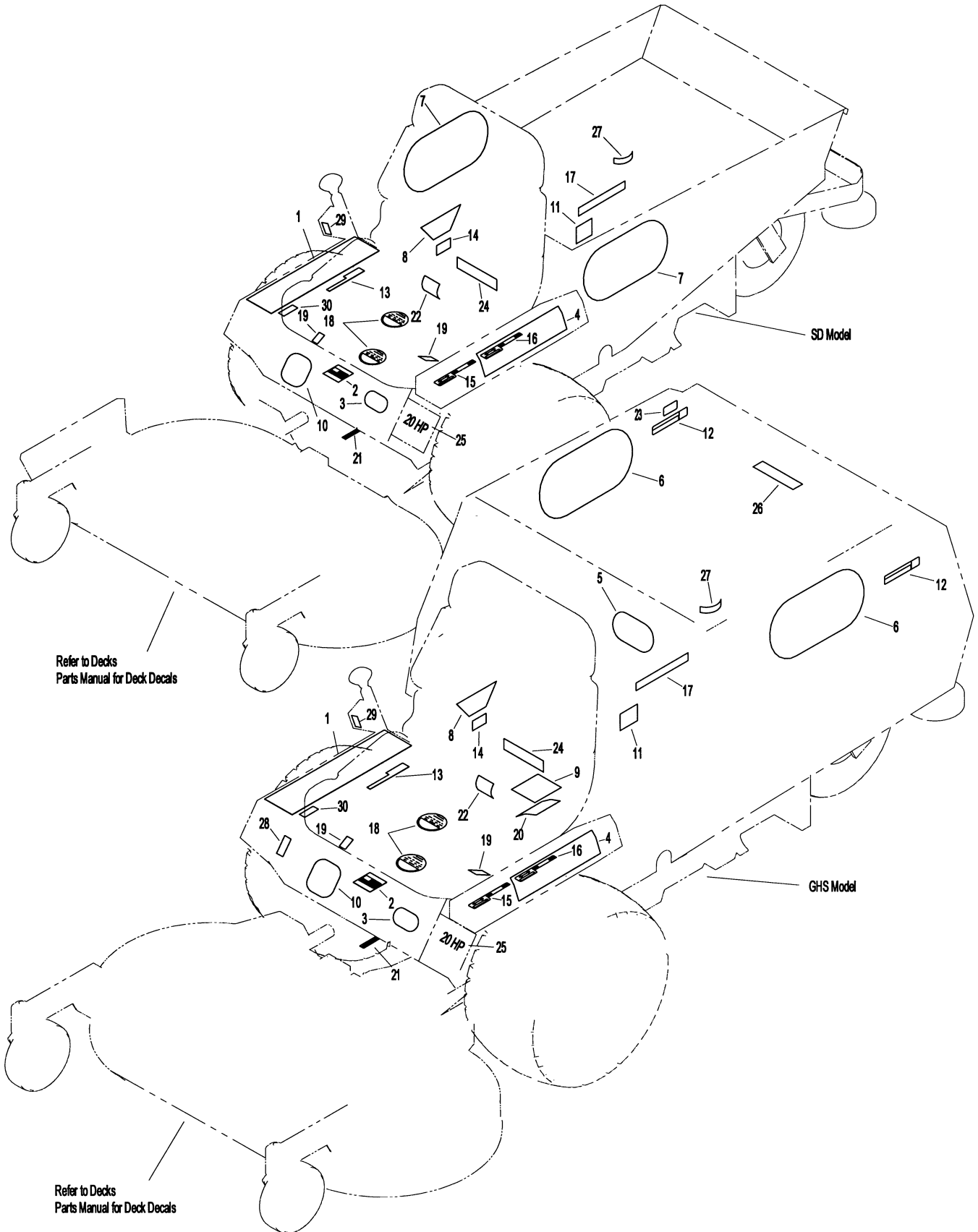
\* Used only on models prior to Serial Number 95-22445. Walker Logo is now molded directly onto Instrument Panel Box.

\*\* 20 HP Decal is Standard. 25 HP Decal furnished only with 25 HP Engine Upgrade Option.

\*\*\* Option Decals applied only to units with corresponding Options installed.

**NOTE:** All parts requiring decals are shipped with decals applied.

# TRACTOR DECALS



# BODY / CHASSIS ASSEMBLY (GHS MODELS)

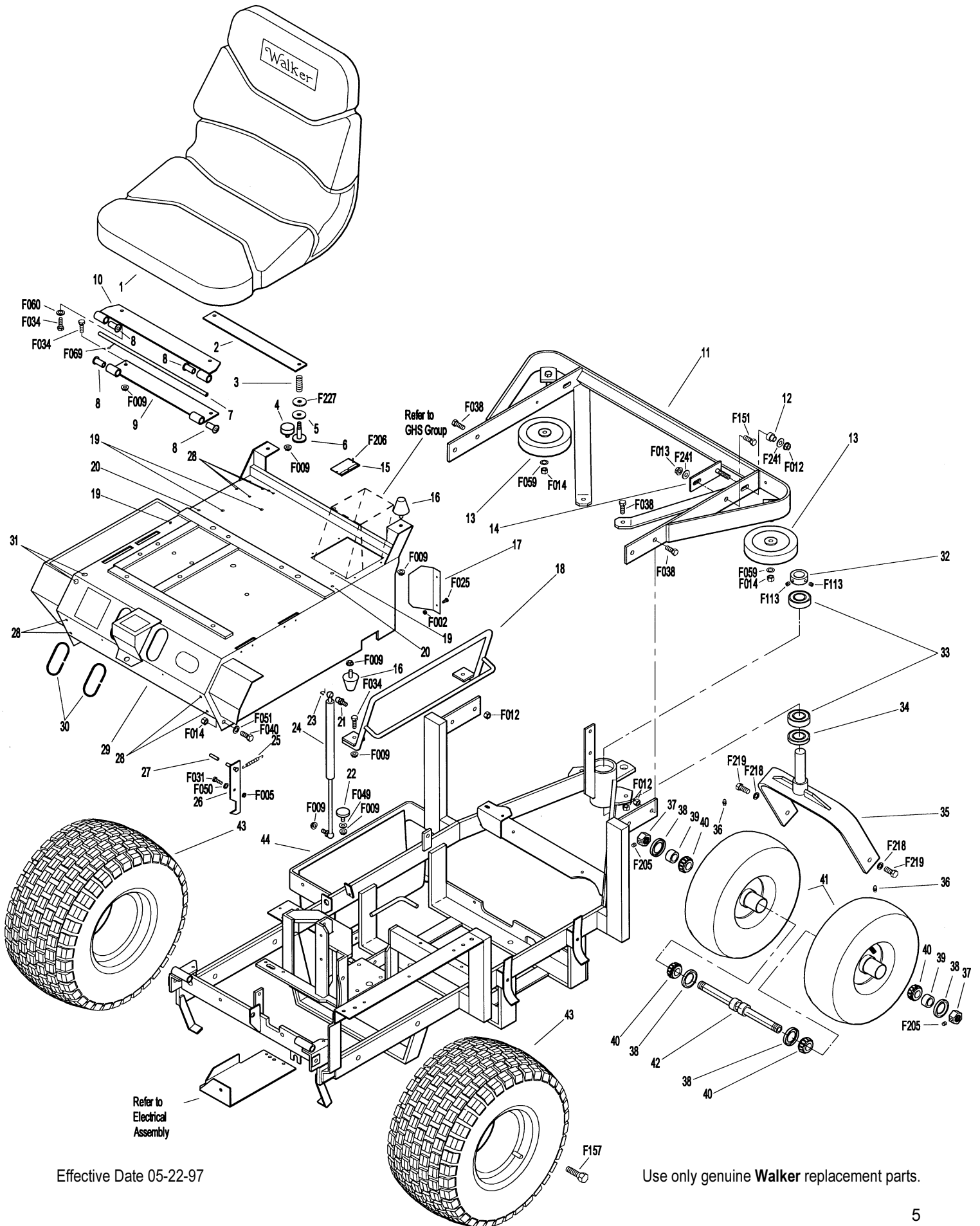
ITEM NO.	PART NO.	DESCRIPTION	NO. REQ'D	ITEM NO.	PART NO.	DESCRIPTION	NO. REQ'D
<b>Seat Assembly</b>				38	8037-1	Seal, Tail Wheel	4
1	5103	Seat	1	39	8038-1	Spacer, Tail Wheel Axle	2
2	7203	Seat Spring Plate	1	40	8037	Bearing Cone (3/4 ID)	4
3	7223	Compression Spring (1/2 x 1)	2	41	8035	Tail Wheel & Tire Assembly (13 x 5.00-6) (With Bearing Race)	2
4	7845	Rubber Bumper (1.375 OD x .63)	2		7035-1	Tire Only (13 x 5.00-6)	*
5	7846	Rubber Washer (3/8 ID x 1-1/4 OD x 1/8)	2		8036	Wheel & Hub Only (6 x 3.25) (Includes Item # 35 & Bearing Race)	*
6	7204	Shoulder Bolt, Seat Mount	2		8037-2	Bearing Race	*
7	7205-5	Pivot Pin	1	42	8038	Tail Wheel Axle (3/4 x 10-3/8)	1
8	5103-2	Pivot Bushing	4	43	7070	Wheel & Tire Assembly (18 x 9.50-8)	2
9	7205-1	Lower Plate, Seat Hinge	1		7070-1	Tire Only (18 x 9.50-8)	*
10	7205-2	Upper Plate, Seat Hinge	1		5070-4	Wheel Only (8 x 7)	*
	7205	Seat Hinge Assembly (Includes Items # 7, 8, 9, 10 & F069)	*	44	8300	Chassis Frame	1
<b>Rear Bumper Assembly (GHS Models Only)**</b>				<b>Fasteners</b>			
11	7516	Rear Bumper (7.0 / 9.5)	1	F002	10-24 Keps Nut		2
12	7516-5	Catcher Pivot Bushing	2	F005	1/4-20 ESNA Nut		1
13	5162	Roller Wheel (5")	2	F009	5/16-18 Whiz Locknut		13
14	7517-2	Catcher Pivot Plate	2	F012	3/8-16 Keps Nut		8
<b>Body Assembly</b>				F013	3/8-16 Whiz Locknut		2
15	NS	Body ID Plate	1	F014	3/8-16 ESNA Nut		4
16	5845	Bumper, Tapered (1.50 OD x 1.25)	4	F025	10-24 x 3/8 PPHMS		2
17	8118	Heat Deflector	1	F031	1/4-20 x 5/8 Hex Bolt		1
18	7422	Panel Guard	1	F034	5/16-18 x 3/4 Hex Bolt		6
19	5989-4	Dome Plug (3/8)	4	F038	3/8-16 x 1 Hex Bolt		6
20	5989-3	Dome Plug (5/16)	2	F040	3/8-16 x 1-1/2 Hex Bolt		2
21	7146	13mm Ball Stud	2	F049	5/16 SAE Washer		1
22	7844	Rubber Bumper (1.25 OD x .25)	1	F050	1/4 SAE Washer		1
23	7147	Spring Clip	2	F051	3/8 SAE Washer		2
24	7145	Gas Spring Assembly (Includes Items # 21 & 23)	1	F059	3/8 Wave Spring Washer		2
25	7222	Spring, Body Release	1	F060	AN960516 Washer		2
26	7383-1	Body Latch Hook	1	F069	3/32 x 1/2 Cotter Pin		2
27	7854	Plastic Tip, Red	1	F113	5/16-18 x 5/16 Set Screw		2
28	5989-9	Dome Plug (1/4)	10	F151	3/8-16 x 7/8 Hex Bolt		2
29	8100	Welded Body	1	F157	1/2-20 x 1-1/4 Wheel Lug Bolt		8
30	5180	Edge Molding, Lever Opening	2	F205	5/16-18 x 1/4 Set Screw, Knurl Point		2
31	5989-5	Dome Plug (7/16)	2	F206	#2 x 3/16 Drive Pin		2
<b>Chassis Assembly</b>				F218	7/16 Split Lock Washer		2
32	5267-1	Retainer Collar (1") (Includes Item # F113)	1	F219	7/16-14 x 1-1/4 Hex Bolt		2
33	5270-1	Pivot Bearing	2	F227	3/8 x 1-1/4 x 1/8 Plastic Washer		2
34	5842-1	Axle Spacer Washer	1	F241	.375 x .875 x .10 Washer		4
35	7420	Tail Wheel Fork	1				
36	5830-3	Grease Fitting (45 Degree)	2				
37	8039	Nut, Tail Wheel Axle	2				

\* Service Part Only

\*\* Rear Bumper Assembly for SD Models is not shown here. Refer to Body Assembly (SD Models), Page 8.

**NOTE:** Decals for this assembly are not shown here. Refer to Tractor Decals (Page 2) for Decal listing and placement information.

# BODY / CHASSIS ASSEMBLY (GHS MODELS)



Effective Date 05-22-97

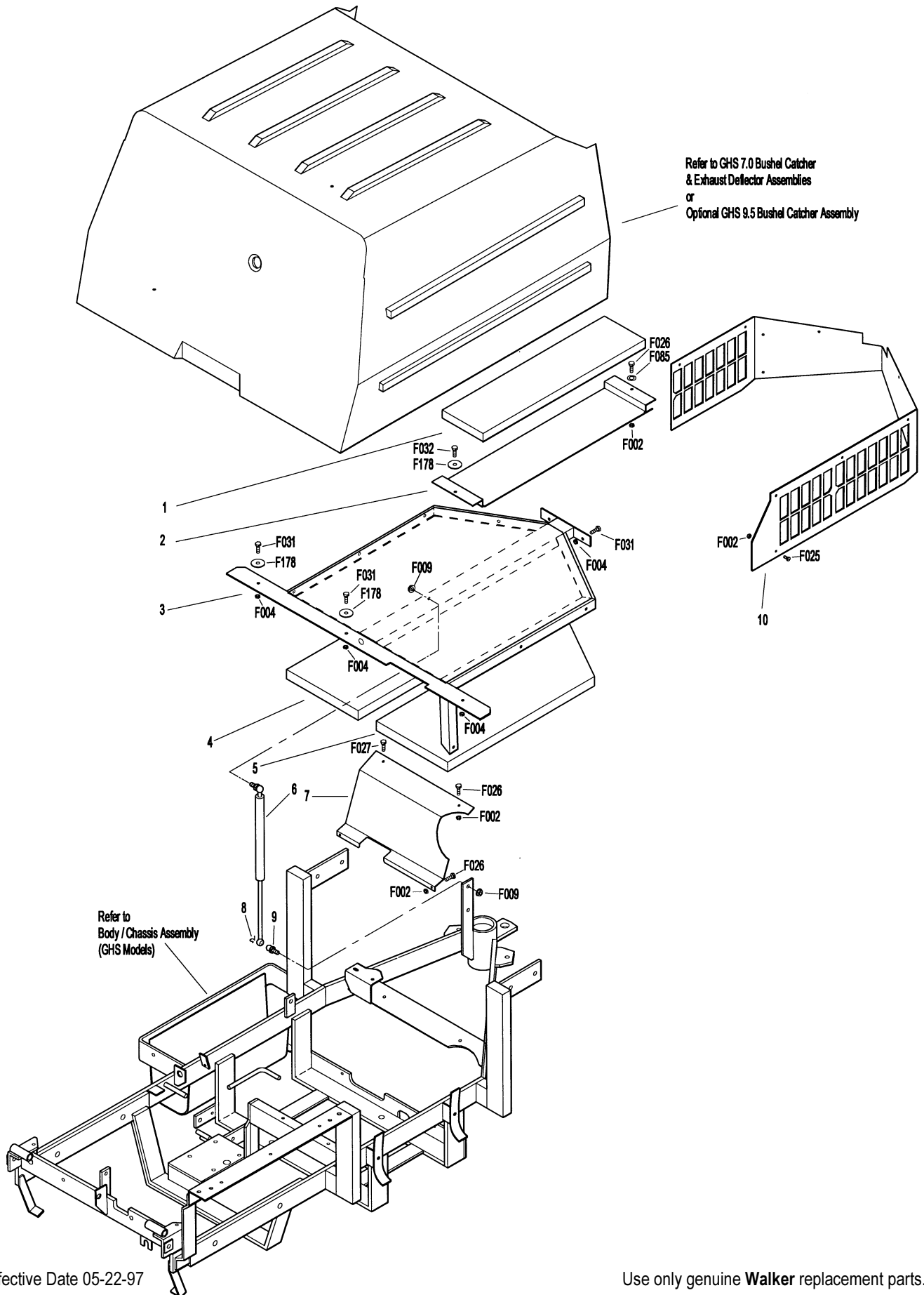
Use only genuine Walker replacement parts.

## REAR BODY ASSEMBLY (GHS MODELS)

ITEM NO.	PART NO.	DESCRIPTION	NO. REQ'D	ITEM NO.	PART NO.	DESCRIPTION	NO. REQ'D
<b>Rear Body Assembly (GHS Models)</b>				<b>Fasteners</b>			
1	7190-3	Insulation Foam Pad (5 x 20)	1		F002	10-24 Keps Nut	13
2	8082	Heat Shield	1		F004	1/4-20 Keps Nut	5
3	8515-1	Catcher Support Frame (Prior to S/N 97-31199)	1		F009	5/16-18 Whiz Locknut	2
	8515-3	Catcher Support Frame (S/N 97-31199 and on)	1		F025	10-24 x 3/8 PPHMS	8
					F026	10-24 x 1/2 PPHMS	4
					F027	10-24 x 5/8 PPHMS	1
4	7190-2	Insulation Foam Pad, RH	1		F031	1/4-20 x 5/8 Hex Bolt	4
5	7190-1	Insulation Foam Pad, LH	1		F032	1/4-20 x 3/4 Hex Bolt	1
6	7145	Gas Spring Assembly (Includes Items # 8 & 9)	1		F085	3/16 Rivet Backup Washer	1
					F178	1/4 x 1 Fender Washer	3
7	8389-2	Splash Guard	1				
8	7147	Spring Clip	2				
9	7146	13mm Ball Stud	2				
10	8105	Rear Body Panel (Prior to S/N 97-31199)	1				
	8105-1	Rear Body Panel (S/N 97-31199 and on)	1				
						<b>NOTE:</b> Rear Bumper Assembly for GHS Models is not shown here. Refer to Body / Chassis Assembly (GHS Models), Page 4.	
						<b>NOTE:</b> Decals for this assembly are not shown here. Refer to Tractor Decals (Page 2) for Decal listing and placement information.	



# REAR BODY ASSEMBLY (GHS MODELS)



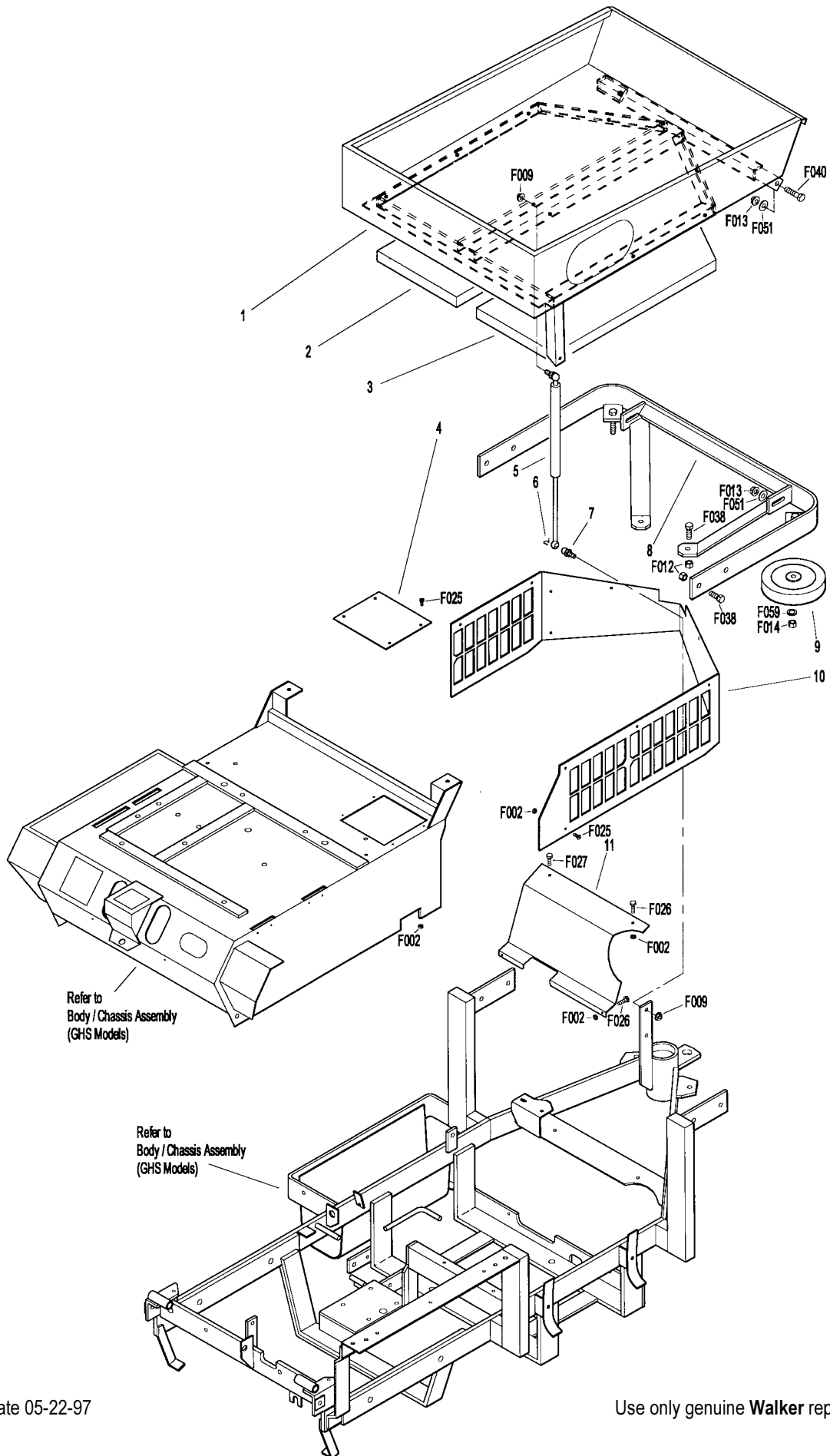
Effective Date 05-22-97

Use only genuine Walker replacement parts.

## BODY ASSEMBLY (SD MODELS)

ITEM NO.	PART NO.	DESCRIPTION	NO. REQ'D	ITEM NO.	PART NO.	DESCRIPTION	NO. REQ'D
<b>Utility Bed Assembly</b>				<b>Fasteners</b>			
1	8650	Utility Bed (Prior to S/N 97-31199)	1	F002		10-24 Keps Nut	16
	8650-2	Utility Bed (S/N 97-31199 and on)	1	F009		5/16-18 Whiz Locknut	2
2	7190-2	Insulation Foam Pad, RH	1	F012		3/8-16 Keps Nut	6
3	7190-1	Insulation Foam Pad, LH	1	F013		3/8-16 Whiz Locknut	4
				F014		3/8-16 ESNA Nut	2
				F025		10-24 x 3/8 PPHMS	12
				F026		10-24 x 1/2 PPHMS	3
				F027		10-24 x 5/8 PPHMS	1
				F038		3/8-16 x 1 Hex Bolt	6
				F040		3/8-16 x 1-1/2 Hex Bolt	2
				F051		3/8 SAE Washer	4
				F059		3/8 Wave Spring Washer	2
<b>Rear Bumper Assembly (SD Models)</b>				<b>NOTE:</b> Refer to Body / Chassis Assembly (GHS Models), Page 4, for all common parts used on both models.			
4	7153-2	Cover Plate	1	<b>NOTE:</b> Decals for this assembly are not shown here. Refer to Tractor Decals (Page 2) for Decal listing and placement information.			
5	7145	Gas Spring Assembly (Includes Items # 6 & 7)	1				
6	7147	Spring Clip	2				
7	7146	13mm Ball Stud	2				
8	7521	Rear Bumper	1				
9	5162	Roller Wheel (5")	2				
10	8105	Rear Body Panel (Prior to S/N 97-31199)	1				
	8105-1	Rear Body Panel (S/N 97-31199 and on)	1				
11	8389-2	Splash Guard	1				

# BODY ASSEMBLY (SD MODELS)



# MAIN COMPONENT POWER TRANSMISSION (GHS MODELS)

ITEM NO.	PART NO.	DESCRIPTION	NO. REQ'D	ITEM NO.	PART NO.	DESCRIPTION	NO. REQ'D
<b>Clutch Lever Assembly</b>				44	5268	Bearing (3/4)	2
1	8358	Clutch Lever (Includes Items # 2 & 3)	1	45	7241-2	Transmission Drive Pulley, Micro-V (Includes Item # F171)	1
2	5830	Grease Fitting	5	46	8349	Transmission Belt Tightener Arm	1
3	7860	Handle Grip	1	47	8393	Jackshaft Support	1
4	7303-7	Clutch Actuator Rod	1	48	8273	Jackshaft (3/4 x 7-1/2)	1
5	7380	Knuckle Joint	1	49	7240-1	Jackshaft Drive Pulley (Includes Item # F171)	1
6	7226	Compression Spring (3/4 x 2-1/2)	1		7240-2	Jackshaft Drive Pulley (2-3/4 / 3V)	*
7	5841	Retainer Washer	4	<b>Fasteners</b>			
8	8130	Push Rod, Clutch Actuator	1		F003	1/4-28 Hex Nut	2
9	7201-1	Needle Bearing	6		F004	1/4-20 Keps Nut	5
10	7201	Bearing Inner Race	6		F005	1/4-20 ESNA Nut	1
11	8368	PTO Belt Tightener	1		F007	5/16-18 Jam Nut	1
12	8367	Bearing Spacer Tube (3/4)	1		F009	5/16-18 Whiz Locknut	3
13	8243	Clutch Idler Pulley Assembly (Includes Items # 13, 14, 15 & F070)	1		F012	3/8-16 Keps Nut	8
	8243-1	Clutch Idler Pulley	1		F029	1/4-20 x 1/2 Hex Bolt	3
14	5265	Bearing (3/4)	1		F035	5/16-18 x 1-1/4 Hex Bolt	2
15	8243-3	Hub, Idler Pulley	1		F040	3/8-16 x 1-1/2 Hex Bolt	1
16	8375	PTO Belt Tightener Stop	1		F041	3/8-16 x 1-3/4 Hex Bolt	2
17	7377	Plastic Washer (1 x .438 x .025)	2		F042	3/8-16 x 2-1/4 Hex Bolt	3
18	7378	Pivot Bearing (7/16 x 9/16)	1		F043	3/8-16 x 3 Hex Bolt	1
19	5281-5	Clevis Pin (1/4 x 0.80)	2		F047	3/8-16 x 4-1/2 Hex Bolt	1
20	5280	Clevis (1/4)	2		F054	AN960616 Washer	1
21	8305	Brake Actuator Rod	1		F060	AN960516 Washer	2
22	8370	Bearing, Brake Actuator	1		F061	1/4 Internal Star Lock Washer	1
23	8250	Brake Spring (1/2 x 2-1/2)	1		F067	3/16 x 3/16 x 1 Key	2
24	8369	Brake Actuator (Includes Items # 2 & 22)	1		F069	3/32 x 1/2 Cotter Pin	2
<b>PTO Drive Shaft Assembly</b>					F070	1-3/4 Internal Snap Ring	1
25	7050-1	Dipstick, Gearbox	1		F075	5/16-18 x 1/2 SQH Set Screw	1
26	8371	Mount Bracket, Brake Band	1		F114	5/16-18 x 5/8 SQH Set Screw	1
27	8377	Brake Band Guide	1		F116	1/4-20 x 1-1/4 Hex Bolt	1
28	8050	PTO Gearbox	1		F121	5/16-18 x 3/8 x 1 SHL Bolt	1
29	5245	Idler Pulley (3")	2		F131	5/16-18 x 1/2 Hex Bolt	2
30	7248	Ground Drive Belt, Micro-V	1		F132	1/4-20 x 2-3/4 Hex Bolt	1
31	7275	Universal Joint Tube Assembly	1		F135	3/16 x 3/16 x 1-3/4 Key	1
32	7523-2	Clevis Pin (1/4 x 5/8)	1		F163	5/16-18 x 3/4 SQH Set Screw	2
33	8304	Brake Band (14-1/2)	1		F168	5/16 Split Lock Washer	6
34	6231	Drive Belt (3VX355)	1		F171	5/16-18 x 3/8 Set Screw	4
35	7236	PTO Drive Pulley (Includes Items # F075 & F114)	1		F178	1/4 x 1 Fender Washer	1
36	8237	Engine Pulley (Includes Item # F163)	1		F182	5/8 x 1/4 x 1/8 Washer	2
37	8230	Engine PTO Belt	1		F186	5/64 x 1/2 Cotter Pin	1
<b>8638 Cold Start Kit*</b>					F226	5/16-18 x 7/8 Hex Bolt	6
38	7406-1	Handle Grip (Red)	1		F240	1/4 x 1/4 x 2-1/4 Key	1
39	8638-1	Idler Release (Includes Items # 2 & 38)	1		F241	.375 x .875 x .10 Washer	1
<b>Jackshaft Assembly</b>					F288	5/16-18 ESNA Jam Nut	1
40	7245-1	Idler Pulley (3/8 Groove)	1		F325	1/4-20 x 3 Hex Bolt	1
41	6325-2	Spacer Bushing (5/16)	2	* May be ordered as a factory-installed option or as a kit for dealer installation. Contact your Walker dealer.			
42	7349-1	Idler Arm	1	<b>NOTE:</b> Decals for this assembly are not shown here. Refer to Tractor Decals (Page 2) for Decal listing and placement information.			
43	5221	Extension Spring (3/4 x 4)	2				

Use only genuine **Walker** replacement parts.

Effective Date 05-22-97



# MAIN COMPONENT POWER TRANSMISSION (SD MODELS)

ITEM NO.	PART NO.	DESCRIPTION	NO. REQ'D	ITEM NO.	PART NO.	DESCRIPTION	NO. REQ'D
<b>Clutch Lever Assembly</b>				44	5268	Bearing (3/4)	2
1	8358	Clutch Lever (Includes Items # 2 & 3)	1	45	7241-2	Transmission Drive Pulley, Micro-V (Includes Item # F171)	1
2	5830	Grease Fitting	5	46	8349	Transmission Belt Tightener Arm	1
3	7860	Handle Grip	1	47	8393	Jackshaft Support	1
4	7303-7	Clutch Actuator Rod	1	48	8273	Jackshaft	1
5	7380	Knuckle Joint	1	49	7240-1	Jackshaft Drive Pulley (Includes Item # F171)	1
6	7226	Compression Spring (3/4 x 2-1/2)	1		7240-2	Jackshaft Drive Pulley (2-3/4 / 3V)	*
7	5841	Retainer Washer	4	<b>Fasteners</b>			
8	8130	Push Rod, Clutch Actuator	1		F003	1/4-28 Hex Nut	2
9	7201-1	Needle Bearing	6		F004	1/4-20 Keps Nut	5
10	7201	Bearing Inner Race	6		F005	1/4-20 ESNA Nut	1
11	8368	PTO Belt Tightener	1		F007	5/16-18 Jam Nut	1
12	8367	Bearing Spacer Tube (3/4)	1		F009	5/16-18 Whiz Locknut	3
13	8243	Clutch Idler Pulley Assembly (Includes Items # 13, 14, 15 & F070)	1		F012	3/8-16 Keps Nut	8
	8243-1	Clutch Idler Pulley	1		F029	1/4-20 x 1/2 Hex Bolt	3
14	5265	Bearing (3/4)	1		F035	5/16-18 x 1-1/4 Hex Bolt	2
15	8243-3	Hub, Idler Pulley	1		F040	3/8-16 x 1-1/2 Hex Bolt	1
16	8375	PTO Belt Tightener Stop	1		F041	3/8-16 x 1-3/4 Hex Bolt	2
17	7377	Plastic Washer (1 x .438 x .025)	2		F042	3/8-16 x 2-1/4 Hex Bolt	3
18	7378	Pivot Bearing (7/16 x 9/16)	1		F043	3/8-16 x 3 Hex Bolt	1
19	5281-5	Clevis Pin (1/4 x 0.80)	2		F047	3/8-16 x 4-1/2 Hex Bolt	1
20	5280	Clevis (1/4)	2		F054	AN960616 Washer	1
21	8305	Brake Actuator Rod	1		F060	AN960516 Washer	2
22	8370	Bearing, Brake Actuator	1		F061	1/4 Internal Star Lock Washer	1
23	8250	Brake Spring (1/2 x 2-1/2)	1		F067	3/16 x 3/16 x 1 Key	2
24	8369	Brake Actuator (Includes Items # 2 & 22)	1		F069	3/32 x 1/2 Cotter Pin	2
<b>PTO Drive Shaft Assembly</b>					F070	1-3/4 Internal Snap Ring	1
25	7050-1	Dipstick, Gearbox	1		F075	5/16-18 x 1/2 SQH Set Screw	1
26	8371	Mount Bracket, Brake Band	1		F090	1/4-20 x 2-1/2 Hex Bolt	1
27	8377	Brake Band Guide	1		F114	5/16-18 x 5/8 SQH Set Screw	1
28	8050	PTO Gearbox	1		F116	1/4-20 x 1-1/4 Hex Bolt	1
29	5245	Idler Pulley (3")	2		F121	5/16-18 x 3/8 x 1 SHL Bolt	1
30	7248	Ground Drive Belt, Micro-V	1		F131	5/16-18 x 1/2 Hex Bolt	2
31	7275	Universal Joint Tube Assembly	1		F132	1/4-20 x 2-3/4 Hex Bolt	1
32	7523-2	Clevis Pin (1/4 x 5/8)	1		F135	3/16 x 3/16 x 1-3/4 Key	1
33	8304	Brake Band (14-1/2)	1		F163	5/16-18 x 3/4 SQH Set Screw	2
34	6231	Drive Belt (3VX355)	1		F168	5/16 Split Lock Washer	6
35	7236	PTO Drive Pulley (Includes Items # F075 & F114)	1		F171	5/16-18 x 3/8 Set Screw	4
36	8237	Engine Pulley (Includes Item # F163)	1		F178	1/4 x 1 Fender Washer	1
37	8230	Engine PTO Belt	1		F182	5/8 x 1/4 x 1/8 Washer	2
<b>8638 Cold Start Kit*</b>					F186	5/64 x 1/2 Cotter Pin	1
38	7406-1	Handle Grip (Red)	1		F226	5/16-18 x 7/8 Hex Bolt	6
39	8638-1	Idler Release (Includes Items # 2 & 38)	1		F240	1/4 x 1/4 x 2-1/4 Key	1
<b>Jackshaft Assembly</b>					F241	.375 x .875 x .10 Washer	1
40	7245-1	Idler Pulley (3/8 Groove)	1		F288	5/16-18 ESNA Jam Nut	1
41	6325-2	Spacer Bushing (5/16)	2	* May be ordered as a factory-installed option or as a kit for dealer installation. Contact your Walker dealer.			
42	7349-1	Idler Arm	1	<b>NOTE:</b> Decals for this assembly are not shown here. Refer to Tractor Decals (Page 2) for Decal listing and placement information.			
43	5221	Extension Spring (3/4 x 4)	2				

Use only genuine **Walker** replacement parts.

Effective Date 05-22-97



# ENGINE GROUP

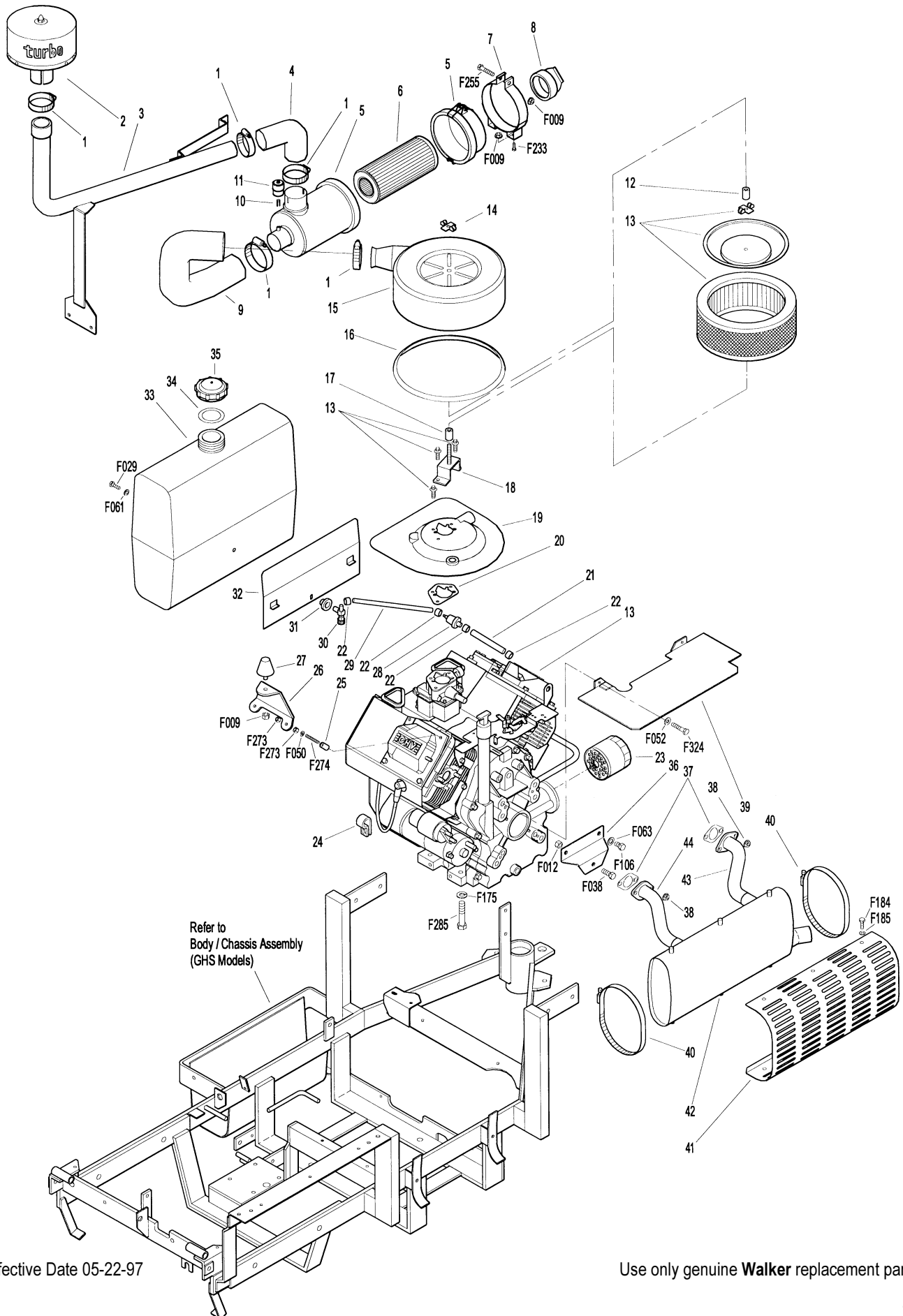
ITEM NO.	PART NO.	DESCRIPTION	NO. REQ'D	ITEM NO.	PART NO.	DESCRIPTION	NO. REQ'D
<b>Precleaner Assembly</b>				<b>Exhaust Assembly</b>			
1	7840	Hose Clamp (1-5/6 to 2-1/4)	5	36	8021	Engine Brace	1
2	7026-2	Turbo Precleaner (Includes Item # 1)	1	37	NS	Gasket ( Kohler 240410 )	2
3	7028-1	Precleaner Tube (Uses Existing Fasteners at Clutch Lever)	1	38	NS	Nut (Kohler M-0841080)	4
4	7027	Elbow, Precleaner	1	39	8530	Muffler Grass Shield	1
5	5088	Air Cleaner	1	40	8897	Muffler Band Clamp	2
6	5090-1	Air Cleaner Cartridge	1	41	8013-5	Muffler Heat Shield	1
7	5088-1	Air Cleaner Band	1	42	8013-1	Muffler	1
8	5090-2	Vacuator Valve	1	43	8013-4	Exhaust Pipe, Rear	1
9	8026	Air Hose, Cleaner (MT)	1	44	8013-6	Exhaust Pipe, Front	1
10	5092	Close Nipple, 3/4 (1/8 NPT)	1	<b>Fasteners</b>			
11	5091	Air Flow Indicator	1				
<b>Engine Assembly</b>					F009	5/16-18 Whiz Locknut	5
12	NS	Seal, 7/16 (Kohler 4103202)	1	F012	3/8-16 Keps Nut	1	
13	NS	20-hp Engine	1	F029	1/4-20 x 1/2 Hex Bolt	2	
	NS	25-hp Engine (Optional or Exchange)	*	F038	3/8-16 x 1 Hex Bolt	1	
14	NS	Wing Nut (Kohler 1210001)	1	F050	1/4 SAE Washer	2	
15	NS	Cover (Kohler 2409610) (Includes Item #16)	1	F052	5/16 External Star Lock Washer	2	
16	NS	Air Cleaner Cover Seal (Kohler 2474318)	1	F061	1/4 Internal Star Lock Washer	2	
17	NS	Seal, 3/4 (Kohler 230046)	1	F063	3/8 Internal Star Lock Washer	2	
18	NS	Bracket (Kohler 2412622)	1	F106	3/8-16 x 5/8 Hex Bolt	2	
19	NS	Base (Kohler 2409405)	1	F175	1/2 Split Lock Washer	4	
20	NS	Gasket (Kohler 2404106)	1	F184	1/4-20 x 1/2 Hex Bolt SS	6	
21	8015-1	Fuel Line, Engine	**	F185	1/4 Internal Star Lock SS	6	
22	5879-3	Hose Clamp (1/2)	4	F233	M8 x 1.25 x 16 Hex Bolt	1	
23	NS	Oil Filter (Kohler 1205001)	1	F255	5/16-18 x 1-1/2 Hex Bolt	1	
24	5833	Cable Clamp (1/4) (Uses Existing Fasteners at Engine)	1	F273	M6 x 1.0 Nut	4	
25	8010-6	Valve Cover Sleeve	2	F274	M6 x 1.0 45 Stud	2	
26	8010-2	Engine Bumper Mount	1	F285	1/2-13 x 1-1/2 Hex Bolt	4	
27	5845	Bumper, Tapered (1.50 OD x 1.25)	1	F324	M8 x 1.25 x 12 Hex Bolt	2	
28	5020	Fuel Filter	**	* May be ordered as a factory-installed option or as a kit for dealer installation. Contact your Walker dealer.			
<b>Fuel Tank Assembly</b>				** Service Part Only			
29	8015	Fuel Line, Tank	1	<b>NOTE:</b> Items #12 & 14-20 are available as a complete kit by ordering Kohler P/N 2477521.			
30	5083	Fuel Shut-Off Valve	**	<b>NOTE:</b> Refer to Kohler Engine Decal (NS) for Engine Identification Numbers.			
31	5083-1	Bushing, Rubber	**	<b>NOTE:</b> Decals for this assembly are not shown here. Refer to Tractor Decals (Page 2) for Decal listing and placement information.			
32	8023	Fuel Tank Support	1				
33	8046	Fuel Tank, 4.3 Gallon, Gas (Includes Items # 22, 31, 34 & 35)	1				
34	5082-2	Fuel Cap Seal	**				
35	5082	Fuel Tank Cap (Includes Item # 34)	**				

Use only genuine **Walker** replacement parts.

Effective Date 05-22-97



# ENGINE GROUP



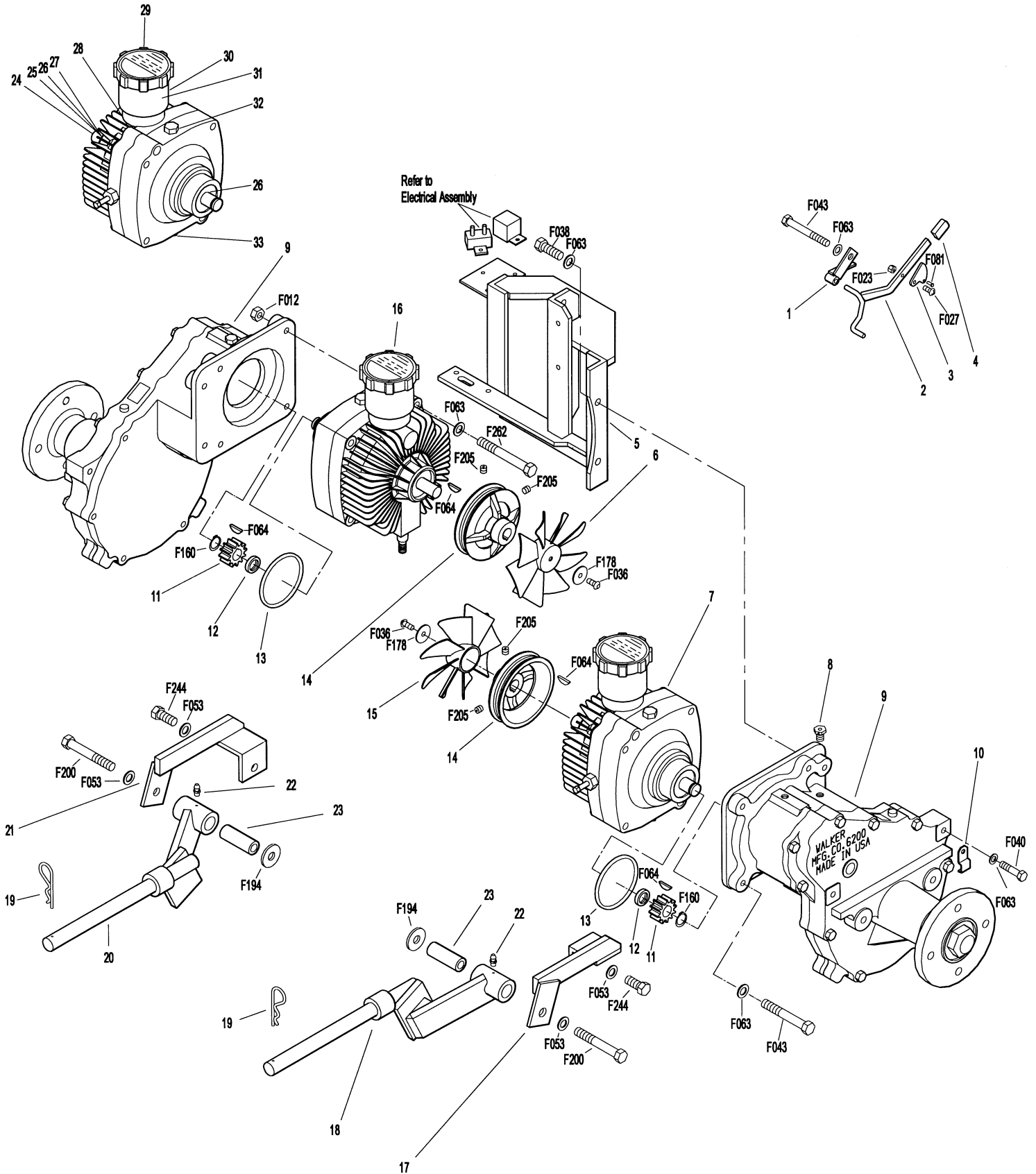
Effective Date 05-22-97

Use only genuine Walker replacement parts.

# HYDROSTATIC GROUND DRIVE ASSEMBLIES

ITEM NO.	PART NO.	DESCRIPTION	NO. REQ'D	ITEM NO.	PART NO.	DESCRIPTION	NO. REQ'D
<b>Transmission Lockout Assembly</b>				<b>Transmission Repair Parts*</b>			
1	5027	Lockout Mount	2	24	5025-5	Input Shaft	*
	5028-3	Transmission Lockout Assembly (Includes Items # 1, 2, 3, 4, F023 & F027)	*	25	5025-8	Bearing, Input	*
2	5028	Lockout Lever	2	26	5025-7	Snap Ring	*
3	5057	Lockout Cam (Includes Item # F081)	2	27	5025-2	Seal, Input Shaft	*
4	5847	Plastic Tip, Lockout Lever	2	28	5022	Reservoir to Casting Gasket	*
				29	5024	Reservoir Cap and Gasket	*
				30	5023	Transmission Reservoir Kit	*
				31	5023-1	Rubber Bladder	*
				32	5025-6	O-Ring & Plug Assembly	*
				33	5025-3	Seal, Control Shaft	*
<b>Ground Drive Assemblies</b>				<b>Fasteners</b>			
5	7209	Bridge Assembly	1	F012	3/8-16 Keps Nut		1
6	6243-2	Hydro Fan, CCW	1	F023	10-24 ESNA Nut		2
7	5026	Hydrostatic Drive, CW (700-031)	1	F027	10-24 x 5/8 PPHMS		2
8	6206	Pressure Relief Valve	*	F036	1/4-20 x 1/2 SBH Screw		2
9	6200-5	Gear Axle Drive Assembly (Includes Item # 8)	2	F038	3/8-16 x 1 Hex Bolt		4
10	5126	Cable Retainer	1	F043	3/8-16 x 3 Hex Bolt		7
11	6233-1	Pinion Gear	2	F053	7/16 Internal Star Lock Washer		4
12	6234	Spacer, Pinion Gear	2	F063	3/8 Internal Star Lock Washer		12
13	6201	O-Ring Seal	2	F064	1/8 x 1/2 Woodruff Key (#3)		4
14	7244	Hydro Pulley (3-7/8)	2	F081	A/A45D Aluminum Pop Rivet		2
15	6243-1	Hydro Fan, CW	1	F160	External Snap Ring (.669 Shaft)		2
16	5025	Hydrostatic Drive, CCW (700-032)	1	F178	1/4 x 1 Fender Washer		2
				F194	7/16 x 1-1/4 x 1/8 Washer		2
				F200	7/16-20 x 3 Grade 8 Bolt		2
				F205	5/16-18 x 1/4 Set Screw, Knurl Point		4
				F244	7/16-20 x 3/4 Hex Bolt		2
				F262	3/8-16 x 4 Hex Bolt (Spec) All Thread		1
<b>Deck Support Arm Assemblies</b>				* Service Part Only			
17	6430-10	Outboard Mount, LH	1	<b>NOTE:</b> Decals for this assembly are not shown here. Refer to Tractor Decals (Page 2) for Decal listing and placement information.			
18	6430-2	Deck Support Arm, LH (Includes Item # 22)	1				
19	5775-2	Hitch Pin (#6)	2				
20	6430-1	Deck Support Arm, RH (Includes Item # 22)	1				
21	6430-9	Outboard Mount, RH	1				
22	5830	Grease Fitting	2				
23	6840-1	Support Arm Bushing	2				

# HYDROSTATIC GROUND DRIVE ASSEMBLIES



Effective Date 05-22-97

Use only genuine Walker replacement parts.

# STEERING CONTROL ASSEMBLIES

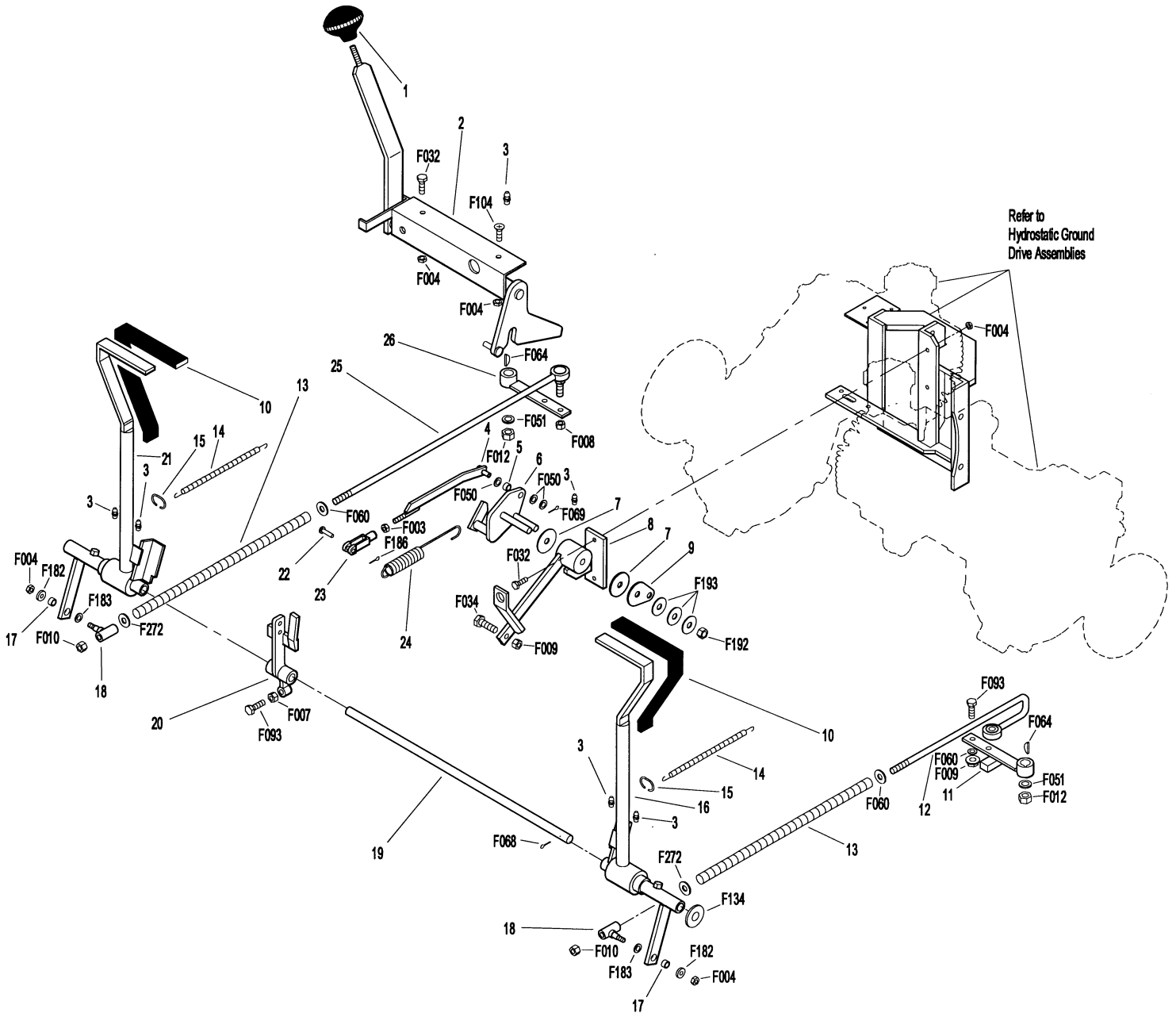
ITEM NO.	PART NO.	DESCRIPTION	NO. REQ'D	ITEM NO.	PART NO.	DESCRIPTION	NO. REQ'D
<b>Steering Lever &amp; FSC Assemblies</b>				<b>Fasteners</b>			
1	5862	FSC Knob	1	F003		1/4-28 Hex Nut	1
2	7170	FSC Lever Assembly (Includes Item # 3)	1	F004		1/4-20 Keps Nut	6
3	5830	Grease Fitting	6	F007		5/16-18 Jam Nut	1
4	5173	FSC Actuator Rod	1	F008		5/16-24 Keps Nut	1
5	5172	Bearing, Nylon (.255 ID x .379 OD x .250)	1	F009		5/16-18 Whiz Locknut	2
6	5142-2	FSC Actuator Cam	1	F010		5/16-24 ESNA Nut	2
7	5141	FSC Friction Washer	2	F012		3/8-16 Keps Nut	2
8	5140	FSC Friction Body (Includes Item # 3)	1	F032		1/4-20 x 3/4 Hex Bolt	3
9	5142-5	FSC Key	1	F034		5/16-18 x 3/4 Hex Bolt	1
	5140-3	FSC Control Assembly (Includes Items # 3, 6, 7, 8, 9, F192 & F193)	*	F050		1/4 SAE Washer	3
10	5850	Handle Grip, Foam	2	F051		3/8 SAE Washer	2
11	5212-5	Transmission Control Arm, LH	1	F060		AN960516 Washer	3
12	7214	Control Rod, LH	1	F064		1/8 x 1/2 Woodruff Key (#3)	2
13	7221	Compression Spring (1/2 x 11-1/4) (Transmission Control)	2	F068		1/8 x 1 Cotter Pin	1
14	5223	Extension Spring (1/4 x 5-1/2)	2	F069		3/32 x 1/2 Cotter Pin	1
15	5450	D-Clip	2	F093		5/16-18 x 1 Hex Bolt	2
16	5451-2	Steering Lever, LH (Includes Item # 3)	1	F104		1/4-20 x 3/4 PFH Bolt	1
17	5214-1	Bearing, Steering Lever Actuator	2	F134		AN960816L Washer	3**
18	5463	Steering Lever Actuator	2	F182		1/4 x 5/8 x 1/8 Washer	2
19	5217	Pivot Pin, Steering Lever	1	F183		.312 x .700 x .074 Washer	2
20	5470-1	Speed Control Stop	1	F186		5/64 x 1/2 Cotter Pin	1
21	5450-2	Steering Lever, RH (Includes Item # 3)	1	F192		3/8-24 Self-Locking Nut	1
22	5281-5	Clevis Pin (1/4 x 0.80)	1	F193		3/8 Belleville Spring Washer	3
23	5280	Clevis (1/4)	1	F272		.347 x .870 x .110 Washer	2
24	5219	Extension Spring (3/4 x 6-3/4)	1				
25	7213	Control Rod, RH	1				
26	5212	Transmission Control Arm, RH	1				

\* Service Part Only

\*\* Average number used per assembly. Adjust as required.

**NOTE:** Decals for this assembly are not shown here. Refer to Tractor Decals (Page 2) for Decal listing and placement information.

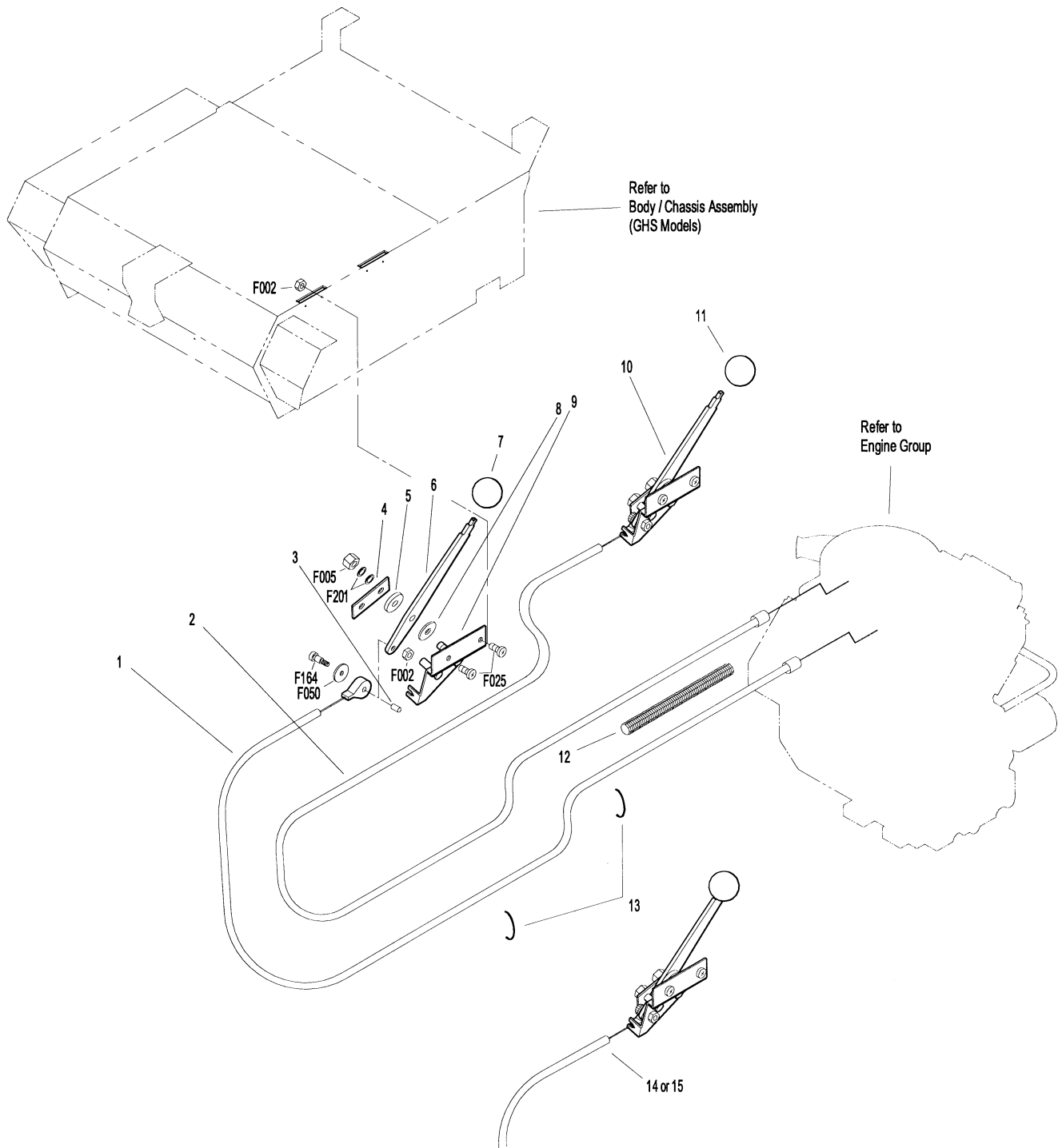
# STEERING CONTROL ASSEMBLIES



# THROTTLE & CHOKE CONTROL ASSEMBLIES

ITEM NO.	PART NO.	DESCRIPTION	NO. REQ'D	ITEM NO.	PART NO.	DESCRIPTION	NO. REQ'D
<b>Throttle &amp; Choke Control Assemblies</b>				15	8122	Choke Control and Cable Assembly (Complete Control and Cable Assembly)	*
1	8121-1	Throttle Cable	1	<b>Fasteners</b>			
2	8122-1	Choke Cable	1		F002	10-24 Keps Nut	6
3	5172	Nylon Bearing	2		F005	1/4-20 ESNA Nut	2
4	5108-7	Control Lock Tab	2		F025	10-24 x 3/8 PPHMS	4
5	5108-10	Friction Washer (.125)	2		F050	1/4 SAE Washer	2
6	5108-1	Control Lever, Throttle & Choke	2		F164	10-24 x 1/4 x 3/8 SHL Bolt	2
7	5108-5	Throttle Control Knob, Red	1		F201	1/4 Belleville Spring Washer	4
8	5108-11	Friction Washer (.062)	2	* Service Part Only			
9	5108-8	Control Bracket	2	<b>NOTE:</b> Decals for this assembly are not shown here. Refer to Tractor Decals (Page 2) for Decal listing and placement information.			
10	7108	Control Assembly, Throttle & Choke	2				
11	5108-6	Choke Control Knob, Black	1				
12	8123	Insulation Sleeve (3/8 x 6)	1				
13	5975-1	Cable Tie (#18 x 3-3/4")	2				
14	8121	Throttle Control and Cable Assembly (Complete Control and Cable Assembly)	*				

# THROTTLE & CHOKE CONTROL ASSEMBLIES

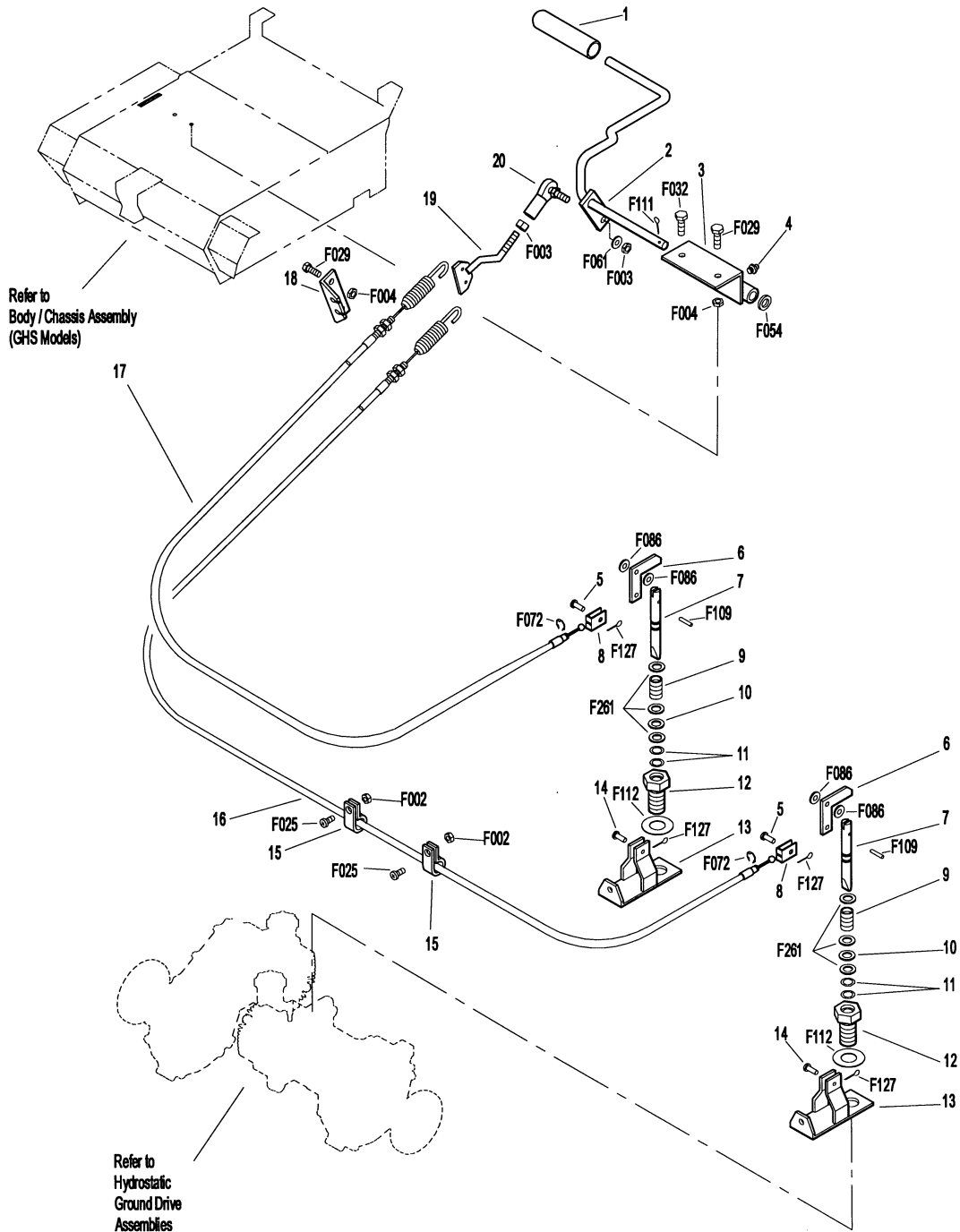


# PARKING BRAKE ASSEMBLY

ITEM NO.	PART NO.	DESCRIPTION	NO. REQ'D	ITEM NO.	PART NO.	DESCRIPTION	NO. REQ'D
<b>Parking Brake Assembly</b>				<b>Fasteners</b>			
1	7406-1	Handle Grip, Red	1	F002		10-24 Keps Nut	2
2	7406-5	Parking Brake Lever	1	F003		1/4-28 Hex Nut	2
3	7406-2	Lever Mount	1	F004		1/4-20 Keps Nut	4
4	5830	Grease Fitting	1	F025		10-24 x 3/8 PPHMS	2
5	7407	Clevis Pin (3/16 x 1/2)	2	F029		1/4-20 x 1/2 Hex Bolt	3
6	7404	Brake Actuator Arm	2	F032		1/4-20 x 3/4 Hex Bolt	1
7	7405	Pin, Transmission Lock	2	F054		AN960616 Washer	1
8	7402	Clevis	2	F061		1/4 Internal Star Lock Washer	1
9	7408	Compression Spring (1/2 x 3/4)	2	F072		1/4 "E" Retainer Ring	2
10	7415	Rubber Dust Shield (5/8 x 3/8 x 1/32)	2	F086		#10 SAE Washer	4
11	5567-3	O-Ring Seal (1/4 x 3/8)	4	F109		1/8 x 5/8 Roll Pin	2
12	7403	Plunger Bushing, Gear Axle	2	F111		1/8 x 3/4 Cotter Pin	1
13	7404-1	Brake Actuator Mount	2	F112		5/8 x 1-1/4 x .03 Washer	2
14	7412	Clevis Pin (3/16 x 3/4)	2	F127		1/16 x 1/2 Cotter Pin	4
15	5833	Cable Clamp (1/4)	2	F261		AN960616L Washer	6
16	7409	Brake Control Cable, RH (21")	1	<b>NOTE:</b> Decals for this assembly are not shown here. Refer to Tractor Decals (Page 2) for Decal listing and placement information.			
17	7410	Brake Control Cable, LH (27")	1				
18	7401-3	Cable Mount Bracket	1				
19	7401-1	Cable Pull Rod	1				
20	5552	Ball Joint (1/4-28)	1				



# PARKING BRAKE ASSEMBLY



# GHS GROUP

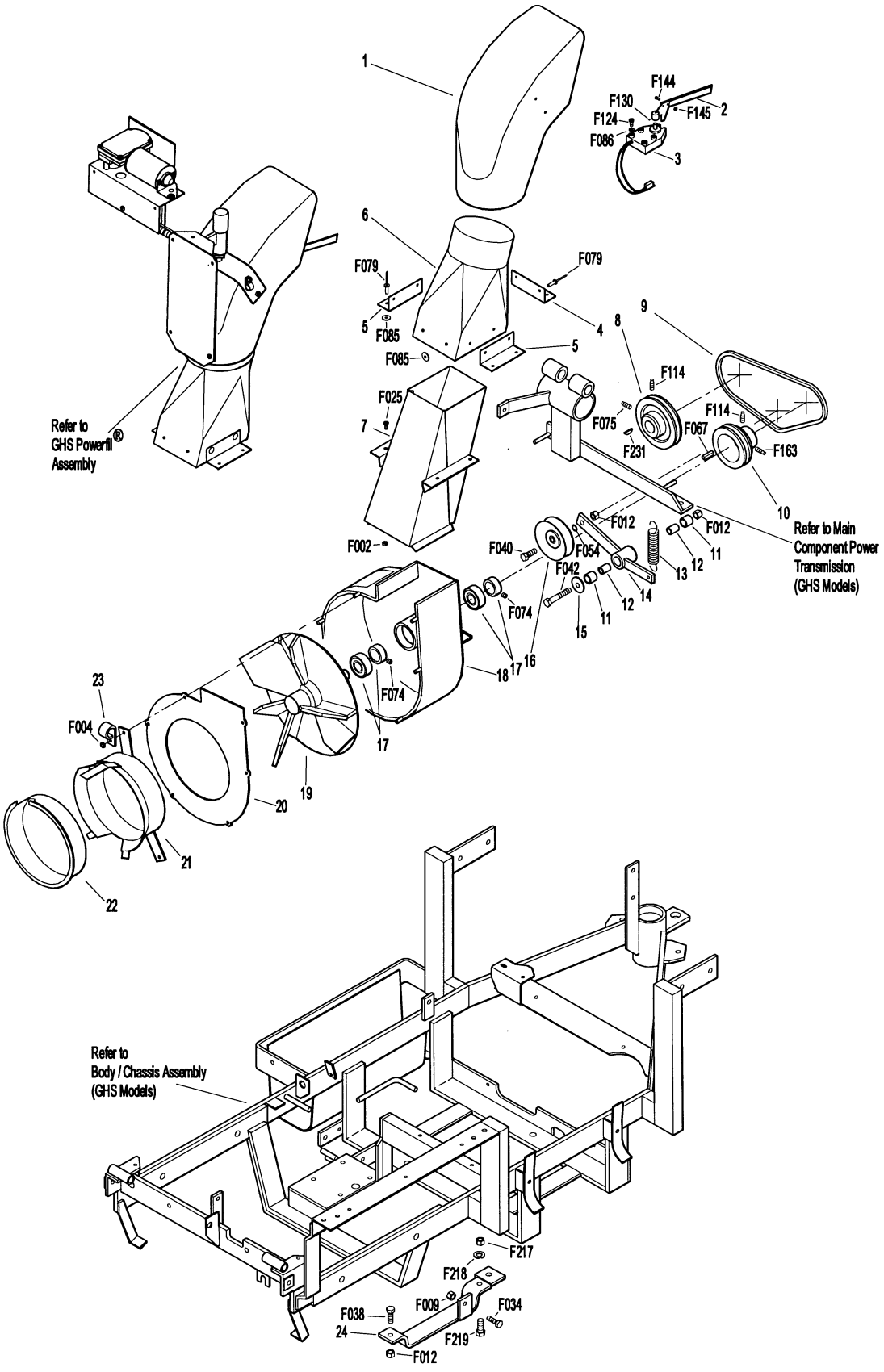
ITEM NO.	PART NO.	DESCRIPTION	NO. REQ'D	ITEM NO.	PART NO.	DESCRIPTION	NO. REQ'D
<b>Delivery Chute Assembly</b>				<b>Fasteners</b>			
1	5515-2	Elbow Delivery Spout	1	F002		10-24 Keps Nut	4
2	5594	Vane Assembly, Grass Pak Switch (Includes Items # F130, F144 & F145)	1	F004		1/4-20 Keps Nut	6
3	5592	Grass Pak Switch Assembly	1	F009		5/16-18 Whiz Locknut	1
4	5578	Rear Clip, Chute Mount	1	F012		3/8-16 Keps Nut	3
5	5577	Side Clip, Chute Mount	2	F025		10-24 x 3/8 PPHMS	4
6	7511-1	Delivery Chute Assembly, (7.0) (Includes Items # 4, 5, F079 & F085)	1*	F034		5/16-18 x 3/4 Hex Bolt	1
7	7530	Body Chute	1	F038		3/8-16 x 1 Hex Bolt	1
<b>Blower Belt Tightener Assembly</b>				F040		3/8-16 x 1-1/2 Hex Bolt	1
8	7238	Blower Drive Pulley (4-1/4 / 3V)	1	F042		3/8-16 x 2-1/4 Hex Bolt	1
9	7234	Blower Belt (3VX280)	1	F054		AN960616 Washer	1
10	7239	Blower Pulley (3-3/8 / 3V)	1	F067		3/16 x 3/16 x 1 Key	1
11	7201-1	Needle Bearing	2	F074		1/4-20 x 3/8 Set Screw	2
12	7201	Bearing Inner Race	2	F075		5/16-18 x 1/2 SQH Set Screw	1
13	5221	Extension Spring (3/4 x 4)	1	F079		A/A66D Aluminum Pop Rivet	14
14	7364	Blower Belt Tightener Arm	1	F085		3/16 Rivet Backup Washer	8
15	5841	Retainer Washer	1	F086		#10 SAE Washer	4
<b>Blower Assembly</b>				F114		5/16-18 x 5/8 SQH Set Screw	2
16	7245	Idler Pulley (1/2 Groove)	1	F124		10-32 x 3/8 Taptite Machine Screw	4
17	5268	Bearing (3/4), Includes Locking Collar	2	F130		10-24 x 3/16 Set Screw	1
18	6543	Housing (10" Blower)	1	F144		4-40 x 1/4 PPHMS	1
	6542	Complete Blower Assembly	***	F145		4-40 Keps Nut	1
24	7528	Skid Bar (10" Blower)	1	F163		5/16-18 x 3/4 SQH Set Screw	1
19	6545	Blower Wheel (10")	1	F217		7/16-14 Hex Nut	1
20	6525-2	Face Plate (10" Blower)	1	F218		7/16 Split Lock Washer	1
21	6526	Blower Intake Tube (6-1/2 x 2-1/2)	1	F219		7/16-14 x 1-1/4 Hex Bolt	1
22	5595-2	Intake Cover	**	F231		1/4 x 3/4 Woodruff Key (#806)	1
23	7833	Cable Clamp (7/8 x 1/4)	1				

- \* For use on GHS 7.0 Bushel Catcher Assembly. When Optional 9.5 Bushel Catcher Assembly is purchased, this part is replaced by P/N 8511-1 (Delivery Chute Assembly, 9.5). Refer to Optional GHS 9.5 Bushel Catcher Assembly (Page 32).
- \*\* Plugs Blower when GHS is not in use. Furnished only with Mulching Decks, SD Decks used on a GHS Tractor, Rotary Broom Attachment and Snowblower Attachment.
- \*\*\* Service Part Only

**NOTE:** Refer to Electrical Connectors (Page 36) for identification of all Electrical Wiring Service Parts.

**NOTE:** Decals for this assembly are not shown here. Refer to Tractor Decals (Page 2) for Decal listing and placement information.

# GHS GROUP



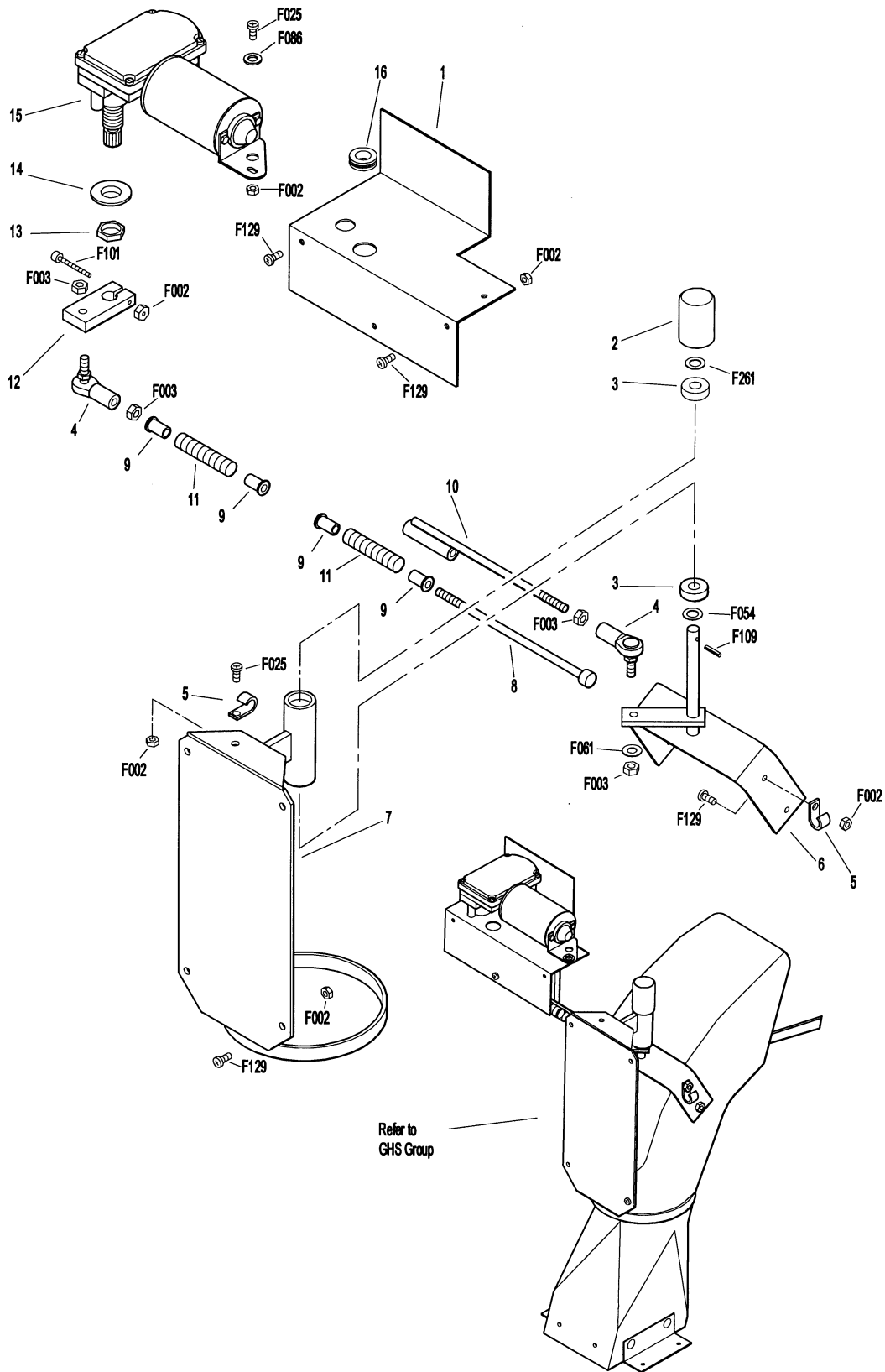
# GHS POWERFIL® ASSEMBLY

ITEM NO.	PART NO.	DESCRIPTION	NO. REQ'D	ITEM NO.	PART NO.	DESCRIPTION	NO. REQ'D
<b>GHS Powerfil® Assembly</b>				<b>Fasteners</b>			
1	5557	Motor Mount, Powerfil®	1	F002		10-24 Keps Nut	13
2	5551-3	Bearing Cap, Powerfil®	1	F003		1/4-28 Hex Nut	4
3	5551-1	Pivot Bearing (#S3PP)	2	F025		10-24 x 3/8 PPHMS	2
4	5552	Ball Joint (1/4-28)	2	F054		AN960616 Washer	1
5	5857	Wire Clamp (1/8 J-Clip)	2	F061		1/4 Internal Star Lock Washer	1
6	5518-2	Pivot, Delivery Spout	1	F086		#10 SAE Washer	1
7	5517-2	Pivot Mount	1	F101		10-24 x 1-1/4 SHC Screw	1
8	5558-1	Powerfil® Push Rod	1	F109		1/8 x 5/8 Roll Pin	1
9	5553-3	Bushing, Powerfil® Actuator	4	F129		10-24 x 1/2 PTHMS	10
10	5558-2	Powerfil® Actuator Rod	1	F261		AN960616L Washer	1
	5549	Actuator Rod Assembly (Includes Items # 4, 8, 9, 10, 11 & F003)	*	* Service Part Only			
11	5553-1	Spring, Powerfil® Actuator	2				
12	5554	Actuator Arm	1				
13	5519-3	Motor Mount Nut (5/8-24 Panel Nut)	*				
14	5519-2	Motor Mount Washer	*				
15	5519	Actuator Motor (12/24V) (Includes Items # 13 & 14)	1				
16	5977	Grommet (1/2 ID x 7/8 OD x 1/16)	1				

Use only genuine **Walker** replacement parts.

Effective Date 05-22-97

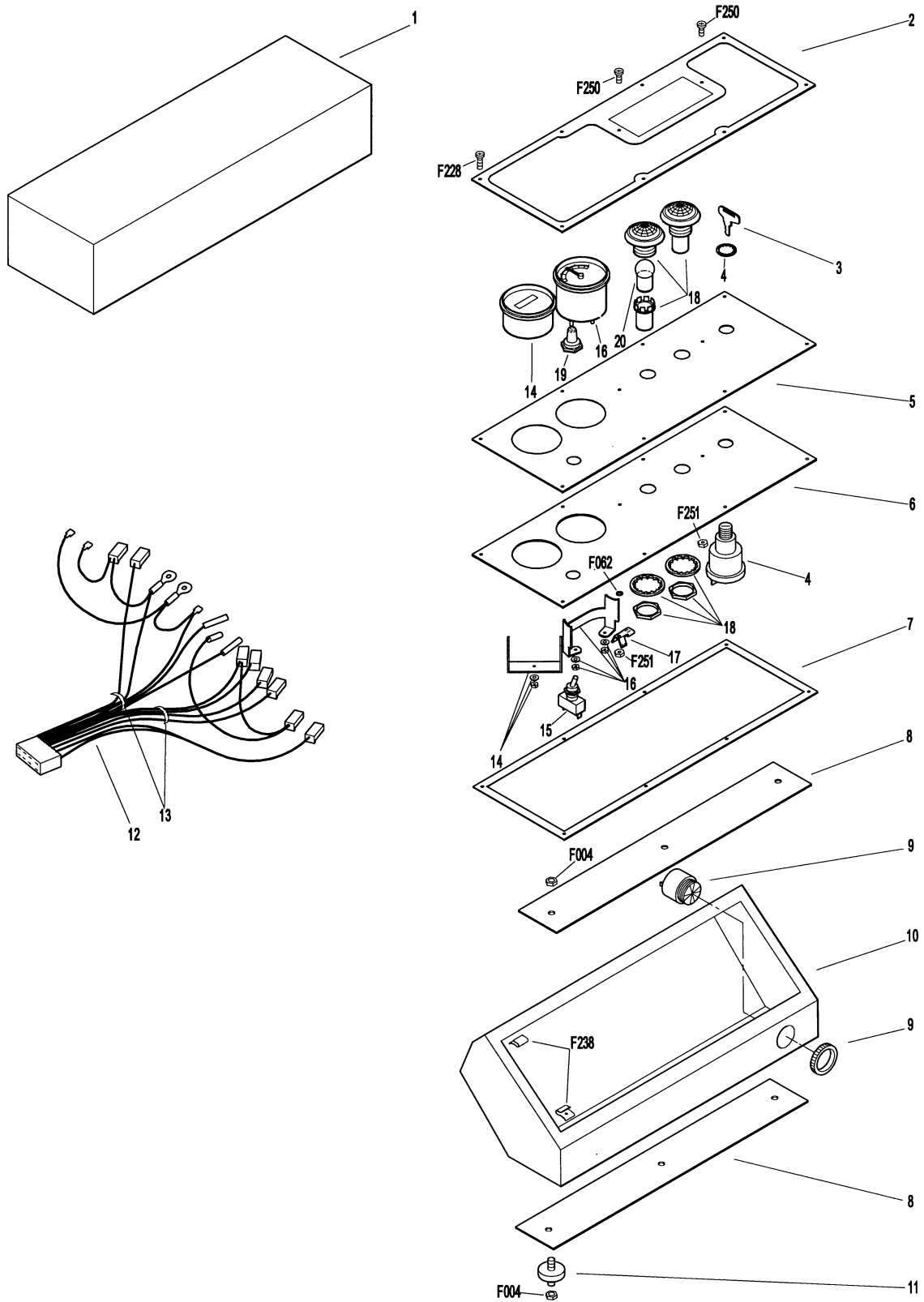
# GHS POWERFIL® ASSEMBLY



# INSTRUMENT PANEL ASSEMBLY

ITEM NO.	PART NO.	DESCRIPTION	NO. REQ'D	ITEM NO.	PART NO.	DESCRIPTION	NO. REQ'D
<b>Instrument Panel Assembly</b>				17	5995-1	Wire Terminal Adapter	1
1	7307-2	Instrument Panel Cover (Optional)	*	18	8996	Red Indicator Light (Includes Item # 20)	2
2	7307	Panel Frame	1	19	5995-2	Switch Boot (Fits P/N 5995)	1
3	8960-1	Ignition Key (1 Set)	**	20	8996-1	Indicator Bulb (Replacement for P/N 8996)	**
4	8960	Ignition Switch (with Keys) (Includes Item # 3)	1	<b>Fasteners</b>			
5	8823	Decal, Instrument Panel	1		F004	1/4-20 Keps Nut	6
6	8820	Panel Faceplate	1		F062	#8 Internal Star Lock Washer	1
7	7386	Panel Gasket	1		F228	#6 x 1/2 PPHSM Set Screw	8
8	7391	Panel Box Mount Plate	2		F238	J Clip, Instrument Panel C15520-6A	8
9	8536	Warning Horn	1		F250	6-32 x 3/8 PPHMS	2
10	8385	Panel Box	1		F251	6-32 Keps Nut	2
11	7307-1	Shock Mount (1.0 OD x .25)	3	* May be ordered as a factory-installed option or as a kit for dealer installation. Contact your Walker dealer.			
12	8945	Wire Harness, Instrument Panel	1	** Service Part Only			
	8306	Instrument Panel Assembly (Includes Items # 2-7, 9, 16-20, F062, F250 & F251)	1	<b>NOTE:</b> Refer to Electrical Connectors (Page 36) for identification of all Electrical Wiring Service Parts.			
13	5975-1	Cable Tie (18# x 3-3/4")	2				
14	8990	Hourmeter	1				
15	5995	Toggle Switch (Off-On)	1				
16	8997	Voltmeter Gauge	1				

# INSTRUMENT PANEL ASSEMBLY



# GHS 7.0 BUSHEL CATCHER & EXHAUST DEFLECTOR ASSEMBLIES

ITEM NO.	PART NO.	DESCRIPTION	NO. REQ'D
----------	----------	-------------	-----------

## Upper Baffle Screen Assembly (Removable)

1	7509-3	Channel Bottom	2
2	7505	Mustache Spring	2
3	7507	Screen Seal, 7.0 (27-1/2)	1
4	7856-1	Edge Molding, 7.0 (26")	1
5	7509-2	Channel Top	2
6	7512-2	Removable Screen (7.0)	1
7	7506	Knob	2
8	7509-4	C-Channel (7.0)	1

## GHS 7.0 Bushel Catcher Assembly

9	7584	Reinforcing Strap, Catcher Top	2
10	7510-1	7.0 Bushel Catcher, Including Door	1
	7502-1	7.0 Catcher Assembly, Without Powerfil® (Includes Door)	*
	7502-2	7.0 Catcher Assembly (Includes Powerfil®)	*
	8502-3	7.0 Catcher Assembly (Includes Frame & Powerfil®) (Prior to S/N 97-31199)	*
	8502-6	7.0 Catcher Assembly (Includes Frame & Powerfil®) (S/N 97-31199 and on)	*
11	5583	Handle	1
12	7514-1	Backup Plate, Catcher Door	1
13	5588	Rubber Bumper (.75 OD x .50)	2
14	7522	Side Strap, Door (7.0)	2
15	7514	Door Frame, Catcher (7.0)	1
16	5587	Extension Spring (3/4 x 6-1/2)	2
17	5522-1	Hinge Backup Plate, LH	1
18	5524	Hinge Bearing	2
19	7513-2	Mounting Frame Doubler (7.0)	1
20	5523	Spring Hook	2
21	7610-1	Dump Plate Slide	2**
22	7610	Catcher Dump Plate	1**
23	7503	Mounting Frame, Catcher (7.0)	1
24	5281-5	Clevis Pin (1/4 x 0.80)	2**
25	5522-2	Hinge Backup Plate, RH	1
26	7508	Safety Latch Hinge (7.0 / 9.5)	1
27	7532	Handle, Catcher Lift	2
28	7557	Motor Mount Stiffener	1
29	7533	Backing Plate, Handle	2

## 7504 Exhaust Deflector Kit\*\*\*

30	7504-1	Exhaust Deflector (Two Piece Set)	1
31	7504-3	Hinge, Exhaust Deflector	1
32	7504-8	Deflector Mount Doubler	2

ITEM NO.	PART NO.	DESCRIPTION	NO. REQ'D
----------	----------	-------------	-----------

## 5598 Optional Dump Bag (Not Shown)♦

### Fasteners

F002	10-24 Keps Nut	24
F004	1/4-20 Keps Nut	17
F020	5/16-18 ESNA Nut	2
F025	10-24 x 3/8 PPHMS	8
F027	10-24 x 5/8 PPHMS	6
F035	5/16-18 x 1-1/4 Hex Bolt	1
F037	10-24 x 5/8 PTH Screw	5
F049	5/16 SAE Washer	6
F069	3/32 x 1/2 Cotter Pin	2
F079	A/A66D Aluminum Pop Rivet	30
F085	3/16 Rivet Backup Washer	27
F129	10-24 x 1/2 PTHMS	6
F188	1/4-20 Self Locking Nut	17
F195	1/4-20 x 3/4 PPHMS SS	16
F196	1/4-20 x 1 PPHMS SS	3
F198	.625 x .250 x .040 Washer, SS	13
F228	#6 x 1/2 PPHSM Set Screw	2
F230	1/4-20 x 1-1/4 PPHMS SS	1
F242	1/4-20 x 7/8 PPHMS SS	11
F252	10-24 x 3/4 PPHMS	1
F255	5/16-18 x 1-1/2 Hex Bolt	1
F329	.260 ID x 1.939 OD Washer	2
F330	3/16 D x 21/32 L Rivet, SS	2
F333	1/4-20 x 3/4 PTHMS	4

\* Service Part Only

\*\* Existing Part on units with Serial Number 94-16484 and on. Earlier Models require installation of Dump Plate Kit 7611.

\*\*\* May be ordered as a factory-installed option or as a kit for dealer installation. Contact your Walker dealer.

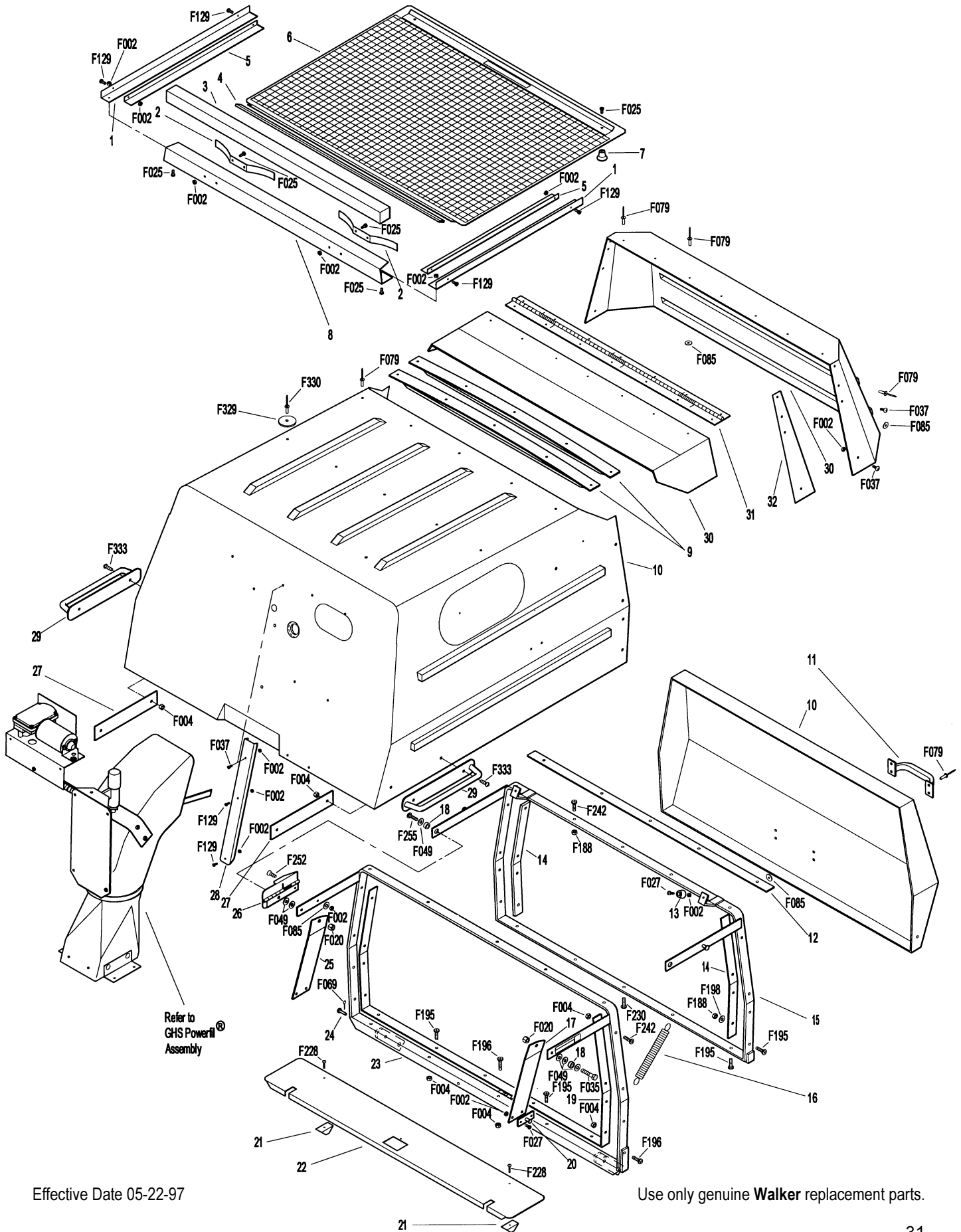
♦ Not used with Power Dump Option.

**NOTE:** The Removable Upper Baffle Screen is standard equipment on GHS Models starting with Serial Number 94-19386 and on. Order kit P/N 7520 for installation on earlier models. Contact your Walker dealer.

**NOTE:** Decals for this assembly are not shown here. Refer to Tractor Decals (Page 2) for Decal listing and placement information.



# GHS 7.0 BUSHEL CATCHER & EXHAUST DEFLECTOR ASSEMBLIES



Effective Date 05-22-97

Use only genuine Walker replacement parts.

## OPTIONAL GHS 9.5 BUSHEL CATCHER ASSEMBLY

ITEM NO.	PART NO.	DESCRIPTION	NO. REQ'D	ITEM NO.	PART NO.	DESCRIPTION	NO. REQ'D
<b>GHS 9.5 Bushel Catcher Assembly*</b>				<b>Fasteners</b>			
1	7584	Reinforcing Strap, Catcher Top	2	F002		10-24 Keps Nut	13
2	8510-1	9.5 Bushel Catcher, Including Door	1	F004		1/4-20 Keps Nut	19
	8502-1	9.5 Catcher Assembly, Without Powerfil®	**	F020		5/16-18 ESNA Nut	2
		(Includes Door)		F027		10-24 x 5/8 PPHMS	7
	8502-2	9.5 Catcher Assembly (Includes Powerfil®)**	**	F035		5/16-18 x 1-1/4 Hex Bolt	1
	8502-5	9.5 Catcher Assembly	**	F037		10-24 x 5/8 PTH Screw	2
		(Includes Frame & Powerfil®)		F049		5/16 SAE Washer	6
		(Prior to S/N 97-31199)		F079		A/A66D Aluminum Pop Rivet	26
	8502-7	9.5 Catcher Assembly	**	F085		3/16 Rivet Backup Washer	13
		(Includes Frame & Powerfil®)		F129		10-24 x 1/2 PTHMS	4
		(S/N 97-31199 and on)		F188		1/4-20 Self Locking Nut	20
3	7532	Handle, Catcher Lift	2	F195		1/4-20 x 3/4 PPHMS SS	4
4	5583	Handle	1	F196		1/4-20 x 1 PPHMS SS	3
5	8514	Door Frame, Catcher (9.5)	1	F198		.625 x .250 x .040 Washer, SS	5
6	8516	Side Strap, Door (9.5)	2	F203		1/4-20 x 5/8 PPHMS SS	4
7	5588	Rubber Bumper (.75 OD x .50)	2	F230		1/4-20 x 1-1/4 PPHMS SS	1
8	7514-1	Backup Plate, Catcher Door	1	F242		1/4-20 x 7/8 PPHMS SS	23
9	5587	Extension Spring (3/4 x 6-1/2)	2	F252		10-24 x 3/4 PPHMS	1
10	5522-1	Hinge Backup Plate, LH	1	F255		5/16-18 x 1-1/2 Hex Bolt	1
11	5524	Hinge Bearing	2	F329		.260 ID x 1.939 OD Washer	2
12	8513-2	Mounting Frame Doubler (9.5)	1	F330		3/16 D x 21/32 L Rivet, SS	2
13	5523	Spring Hook	2	F333		1/4-20 x 3/4 PTHMS	4
14	8503	Mounting Frame, Catcher (9.5)	1				
15	5522-2	Hinge Backup Plate, RH	1				
16	5577	Side Clip, Chute Mount	2				
17	8511-1	Delivery Chute Assembly (9.5)	1***				
		(Includes Items # 16, 18, F079 & F085)					
18	5578	Rear Clip, Chute Mount	1				
19	7508	Safety Latch Hinge (7.0 / 9.5)	1				
20	8117	Wire Harness Channel (9.5)	1				
21	5976	Grommet	2				
22	7533	Backing Plate, Handle	2				
23	8950	Wire Harness, 9.5 Catcher	1♦				

\* May be ordered as a factory-installed option or as a kit for dealer installation. Contact your Walker dealer.

\*\* Service Part Only

\*\*\* Replaces P/N 7511-1 (Delivery Chute Assembly, 7.0) upon installation. Refer to GHS Group (Page 22).

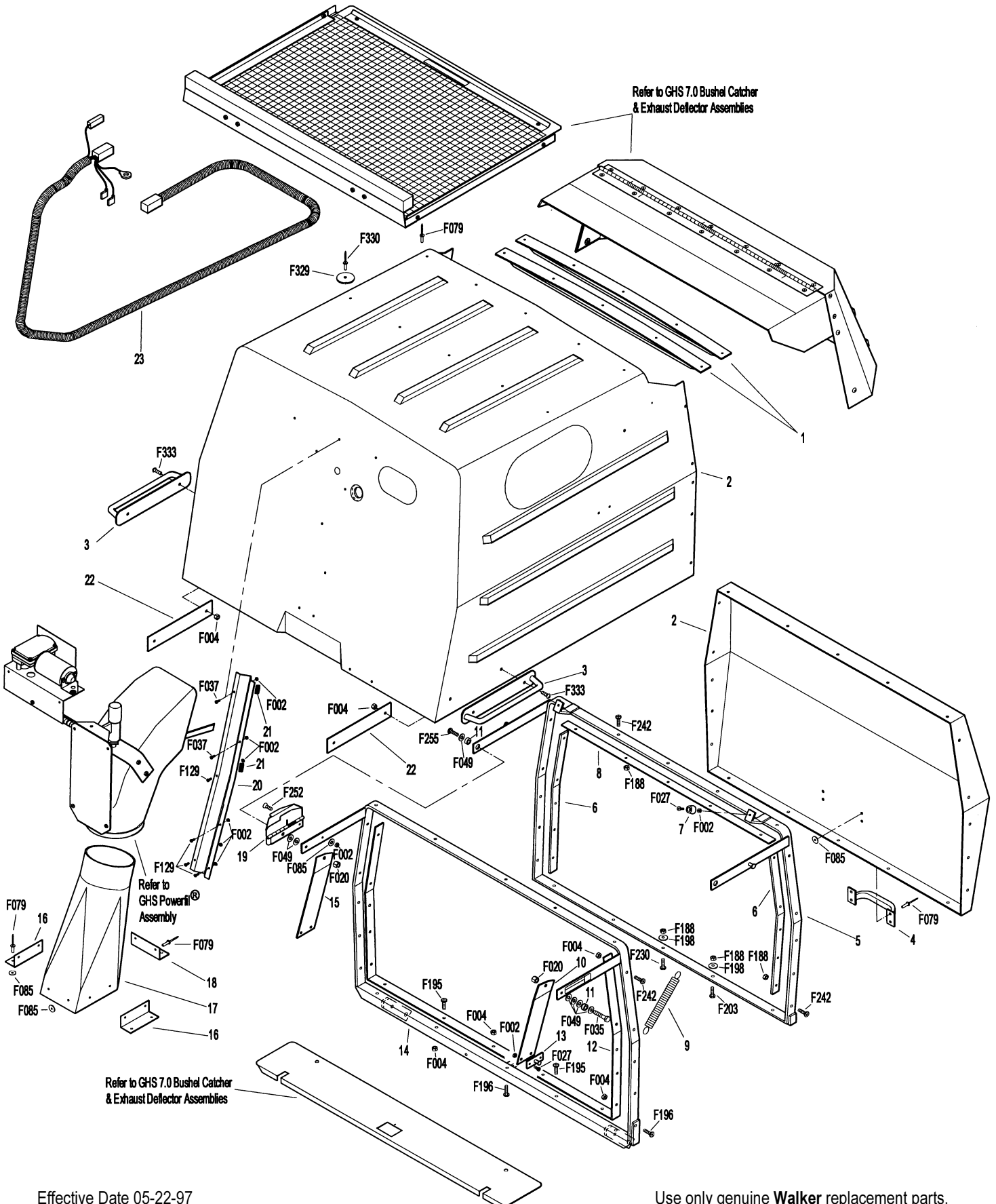
♦ Optional 9.5 Catcher Wire Harness replaces P/N 7944 (Wire Harness [7.0 Catcher]) upon installation. Refer to Electrical Assembly (Page 34).

**NOTE:** Do not use the Optional Power Dump Kit with the 9.5 Bushel Catcher.

**NOTE:** Refer to Electrical Connectors (Page 36) for identification of all Electrical Wiring Service Parts.

**NOTE:** Decals for this assembly are not shown here. Refer to Tractor Decals (Page 2) for Decal listing and placement information.

# OPTIONAL GHS 9.5 BUSHEL CATCHER ASSEMBLY



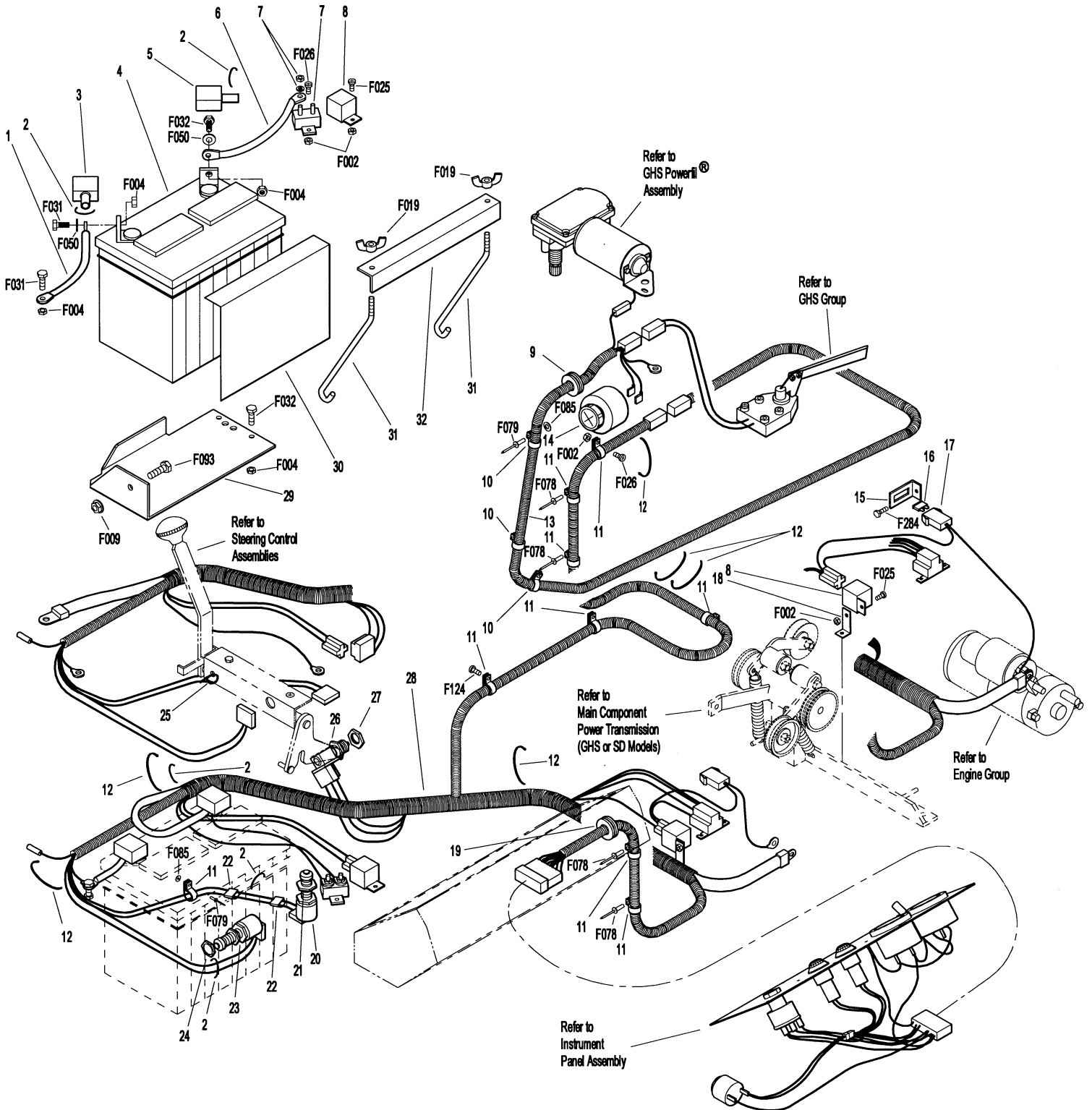
Effective Date 05-22-97

Use only genuine Walker replacement parts.

# ELECTRICAL ASSEMBLY

ITEM NO.	PART NO.	DESCRIPTION	NO. REQ'D	ITEM NO.	PART NO.	DESCRIPTION	NO. REQ'D
<b>Electrical Assembly</b>				30	6392	Battery Protector Plate	1
1	6923	Negative Battery Cable	1	31	5839	Hook Bolt, Battery Mount	2
2	5975-1	Cable Tie (18# x 3-3/4")	5	32	5844	Battery Hold-Down Bar	1
3	5932	Battery Terminal Insul., Black (-)	1	<b>Fasteners</b>			
4	5910	Battery (12V U1-SP30, Dry)	1		F002	10-24 Keps Nut	5
5	5933	Battery Terminal Insul., Red (+)	1		F004	1/4-20 Keps Nut	5
6	8943	Positive Battery Lead Wire (Red)	1		F009	5/16-18 Whiz Locknut	1
7	8941	Circuit Breaker (30 Amp) with Reset	1		F019	1/4-20 ESNA Wing Nut	2
8	6941	Relay Switch (30/40 Amp)	2		F025	10-24 x 3/8 PPHMS	2
9	5976-1	Grommet (3/16 ID x 7/8 OD)	1*		F026	10-24 x 1/2 PPHMS	2
10	7834	Nylon Clamp (1/4)	3		F027	10-24 x 5/8 PPHMS	1
11	5832	Cable Clamp (1/2)	9		F031	1/4-20 x 5/8 Hex Bolt	2
12	5975-3	Cable Tie (50# x 7") (GHS Models Use Only 3)	6		F032	1/4-20 x 3/4 Hex Bolt	3
13	7944	Wire Harness (7.0 Catcher)	1**		F050	1/4 SAE Washer	2
14	5536-2	Horn, Full Signal (GHS)	1*		F078	A/A64D Aluminum Pop Rivet	4
15	8929	Relay Fuse Mount	1		F079	A/A66D Aluminum Pop Rivet	3
16	6941-1	20 Amp Fuse	1		F085	3/16 Rivet Backup Washer	3
17	5940-6	Fuse Holder with Terminals	1		F093	5/16-18 x 1 Hex Bolt	1
18	8539	Starter Relay Mount	1		F124	10-32 x 3/8 Taptite Machine Screw	2
19	8977	Grommet (1/8 x 7/8)	1		F284	M6 x 1.0 x 8 SCH Screw	1
20	5941	Safety Switch (Normal Closed) (Includes Item # 21)	1	* GHS Models Only			
21	5941-1	Switch Boot (Fits P/N 5941)	1	** Used on GHS Models with 7.0 Bushel Catcher only. When Optional GHS 9.5 Bushel Catcher is purchased, this part is replaced by P/N 8950 (9.5 Catcher Wire Harness). Refer to Optional GHS 9.5 Bushel Catcher Assembly (Page 32).			
22	5975-5	Wire Clip, Self-Mount	2	<b>NOTE:</b> Refer to Electrical Connectors (Page 36) for identification of all Electrical Wiring Service Parts.			
23	5942	Safety Switch (Normal Open) (Includes Item # 24)	1	<b>NOTE:</b> Decals for this assembly are not shown here. Refer to Tractor Decals (Page 2) for Decal listing and placement information.			
24	5942-1	Switch Boot (Fits P/N 5942)	1				
25	5975-2	Cable Tie (30# x 6")	1				
26	7942	Safety Switch (Includes Item # 27)	1				
27	7942-0	Nut, Safety Switch (Fits P/N 7942)	1				
28	8940-2	Wire Harness	1				
29	7390-1	Battery Pan	1				

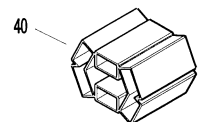
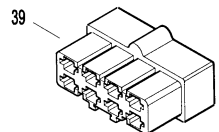
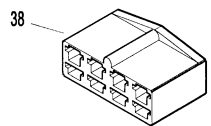
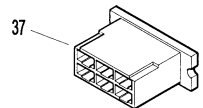
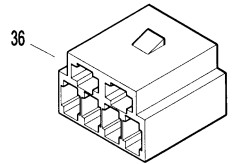
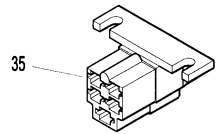
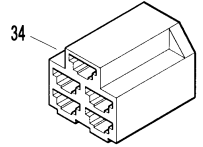
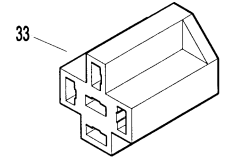
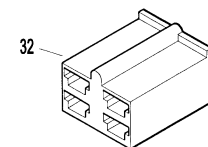
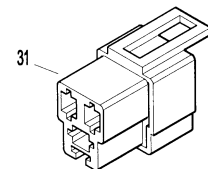
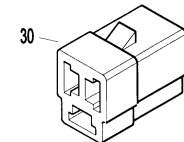
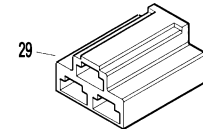
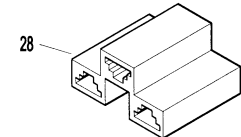
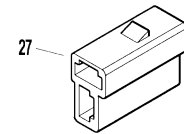
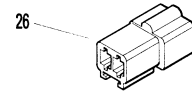
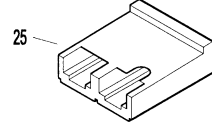
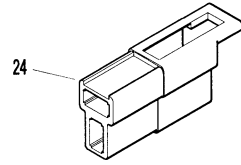
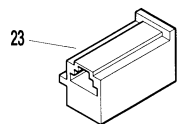
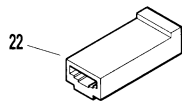
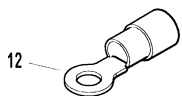
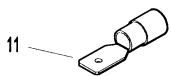
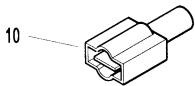
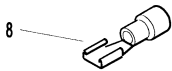
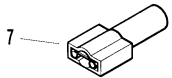
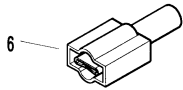
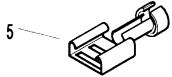
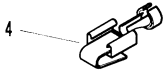
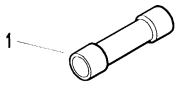
# ELECTRICAL ASSEMBLY



# ELECTRICAL CONNECTORS

ITEM NO.	PART NO.	DESCRIPTION	NO. REQ'D	ITEM NO.	PART NO.	DESCRIPTION	NO. REQ'D
<b>Electrical Wiring Service Parts</b>				24	7942-1	2-Way Locking Connector, Female	*
1	5996-1	16-14 GA Butt Conn.	*	25	7942-2	2-Way Connector, Male	*
2	5996-4	16-14 GA Bullet Conn., Male	*	26	7942-3	2-Way Connector, Female	*
3	5996-5	16-14 GA Bullet Conn., Female	*	27	7942-10	2-Way Locking Connector, Male	*
4	5940-4	16-14 GA Spg. Loaded Term., Female	*	28	5940-8	3-Way Connector, Male	*
5	5940-7	Brass Wire Clip, Female	*	29	7942-9	3-Way Connector, Male	*
6	5996	1/4 x 16-14 GA QKS Term., Female	*	30	8944	3-Way Locking Connector, Male	*
7	5996-2	3/16 x 22-18 GA QKS Term., Female	*	31	8944-1	3-Way Locking Connector, Female	*
8	7996	16-14 GA QKS Term., .187 (Female)	*	32	7942-11	4-Way Connector, Male	*
9	5940-5	16-14 GA Spg. Loaded Term., Male	*	33	7942-5	5-Way Connector, Male	*
10	5996-0	1/4 x 22-18 GA QKS Term., Male	*	34	5940-2	5-Way Connector, Male	*
11	7996-1	1/4 x 16-14 GA QKS Term., Male	*	35	8942-1	5-Way Connector, Female	*
12	5996-8	6 GA Ring Lug (5/16)	*	36	7942-6	6-Way Connector, Male	*
13	5996-9	22-18 GA Ring Term., #10	*	37	7942-7	6-Way Connector, Male	*
14	5996-10	16-14 GA Ring Term. (5/16)	*	38	7942-8	8-Way Connector, Male	*
15	5996-12	12-10 GA Ring Term. (5/16)	*	39	8942-2	8-Way Connector, Female	*
16	5996-13	16-14 GA Ring Term., #10	*	40	8942-3	5-Way Connector, Male	*
17	5996-15	12-10 GA Ring Term. (1/2)	*	* Service Part Only			
18	5996-16	6 GA Ring Terminal (1/4)	*	<b>NOTE:</b> Not all Electrical Connectors are used with all assemblies.			
19	5996-17	16-14 GA Ring Term. (1/4)	*	<b>NOTE:</b> Refer to Electrical Assembly (Page 34) for locations of Wiring Harness and of all Electrical Wiring Service Parts.			
20	5996-20	12-10 GA Ring Term. (1/4)	*				
21	5996-21	12-10 GA Ring Term., #10	*				
22	7942-4	Single Connector, Male	*				
23	8942	2-Way Connector, Male	*				

# ELECTRICAL CONNECTORS

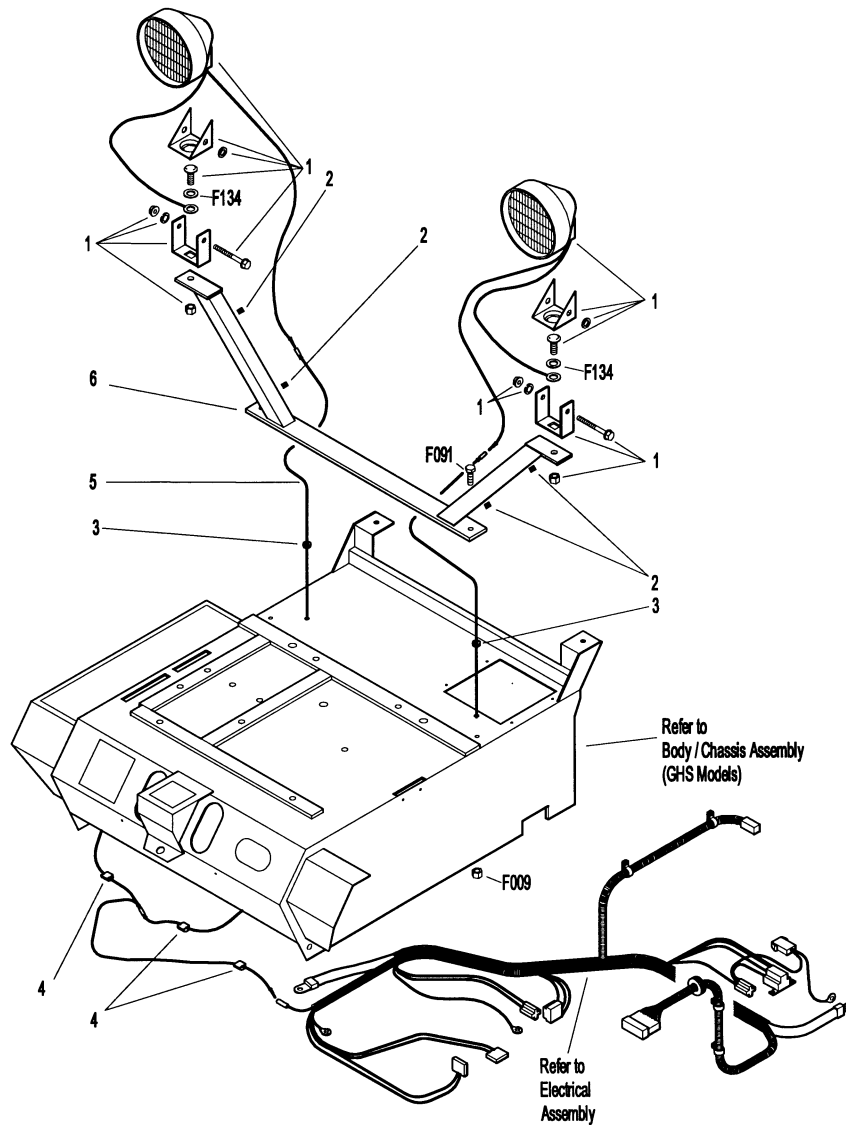


# 7989 LIGHT KIT

ITEM NO.	PART NO.	DESCRIPTION	NO. REQ'D	ITEM NO.	PART NO.	DESCRIPTION	NO. REQ'D
<b>7989 Light Kit Assembly*</b>				<b>Fasteners</b>			
1	5989-2	Light Assembly (Includes Sealed Beam Lamp)	2		F009	5/16-18 Whiz Locknut	2
	5989-6	Sealed Beam Lamp (Fits 5989-2)	**		F091	5/16-18 x 5/8 Hex Bolt	2
2	7834-1	Half U-Wire Clip	4		F134	AN960816L Washer	2
3	5977-1	Grommet (1/8 x 3/8)	2	*	May be ordered as a factory-installed option or as a kit for dealer installation. Contact your Walker dealer.		
4	5975-5	Wire Clip, Self-Mount	3	**	Service Part Only		
5	7995-3	Power Lead Wire Assembly (Lights)	1	<b>NOTE:</b> Refer to Electrical Connectors (Page 36) for identification of all Electrical Wiring Service Parts.			
6	7992	Mount Bracket, Lights (Includes Items # 2, 3 & 4)	1				



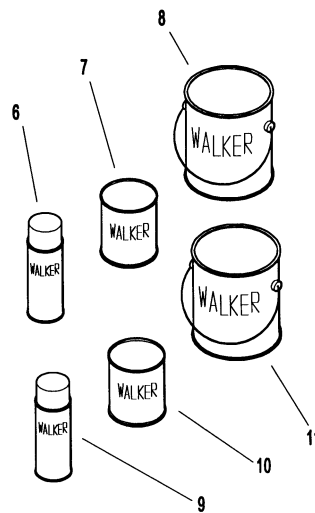
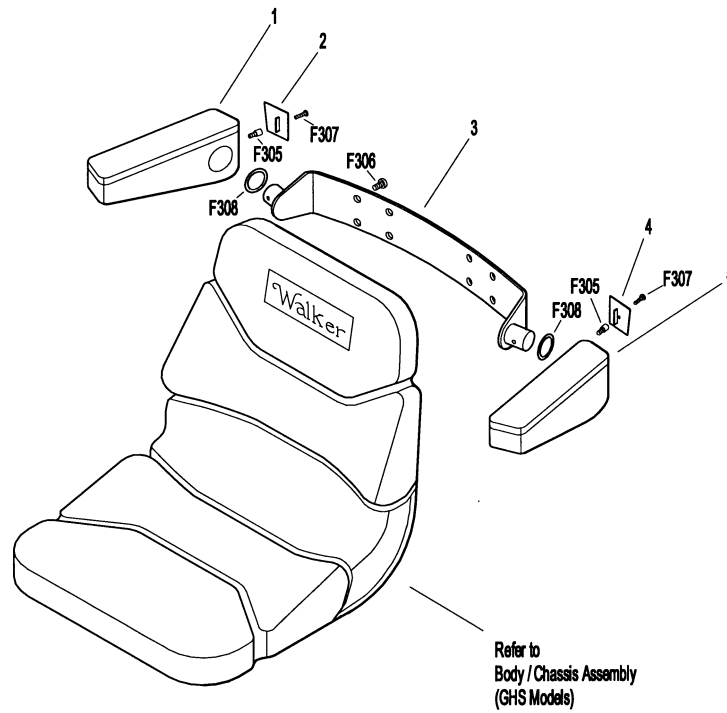
# 7989 LIGHT KIT



## 5885 ARMREST KIT & WALKER TOUCH-UP PAINT

ITEM NO.	PART NO.	DESCRIPTION	NO. REQ'D	ITEM NO.	PART NO.	DESCRIPTION	NO. REQ'D
<b>5885 Armrest Kit*</b>				10	5873	Touch-Up Paint, Grey (1 qt.)	
1	5886-1	Armrest, RH	1	11	5873-1	Touch-Up Paint, Grey (1 gal.)	
2	5886-3	Cover Plate, RH	1	<b>Fasteners</b>			
3	5887	Mounting Bracket	1	F305	1/4-20 x 3/8 SH Cap Screw		2
4	5886-4	Cover Plate, LH	1	F306	3/8-16 x 3/4 Hex Bolt		4
5	5886-2	Armrest, LH	1	F307	#10 x 5/8 PPHST Screw		2
	5888	Armrest Hardware Kit (Includes Items # F305, F306, F307 & F308)	**	F308	1-1/4 x 1-5/8 Wave Spring Washer		2
<b>Walker Touch-Up Paint***</b>				* May be ordered as a factory-installed option or as a kit for dealer installation. Contact your Walker dealer.			
6	5866	Touch-Up Paint, Yellow (12 oz. Aerosol)		** Service Part Only			
7	5871	Touch-Up Paint, Yellow (1 qt.)		*** Service Part Only, Walker Touch-Up Paint is not included with any replacement parts or kits and must be ordered separately.			
8	5871-1	Touch-Up Paint, Yellow (1 gal.)					
9	5867	Touch-Up Paint, Grey (12 oz. Aerosol)					

# 5885 ARMREST KIT & WALKER TOUCH-UP PAINT



## 7620 POWER DUMP KIT (GHS MODELS ONLY)

ITEM NO.	PART NO.	DESCRIPTION	NO. REQ'D	ITEM NO.	PART NO.	DESCRIPTION	NO. REQ'D
<b>7620 Power Dump Kit*</b>				<b>Fasteners</b>			
1	7620-3	Door Pivot Bushing	2	F002		10-24 Keps Nut	6
2	7612-2	Door Actuator Arm, RH	1	F003		1/4-28 Hex Nut	4
3	7612-1	Door Actuator Arm, LH	1	F004		1/4-20 Keps Nut	8
4	7610-5	Spring	1	F009		5/16-18 Whiz Locknut	3
5	7523	Clevis Pin (1/4 x 9/16)	2	F012		3/8-16 Keps Nut	3
6	7623	Power Dump Cable Assembly (7.0)	2	F028		10-24 x 3/4 PPHMS	4
7	5975-7	Cable Tie (50# x 11")	1	F029		1/4-20 x 1/2 Hex Bolt	4
8	7621	Linear Actuator	1	F032		1/4-20 x 3/4 Hex Bolt	1
9	5552	Ball Joint (1/4-28)	2	F039		3/8-16 x 1-1/4 Hex Bolt	2
10	7628	Channel Angle, RH	1	F049		5/16 SAE Washer	2
11	7620-9	Roller Wheel	2	F050		1/4 SAE Washer	2
12	7629	Channel Angle, LH	1	F068		1/8 x 1 Cotter Pin	2
13	5830	Grease Fitting	3	F069		3/32 x 1/2 Cotter Pin	2**
14	7626-0	Actuator Mount	1	F079		A/A66D Aluminum Pop Rivet	1
15	7624-1	Roller Bearing Bolt	1	F085		3/16 Rivet Backup Washer	4
16	5832	Cable Clamp (1/2)	1	F093		5/16-18 x 1 Hex Bolt	2
17	7627	Front Actuator Mount	1	F104		1/4-20 x 3/4 PFH Bolt	3
18	7624	Sealed Needle Bearing	1	F111		1/8 x 3/4 Cotter Pin	1**
19	7630-1	Spacer	1	F128		10-24 x 3/8 PTHMS	2
20	7630-2	Ram Pivot	1	F134		AN960816L Washer	4
21	7625	Fork	1	F266		1/2 x 2-3/4 Shoulder Bolt	1
22	5975-1	Cable Tie (18# x 3-3/4")	1	F267		1/2 x 1 x 1/16 Washer	4
23	5975-3	Cable Tie (50# x 7")	5	F269		10-32 x 5/8 PTHMS	4
24	7622	Wire Harness	1	F270		10-32 Cap Nut	4
25	6623	Lift Control Switch	1	F294		3/16 x 1 Coiled Spring Pin (SS)	2
26	6623-1	Switch Boot	1				
27	7633	Decal, Power Dump Switch	1				
28	7620-12	Cable Rod Guide	2				
29	7620-6	Cable Guide	2				
30	7613	Door Actuator	2				

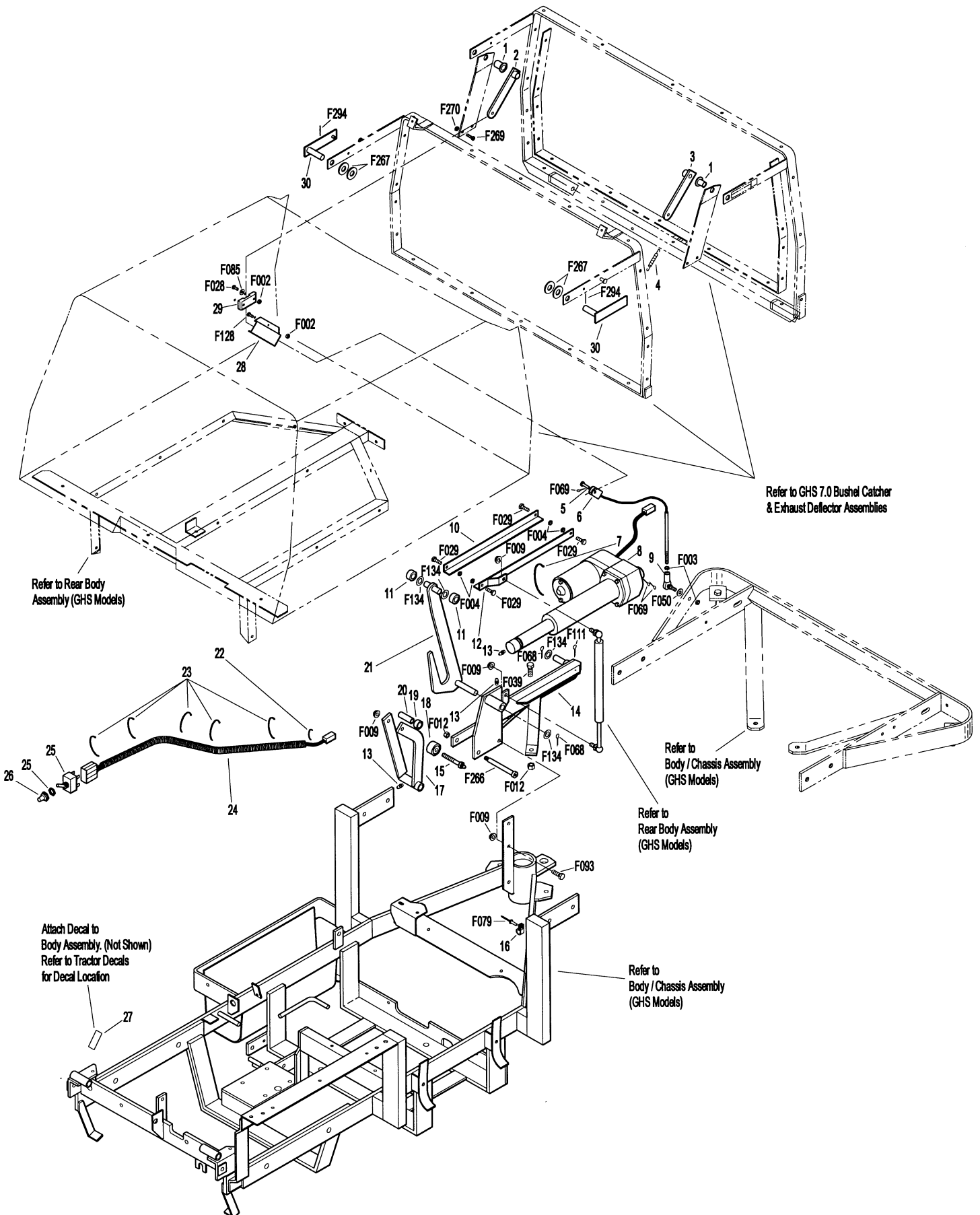
\* This assembly is not for use with the Optional 9.5 Bushel Catcher or the Optional Dump Bag kits. May be ordered as a factory-installed option or as a kit for dealer installation. Contact your Walker dealer.

\*\* Existing Part Reused from 7.0 Bushel Catcher Assembly on units with Serial Number 94-16484 and later. Earlier Models require installation of Dump Plate Kit 7611.

**NOTE:** Two of the F009 Fasteners are reused from the Rear Gas Spring Assembly. Refer to Rear Body Assembly (GHS Models), Page 6.

**NOTE:** Refer to Electrical Connectors (Page 36) for identification of all Electrical Wiring Service Parts.

# 7620 POWER DUMP KIT (GHS MODELS ONLY)



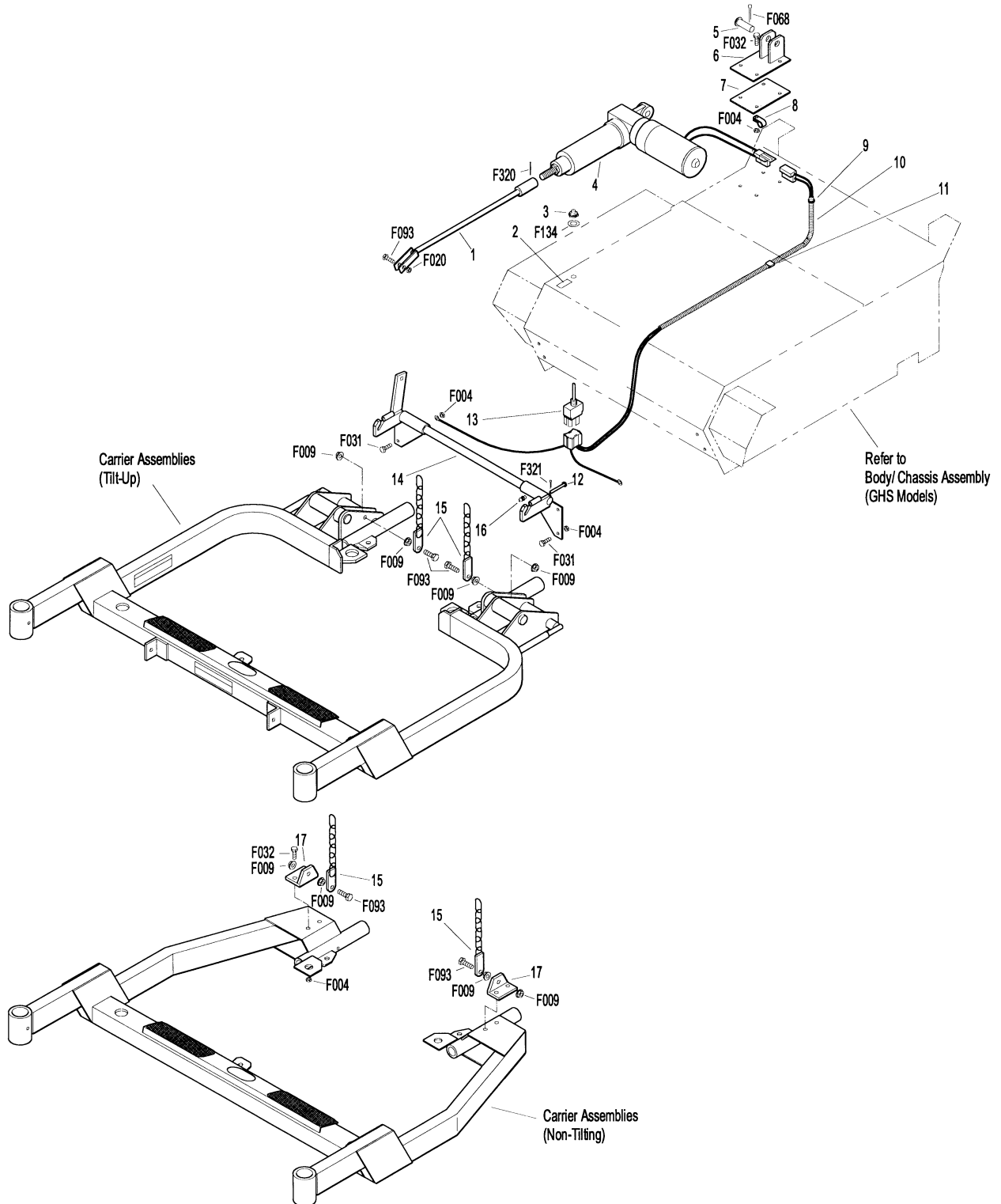
Effective Date 05-22-97

Use only genuine Walker replacement parts.

# 8651 POWER DECK LIFT KIT

ITEM NO.	PART NO.	DESCRIPTION	NO. REQ'D	ITEM NO.	PART NO.	DESCRIPTION	NO. REQ'D
<b>8651 Power Deck Lift Kit*</b>				<b>Fasteners</b>			
1	8622	Actuator Rod	1	F004		1/4-20 Keps Nut	12
2	8654	Decal, Power Deck Lift	1	F009		5/16-18 Whiz Locknut	4
3	6623-1	Switch Boot	1	F020		5/16-18 ESNA Nut	1
4	8628	Linear Actuator	1	F031		1/4-20 x 5/8 Hex Bolt	4
5	8648	Clevis Pin (1/2 x 1-27/64)	1	F032		1/4-20 x 3/4 Hex Bolt	8
6	8624	Actuator Mount	1	F061		1/4 Internal Star Lock Washer	1
7	8625	Backup Plate, Actuator Mount	1	F068		1/8 x 1 Cotter Pin	1
8	6832	Cable Clamp (9/16 x 1/4)	1	F093		5/16-18 x 1 Hex Bolt	3
9	5977-1	Grommet (1/8 x 3/8)	1	F134		AN960816L Washer	1
10	8649	Wire Harness, Power Lift	1	F320		1/8 x 3/4 Split Spring Pin	1
11	5975-5	Wire Clip, Self-Mount	1	F321		1/16 x 3/8 Cotter Pin	2
12	8646	Clevis Pin (3/16 x 1-1/2)	2				
13	6623	Lift Control Switch	1				
14	8623	Pivot Lift	1				
15	8626	Lift Chain (7-1/2)	2				
16	5830	Grease Fitting	2				
17	8627	Deck Bracket, Power Lift	2				
						* May be ordered as a factory-installed option or as a kit for dealer installation. Contact your Walker dealer.	
						<b>NOTE:</b> Refer to Electrical Connectors (Page 36) for identification of all Electrical Wiring Service Parts.	

# 8651 POWER DECK LIFT KIT



# 8540 TAIL WHEEL LOCK KIT

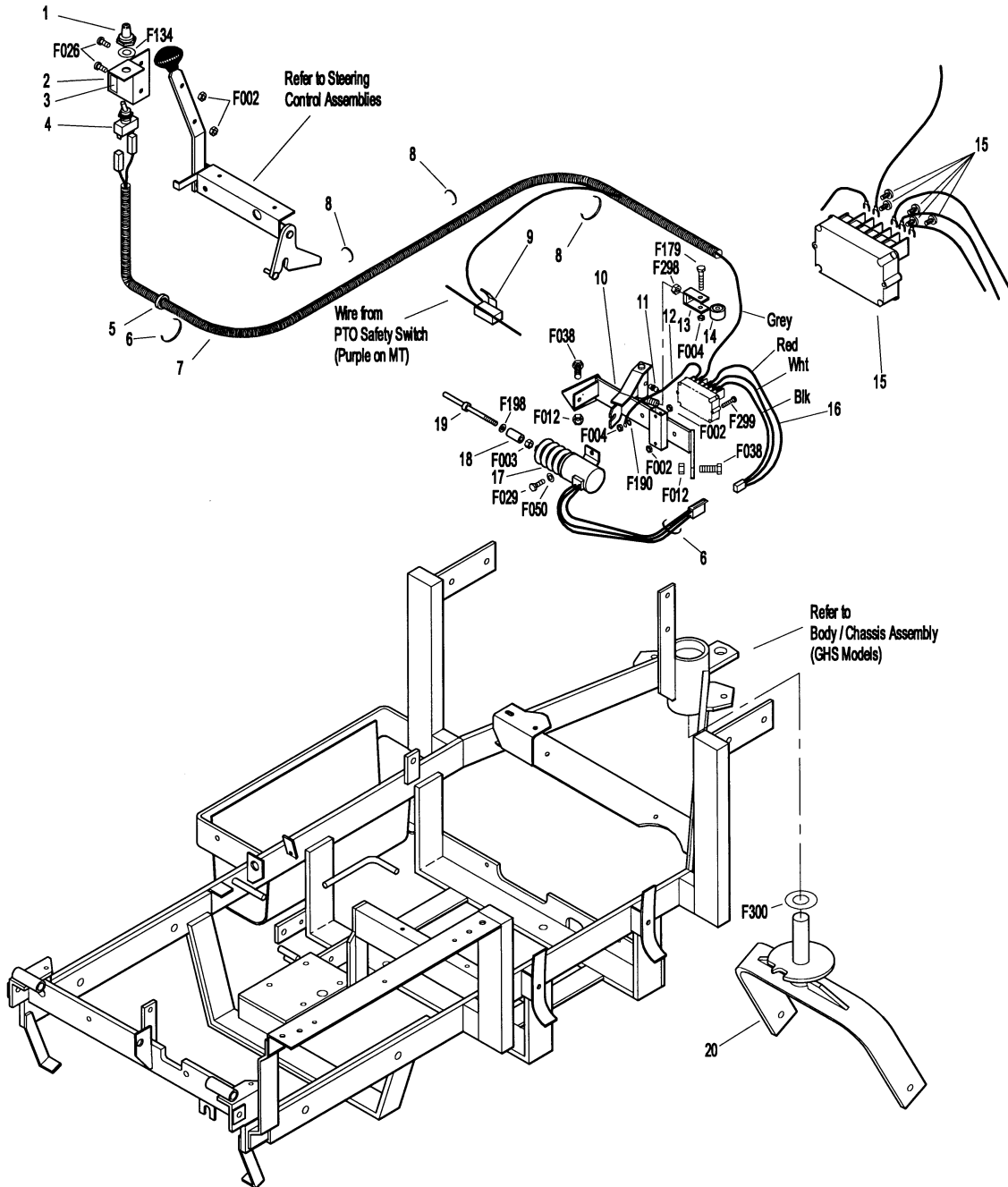
ITEM NO.	PART NO.	DESCRIPTION	NO. REQ'D	ITEM NO.	PART NO.	DESCRIPTION	NO. REQ'D
<b>8540 Tail Wheel Lock Kit*</b>				<b>Fasteners</b>			
1	5995-2	Switch Boot	1	F002		10-24 Keps Nut	6♦
2	8547	Switch Mount	1	F003		1/4-28 Hex Nut	1
3	8555	Decal, Tail Lock Switch	1	F004		1/4-20 Keps Nut	5♦
4	5995	Toggle Switch (Off-On)	1	F012		3/8-16 Keps Nut	2
5	5977-2	Grommet, Cut (1/8 x 3/8)	1	F026		10-24 x 1/2 PPHMS	4♦
6	5975-3	Cable Tie (50 # x 7")	2	F029		1/4-20 x 1/2 Hex Bolt	2
7	8550	Wire Harness	1	F038		3/8-16 x 1 Hex Bolt	2
8	5975-1	Cable Tie (18 # x 3-3/4")	3	F050		1/4 SAE Washer	2
9	8553	Splice Tap (18-14 GA)	1	F104		1/4-20 x 3/4 PFH Bolt	***
10	8543	Solenoid Mount	1	F134		AN960816L Washer	1
11	5830-3	Grease Fitting (45 Degree)	1	F179		1/4-20 x 1 Hex Bolt	1
12	8551	Ground Wire	1	F187		1/4-20 x 1-1/2 Hex Bolt	***
13	8544	Clevis, Wheel Lockout	1	F190		#10 Internal Star Lock Washer	1
14	8545	Sealed Needle Bearing	1	F198		.625 x .250 x .040 SS, Washer	1
15	8546	Solenoid, Control Module	1	F298		3/8-24 Jam Nut	1
16	8552	Connector Plug & Wire Assy	1	F299		10-24 x 1 PPHMS	2
17	7929	Actuating Solenoid	1	F300		1.015 x 1.500 x .031 Washer	1
18	8549	Sleeve, Delrin	1				
19	8541	Plunger Rod	1				
	8554	Solenoid Mount Assembly (Includes Items # 10-19, F002, F003, F004, F029, F050, F179, F190, F198, F298 & F299)	**				
20	8542	Locking Tail Wheel Fork	1				
21	8548	Spacer Block	***				
22	7941-4	Circuit Breaker (25 Amp)	***				
23	7047-5	Mount Plate	***				
24	5832	Cable Clamp (1/2)	***				
25	5975-3	Cable Tie (50 # x 7")	***				

- \* May be ordered as a factory-installed option or as a kit for dealer installation. Contact your Walker dealer.
- \*\* Service Part Only
- \*\*\* Item is not used on Model T tractors, but is included when kit is purchased for dealer installation. (These items are used only for installation on Model D tractors and are not shown here.)
- ♦ Indicates number of fasteners included when assembly is purchased as a kit for dealer installation. Actual number of fasteners used on Model T tractors will be two (2) less than the listed amount. Remaining fasteners are used only for installation on Model D tractors and are not shown here.

**NOTE:** Refer to Electrical Connectors (Page 36) for identification of all Electrical Wiring Service Parts.



# 8540 TAIL WHEEL LOCK KIT



# 8049 WIDE TAIL WHEEL / 8072 ALL-TERRAIN TIRE KITS & TIRE CHAIN SET

ITEM NO.	PART NO.	DESCRIPTION	NO. REQ'D
----------	----------	-------------	-----------

## 8049 Wide Tail Wheel Kit\*

1	8039	Nut, Tail Wheel Axle	***
2	8038-1	Spacer, Tail Wheel Axle	***
3	8037-1	Seal, Tail Wheel	2
4	8037	Bearing Cone (3/4 ID)	***
5	8045	Wide Tail Wheel & Tire Assembly (13 x 8.00-6)	1
	8045-1	Tire Only (13 x 8.00-6)	**
	8047	Wheel & Hub Only (6 x 7)	**
6	8038	Tail Wheel Axle (3/4 x 10-3/8)	***

## 8072 All-Terrain Tire Kit\*

7	8071	All-Terrain Wheel & Tire, LH (18 x 11.00-10)	1
8	8070-4	Wheel Spacer Plate (1/2)	2♦
9	8070	All-Terrain Wheel & Tire, RH (18 x 11.00-10)	1
	8070-1	AT Tire Only (18 x 11.00-10)	**
	8070-2	AT Wheel Only (10 x 8.5)	**

ITEM NO.	PART NO.	DESCRIPTION	NO. REQ'D
----------	----------	-------------	-----------

## Optional Tire Chain Set\*

10	5675-3	Tire Chain Set (18 x 9.50-8) (For use with Wide Wheel & Tire Assy)	1
----	--------	---	---

## Fasteners

F157	1/2-20 x 1-1/4 Wheel Lug Bolt	***
F205	5/16-18 x 1/4 Set Screw, Knurl Point	***
F218	7/16 Split Lock Washer	***
F219	7/16-14 x 1-1/4 Hex Bolt	***

\* May be ordered as a factory-installed option or as a kit for dealer installation. Contact your Walker dealer.

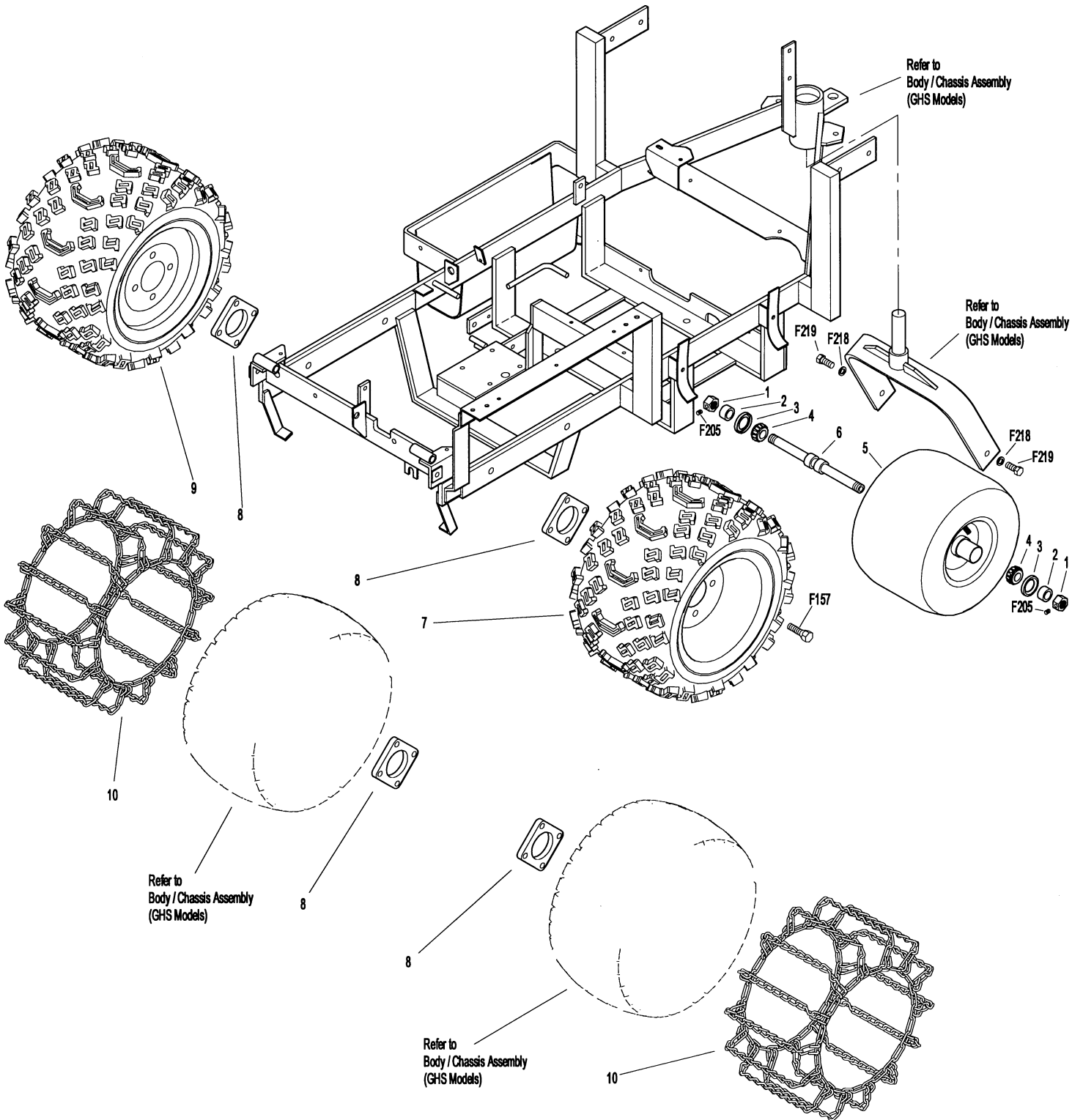
\*\* Service Part Only

\*\*\* These items are reused from Body / Chassis Assembly (GHS Models) and are not included with this kit. Refer to Body / Chassis Assembly (GHS Models), Page 4.

♦ Wheel Spacer Plates (Item 8) are included with Tire Chain Sets as well as with 8072 All-Terrain Tire Kit.

**NOTE:** Tire Chain Sets are not for use on All-Terrain Tires. Use only with tires listed at Item 10. Refer also to Body / Chassis Assembly (GHS Models), Page 4.

# 8049 WIDE TAIL WHEEL / 8072 ALL-TERRAIN TIRE KITS & TIRE CHAIN SET

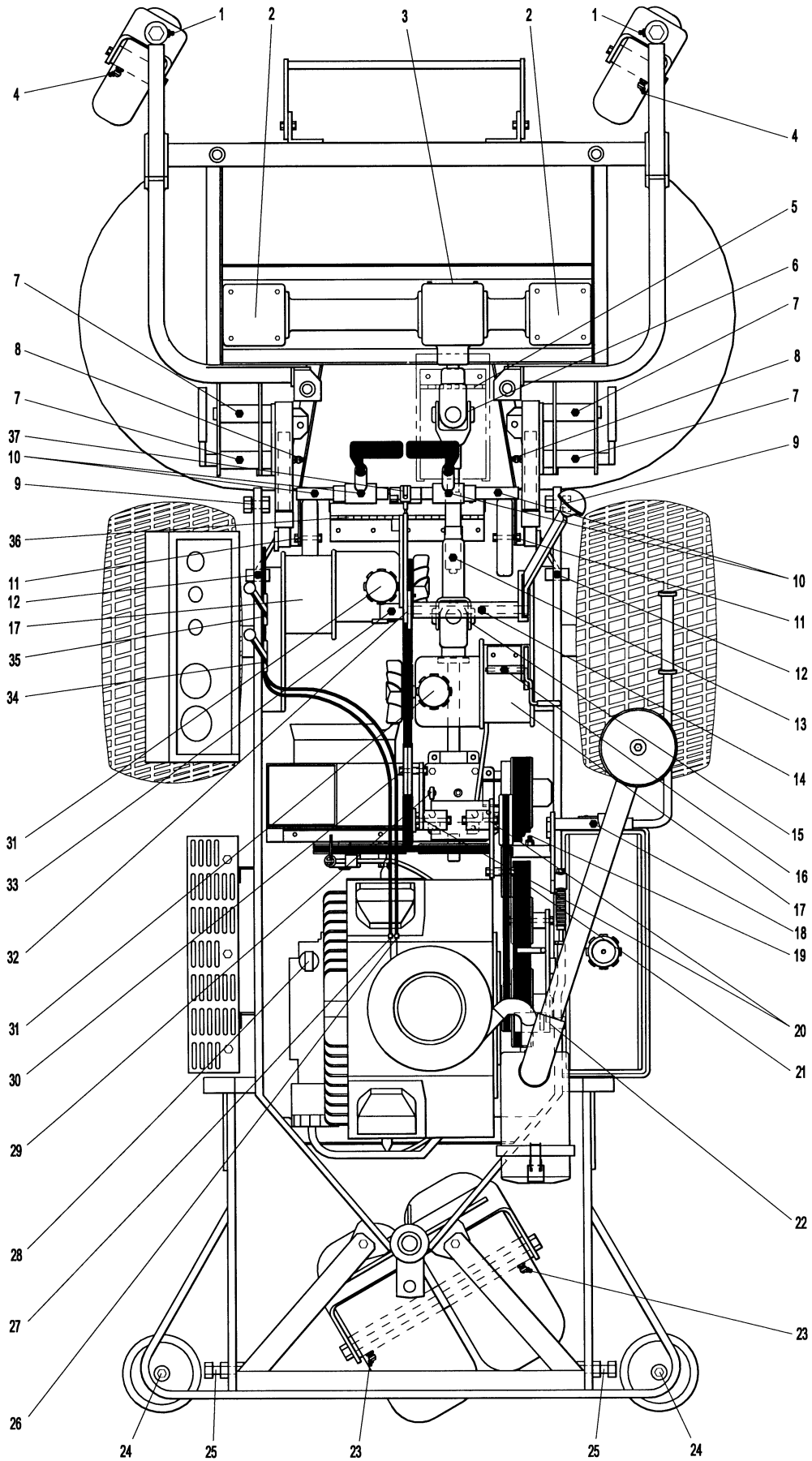


# LUBRICATION POINTS

ITEM NO.	LOCATION	LUBRICATION TYPE	NO. PLACES	ITEM NO.	LOCATION	LUBRICATION TYPE	NO. PLACES
<b>Lubrication Points</b>				25	Catcher Hinge Point	Oil	2
1	Deck Caster Wheel Fork Pivot	Grease	2	26	Throttle Control Cable Ends	Oil	2
2	Blade Drive Gearbox	Oil*	2	27	Choke Control Cable Ends	Oil	2
3	Tee Gearbox, Deck	Oil*	1	28	Engine Dipstick / Oil Filler	Oil***	1
4	Deck Caster Wheel Bearing	Grease	2	29	PTO Gearbox Dipstick	Oil	1
5	PTO Shaft Guard Hinge	Oil	1	30	Ground Drive Idler Pulley	Oil	2
6	Universal Joint Shaft Assembly	Grease**	1	31	Hydrostatic Drive	Oil***	2
7	Pivot Assembly, Tilt-Up Deck	Grease	4	32	FSC Lever Fork (Grease Slide Area)	Grease	1
8	Deck Support Arm Socket	Grease	2	33	(FSC) Friction Body Pivot	Grease	1
9	Body Hinge Point	Oil	2	34	Throttle Control Pivot	Oil	1
10	Steering Lever Pivot	Grease	4	35	Choke Control Pivot	Oil	1
11	Deck Roller Wheel	Oil	2	36	Discharge Chute Hinge	Oil	1
12	Deck Support Arm Pivot	Grease	2	37	FSC Actuator Rod Pivot Pins	Oil	2
13	Deck-to-PTO Coupling	Grease	1				
14	FSC Lever Pivot	Grease	1	*	Gearboxes are permanently lubricated and sealed requiring no scheduled lubrication. Oil level should be checked only when an oil leak is noted.		
15	Universal Joint Tube Assembly	Grease**	1	**	Grease every eight (8) hours.		
16	Parking Brake Lever	Grease	1	***	See Owner's Manual for procedure for checking and changing oil in Engine Crankcase, Hydrostatic Transmissions and Gear Axles.		
17	Gear Axle	Oil***	2				
18	Clutch Lever	Grease	1				
19	Brake Actuator	Grease	1				
20	Idler Arm Pivot	Oil	2				
21	Transmission Belt Tightener Arm Idler Pulley	Oil	1				
22	Clutch Actuator Push Rod	Grease	1				
23	Rear Wheel Axle	Grease	2				
24	Anti-Scuff Roller Wheel	Oil	2				

**NOTE:** DGHS42 Tilt-Up Mower Deck is shown for reference. For other Mower Deck Lubrication Points, Refer to Carrier Frame and Deck Illustrated Parts Manual.

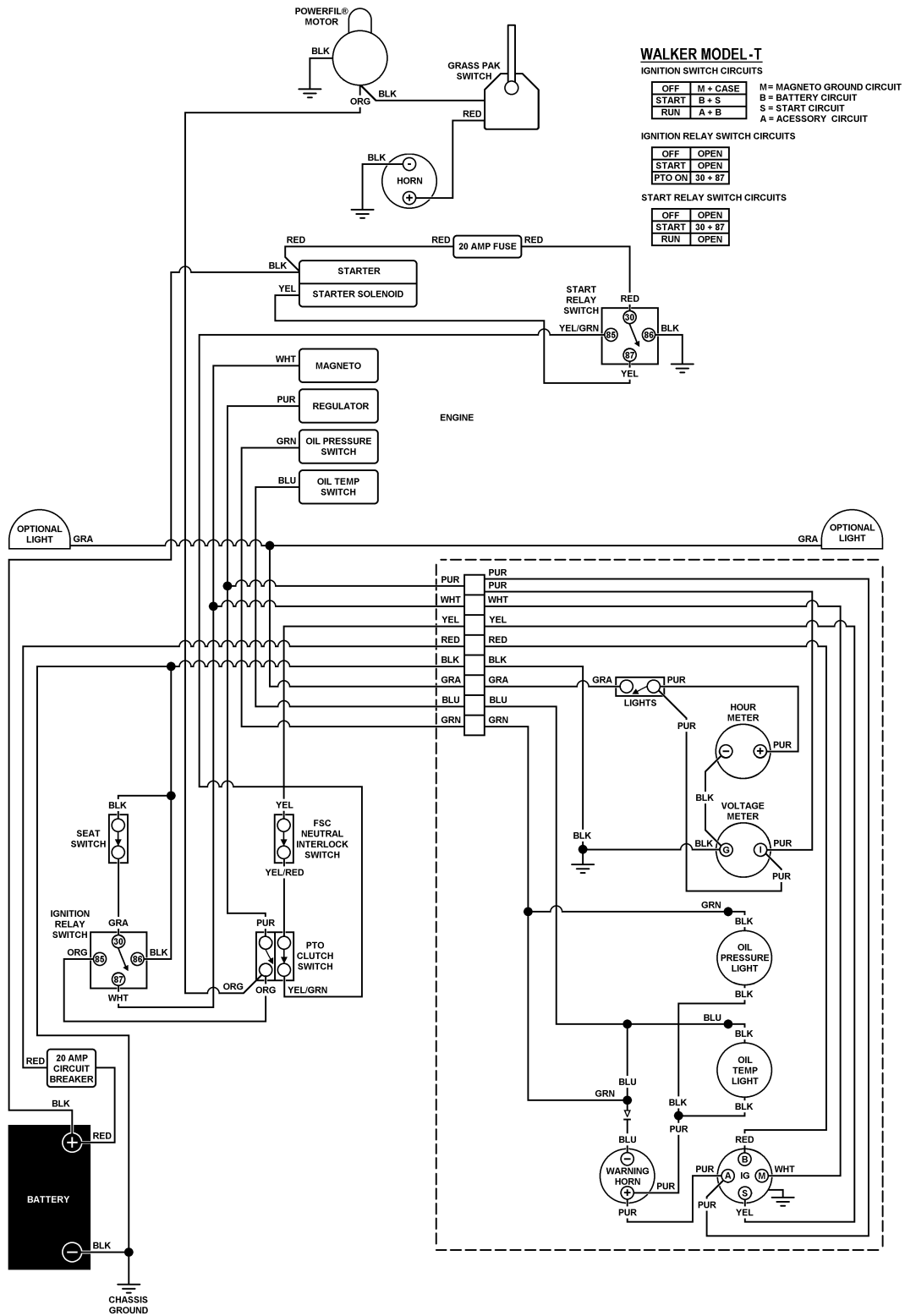
# LUBRICATION POINTS



Effective Date 05-22-97

Use only genuine Walker replacement parts.

# WIRING SCHEMATIC



Use only genuine Walker replacement parts.

Effective Date 05-22-97

# LIMITED WARRANTY FOR WALKER COMMERCIAL RIDER MOWER

## 1. WHAT THIS WARRANTY COVERS, AND FOR HOW LONG:

Walker Manufacturing company will, at its option, repair or replace, without charge, any part covered by this warranty which is found to be defective in material and/or workmanship within one (1) year\* after date of sale to the original retail purchaser unless the product is used for rental purposes, in which case this warranty is limited to ninety (90) days. At Walker's request, customer will make the defective part available for inspection by Walker and/or return the defective part to Walker, transportation charges prepaid. All parts and components of the Walker Mower are covered by this warranty **except** the following components which are warranted separately by their respective manufacturers:

Kohler Engine  
Kubota Engine  
Kawasaki Engine  
Eaton Hydraulic Transmission  
Peerless Gearboxes  
Battery  
Tires

The available warranties covering these items are furnished with each mower. Walker does not assume any warranty obligation, liability or modification for these items, which are covered exclusively by the stated warranty of the respective manufacturers noted above.

\* An extended three (3) year warranty is offered on the Walker P/N 6200 Gear Axle Assembly.

## 2. WHAT THIS WARRANTY DOES NOT COVER:

- A. This warranty does not cover defects caused by depreciation or damage caused by normal wear, accidents, improper maintenance, improper use or abuse of the product, alterations, or failure to follow the instructions contained in the Owner's Manual for operation and maintenance.
- B. The customer shall pay any charges for making service calls and/or for transporting the mower to and from the place where the inspection and/or warranty work is performed.

## 3. HOW TO OBTAIN SERVICE UNDER THIS WARRANTY:

Warranty service can be arranged by contacting the dealer where you purchased the mower or by contacting Walker Manufacturing Company, 5925 East Harmony Road, Ft. Collins, CO 80528. Proof of the date of purchase may be required to verify warranty coverage.

## 4. WARRANTY LIMITATION:

- A. **THERE IS NO OTHER EXPRESS WARRANTY. ANY WARRANTY THAT MAY BE IMPLIED FROM THIS PURCHASE INCLUDING MERCHANTABILITY AND FITNESS FOR A PARTICULAR PURPOSE IS HEREBY LIMITED TO THE DURATION OF THIS WARRANTY AND TO THE EXTENT PERMITTED BY LAW ANY AND ALL IMPLIED WARRANTIES ARE EXCLUDED.** Some states do not allow limitations on how long an implied warranty lasts, so the above limitations may not apply to you.
- B. **WALKER WILL NOT BE LIABLE FOR ANY INCIDENTAL, CONSEQUENTIAL, OR SPECIAL DAMAGES AND/OR EXPENSES IN CONNECTION WITH THE PURCHASE OR USE OF THE MOWER.** Some states do not allow the exclusion or limitation of incidental or consequential damages, so the above limitation(s) or exclusion(s) may not apply to you.
- C. Only the warranty expressed in this limited warranty shall apply and no dealer, distributor, or individual is authorized to amend, modify, or extend this warranty in any way. Accordingly, additional statements such as dealer advertising or presentations, whether oral or written, do not constitute warranties by Walker, and should not be relied upon.
- D. This warranty gives you specific legal rights, and you may also have other rights which vary from state to state.

# WALKER MOWERS™

WALKER MFG. CO. • 5925 E. HARMONY ROAD, FORT COLLINS, CO 80528 • (970) 221-5614  
FORM NO. 100997 PRINTED IN USA ©1997 WALKER MFG. CO