

WALKER

Illustrated Parts Manual

T25i



Beginning S/N: 134121
Effective Date: 05.01.15
P/N 8000-23

KEY TO ABBREVIATIONS USED IN THIS MANUAL

<i>Abbreviation</i>	<i>What it Represents</i>
° (Dimension)	Degrees (Angle)
" (Dimension)	inches
(-)	Negative (Polarity)
(+)	Positive (Polarity)
AT	All-Terrain
CCW	Counter-clockwise
Conn	Connector
CW	Clockwise
D	Diameter
DC	Deck, Collection (number refers to size in inches)
DM	Deck, Mulching (number refers to size in inches)
DR	Deck, Rear Discharge (number refers to size in inches)
DS	Deck, Side Discharge (number refers to size in inches)
DU	Garlock (Bearing)
ESNA (Fastener)	Nylon Insert Locknut
FSC	Forward Speed Control
GA	Gauge
gal	gallon
GHS	Grass Handling System
GR (Fastener)	Grade
HD	Heavy Duty
HP	Horse Power
ID	Identification or Inside Diameter
L	Length
LH	Left Hand (orientated with operator on seat)
LP	Low Profile
mm (Dimension)	millimeters
MS (Fastener)	Machine Screw
NS (as part number)	Item is not sold by Walker Manufacturing
OD	Outside Diameter
oz	ounce
PFH (Fastener)	Phillips Flat Head
P/N	Part Number
PPH (Fastener)	Phillips Pan Head
PTH (Fastener)	Phillips Truss Head
PTO	Power Take-Off
QKS	Quick Slide
qt	quart
RH	Right Hand (orientated with operator on seat)
SAE (Fastener)	Society of Automotive Engineers
SBH (Fastener)	Socket Button Head (Bolt)
SD	Side Discharge
SFH (Fastener)	Slotted Flat Head
SHC (Fastener)	Socket Head Cap
SHL (Fastener)	Shoulder (Bolt)
SM (Fastener)	Sheet Metal (Screw)
S/N	Serial Number
Spg	Spring
SQH (Fastener)	Square Head
SS (Fastener)	Stainless Steel
ST (Fastener)	Self-Tapping (Screw)
Term	Terminal
V	Volts

NOTE: In some instances, combinations of abbreviations may be used (e.g. PPHMS - Phillips Pan Head Machine Screw).

Beginning S/N 134121

Effective Date 05-01-15

Use only genuine Walker® replacement parts.

ILLUSTRATED PARTS LIST

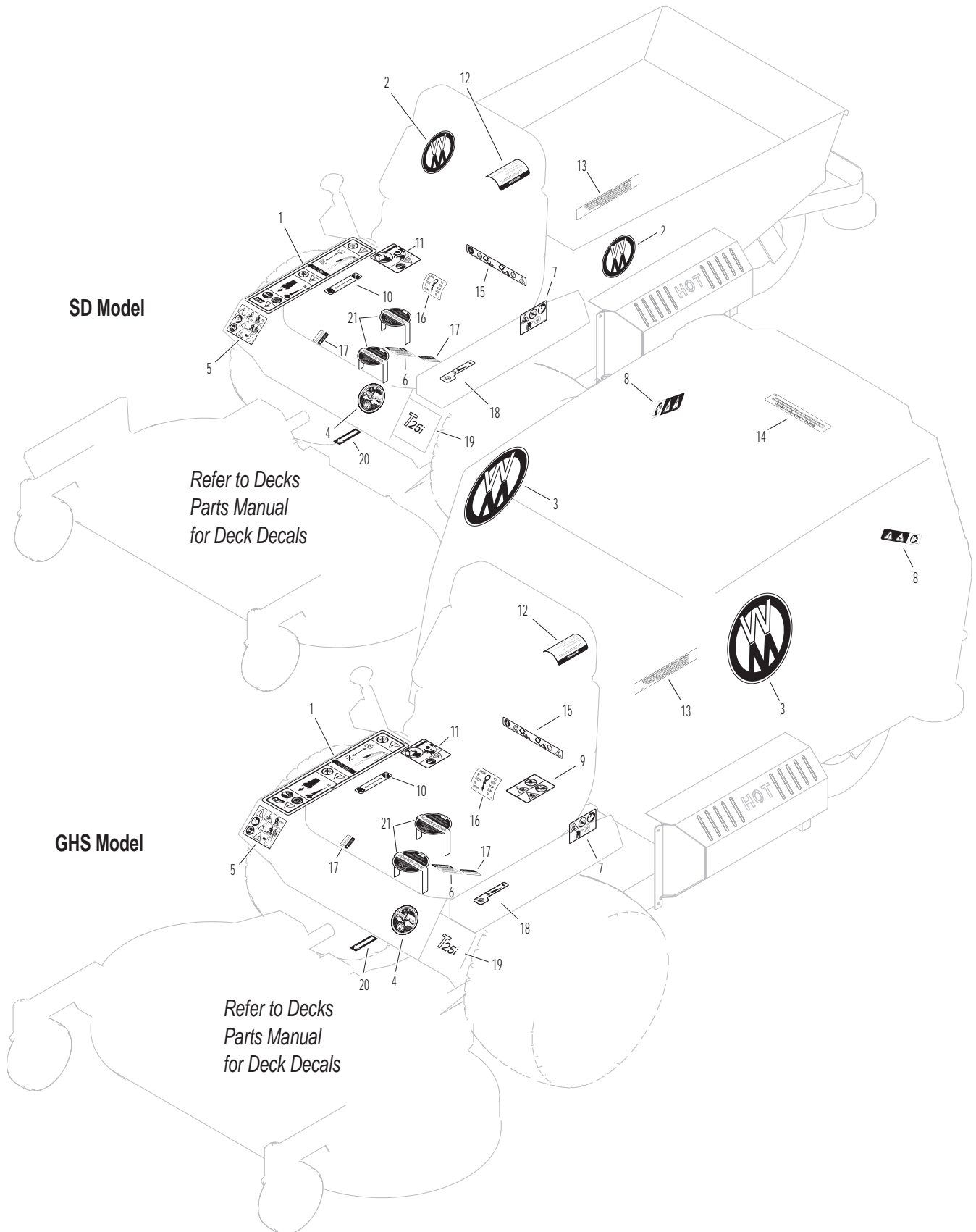
<i>Section of Tractor Covered</i>	<i>Page</i>	<i>Section of Tractor Covered</i>	<i>Page</i>
Decals		Electrical Components	
Tractor Decals	2	Electrical Assembly	34
Body / Chassis Assemblies		Electrical Assemblies (GHS 10.0 Bushel Components).....	36
Body / Chassis Assembly (GHS Models)	4	Electrical Connectors.....	38
Rear Body Assembly (GHS Models)	6	Maintenance	
Body Assembly (SD Models).....	8	Lubrication Points	40
Tractor Components		Wiring Schematic.....	42
Main Component Power Transmission		Maintenance And Service Record Sheet.....	43
(GHS Models)	10	Warranty	
(SD Models)	12	Limited Warranty	45
Engine Group.....	14		
Engine Group (Fuel Components)	16		
Hydrostatic Ground Drive Assemblies.....	18		
Steering Control Assemblies.....	20		
Throttle Control Assembly.....	22		
Parking Brake Assembly	24		
GHS Group	26		
GHS Powerfil® Assembly	28		
GHS 10.0 Bushel Catcher Assembly.....	30		
Instrument Panel Assembly	32		

TRACTOR DECALS

ITEM NO.	PART NO.	DESCRIPTION	LOCATION	NO. REQ'D. GHS	NO. REQ'D SD
Walker Product and Operation Decals					
1	8600-33	RH Fender	Body, RH Side Near Seat	1	1
2	5800	Walker Mower (4" Round)	Utility Bed (one on each side)	0	2
3	5800-11	Walker (8" Round)	10.0 Bushel Catcher (one on each side)	2	0
4	5856-1	Made in USA	Body	1	1
Danger Decals Warning Decals Caution Decals					
5	8600-34	Warning, Read Manual	Body	1	1
6	5810-3	Decal, Hydro Warning	LH Gear Axle Drive Assembly	1	1
7	8600-12	Danger, Engine Exhaust	Front Body, LH Side	1	1
8	8600-10	Danger, Pinch Point	10.0 Bushel Catcher Mounting Frame Assembly (one on each side)	2	0
9	8600-4	Danger, Rotating Blower Blades	Body, Near Body Chute	1	0
Maintenance Decals					
10	8600-30	Parking Brake	Body, RH Side Below Seat	1	1
11	8600-23	Body Latch Decal	Body, RH Side Below Seat	1	1
12	5082-5	Fuel Recommendations	Precleaner Tube	1	1
13	5855	Important, Engine Cooling	Engine	1	1
14	5869	Removable Screen	10.0 Bushel Catcher Removable Screen	1	0
15	8600-16	Front Body Closure	Rear Cross Member, Body	1	1
16	7827	Oil Level	Jackshaft Support	1	1
17	5810-1	Axle Oil Level	Gear Axle Drive Assemblies (one on each)	2	2
18	8600-31	Throttle	Body, LH Side	1	1
19	8821-11	Decal, T25i	Body	1	1
20	6875	PTO Alignment Arrow	Universal Joint Tube Assembly	1	1
21	NS	Sealed Reservoir	Hydrostatic Drives (one on each)	2	2

NOTE: All parts requiring decals are shipped with decals applied.

TRACTOR DECALS



BODY / CHASSIS ASSEMBLY (GHS MODELS)

ITEM NO.	PART NO.	DESCRIPTION	NO. REQ'D	ITEM NO.	PART NO.	DESCRIPTION	NO. REQ'D
Seat Assembly				46	8035	Tail Wheel & Tire Assembly (13 x 5.00-6) (With Bearing Race)	2
1	5103	Seat	1				
2	7203-1	Seat Spring Plate	1		7035-1	Tail Wheel Tire (13 x 5.00-6)	**
3	7223-4	Compression Spring	2		8036	Wheel & Hub (6 x 3.25) (Includes Items # 41 & Bearing Race)	**
4	7845-1	Rubber Bumper (1.375 x .750)	2				
5	7846	Washer (3/8 ID x 1-1/4 OD x 1/8)	2		8037-2	Bearing Race	**
6	5841-1	Retainer Washer	2	47	8768-2	Seal, Reverse Lip	2
7	7440-5	Shock Mount (1-1/4 x 3/4)	2	48	8038	Tail Wheel Axle (3/4 x 10-3/8)	1
Rear Bumper Assembly (GHS Models Only)*				49	7070	Wheel & Tire Assembly (18 x 9.50-8)	2
8	7516	GHS Rear Bumper	1		7070-1	Drive Tire (18 x 9.50-8)	**
9	7516-5	Catcher Pivot Bushing	2		5070-4	Wide Wheel (8 x 7)	**
10	5162	Roller Wheel (5" Rubber)	2	50	5140-17	FSC Support	**
11	7517-2	Catcher Pivot Plate	2	51	8300-16	Chassis Frame (EFI / 5.0 gal.)	1
Body Assembly				Fasteners			
12	NS	Body ID Plate	1		F002	10-24 Keps Nut	2
13	5989-12	Dome Plug (3/16)	1		F004	1/4-20 Keps Nut	2
14	5989-10	Dome Plug (9/16)	1		F005	1/4-20 ESNA Nut	1
15	5845	Rubber Bumper (1.50 OD x 1.25)	4		F009	5/16-18 Whiz Locknut	12
16	8118	Heat Deflector	1		F012	3/8-16 Keps Nut	8
17	7422	Panel Guard	1		F013	3/8-16 Whiz Locknut	2
18	5989-4	Dome Plug (3/8)	4		F014	3/8-16 ESNA Nut	4
19	5989-3	Dome Plug (5/16)	2		F020	5/16-18 ESNA Nut	1
20	5146	10mm Ball Stud	2		F025	10-24 x 3/8 PPHMS	2
21	7844	Rubber Bumper (1.25 OD x .250)	1		F029	1/4-20 x 1/2 Hex Bolt	2
22	2145	Gas Spring	1		F031	1/4-20 x 5/8 Hex Bolt	1
23	7222	Extension Spring (1/4 x 3)	1		F034	5/16-18 x 3/4 Hex Bolt	2
24	7383-3	Body Latch Hook (2-1/2 Side Bars)	1		F038	3/8-16 x 1 Hex Bolt	6
25	7854	Plastic Tip, Red	1		F040	3/8-16 x 1-1/2 Hex Bolt	2
26	5989-9	Dome Plug (1/4)	8		F042	3/8-16 x 2-1/4 Hex Bolt	2
27	8100-5	Front Body	1		F050	1/4 SAE Washer	1
28	5180	Edge Molding, Lever Opening	2		F051	3/8 SAE Washer	2
29	5989-55	Dome Plug (1/2)	1		F059	3/8 Wave Spring Washer	2
30	5989-5	Dome Plug (7/16)	1		F093	5/16-18 x 1 Hex Bolt	1
Tilt-Up Latch Assembly***					F151	3/8-16 x 7/8 Hex Bolt	2
31	5847	Plastic Tip	1		F157	1/2-20 x 1-1/4 Wheel Lug Bolt	8
32	5744-20	Spring Arm, Tilt-Up Latch	1		F205	5/16-18 x 1/4 Set Screw, Knurl Point	2
33	5744-10	Spring Pivot Bushing	1		F206	#2 x 3/16 Drive Pin	2
34	5744-15	Compression Spring (3/8 x 5/8)	1		F218	7/16 Split Lock Washer	2
35	5744-13	Mount Angle, LH	1		F219	7/16-14 x 1-1/4 Hex Bolt	2
36	5744-12	Hook, Tilt-Up Latch	1		F227	3/8 x 1-1/4 x 1/8 Plastic Washer	2
37	5744-14	Mount Angle, RH	1		F241	.375 x .875 x .10 Washer	4
Chassis Assembly					F257	3/8 x 1-11/16 Shoulder Bolt	2
38	5267-1	Retainer Collar (1") (Includes Item # F413)	1		F341	Coil Roll Pin (7/64 x 9/16)	1
39	5270-1	Pivot Bearing	2		F342	5/16 Conical Washer	2
40	7420	Tail Wheel Fork	1		F413	5/16-24 x 5/16 Set Screw	2
41	5830-3	Grease Fitting (45 Degree)	2				
42	8039	Nut, Tail Wheel Axle	2				
43	8037-1	Seal, Outer (1-3/4 x 1-1/8)	2				
44	8038-1	Spacer, Tail Wheel Axle (.750 x ID x 1.125 OD)	2				
45	8037	Bearing Cone (3/4 ID)	4				

* Rear Bumper Assembly for SD Models is not shown here. Refer to **BODY ASSEMBLY (SD MODELS)**, Page 8.

** Service Part Only

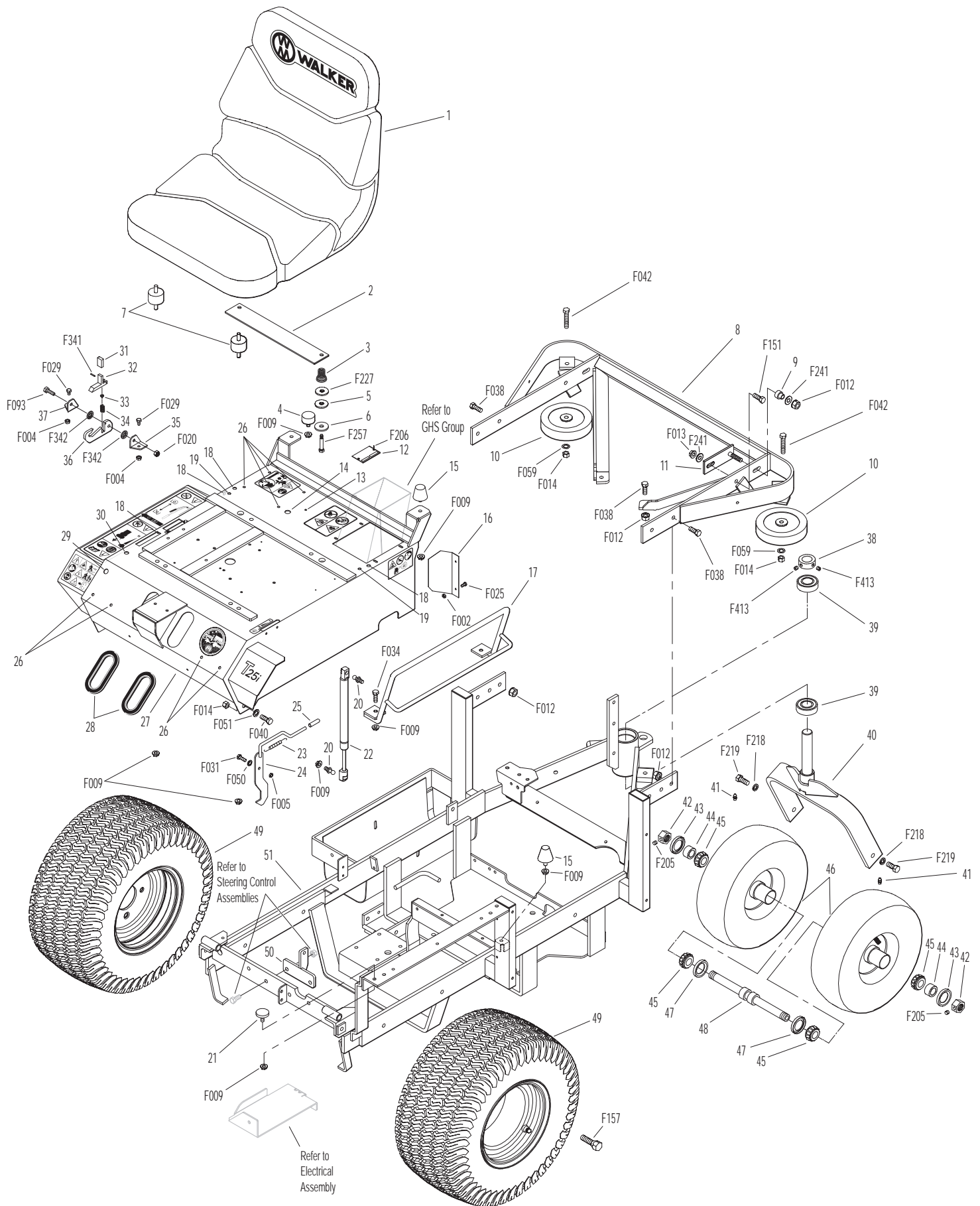
*** Complete Tilt-Up Latch Assembly Kit available by ordering kit # 5747.

Beginning S/N 134121

Effective Date 05-01-15

Use only genuine Walker® replacement parts.

BODY / CHASSIS ASSEMBLY (GHS MODELS)

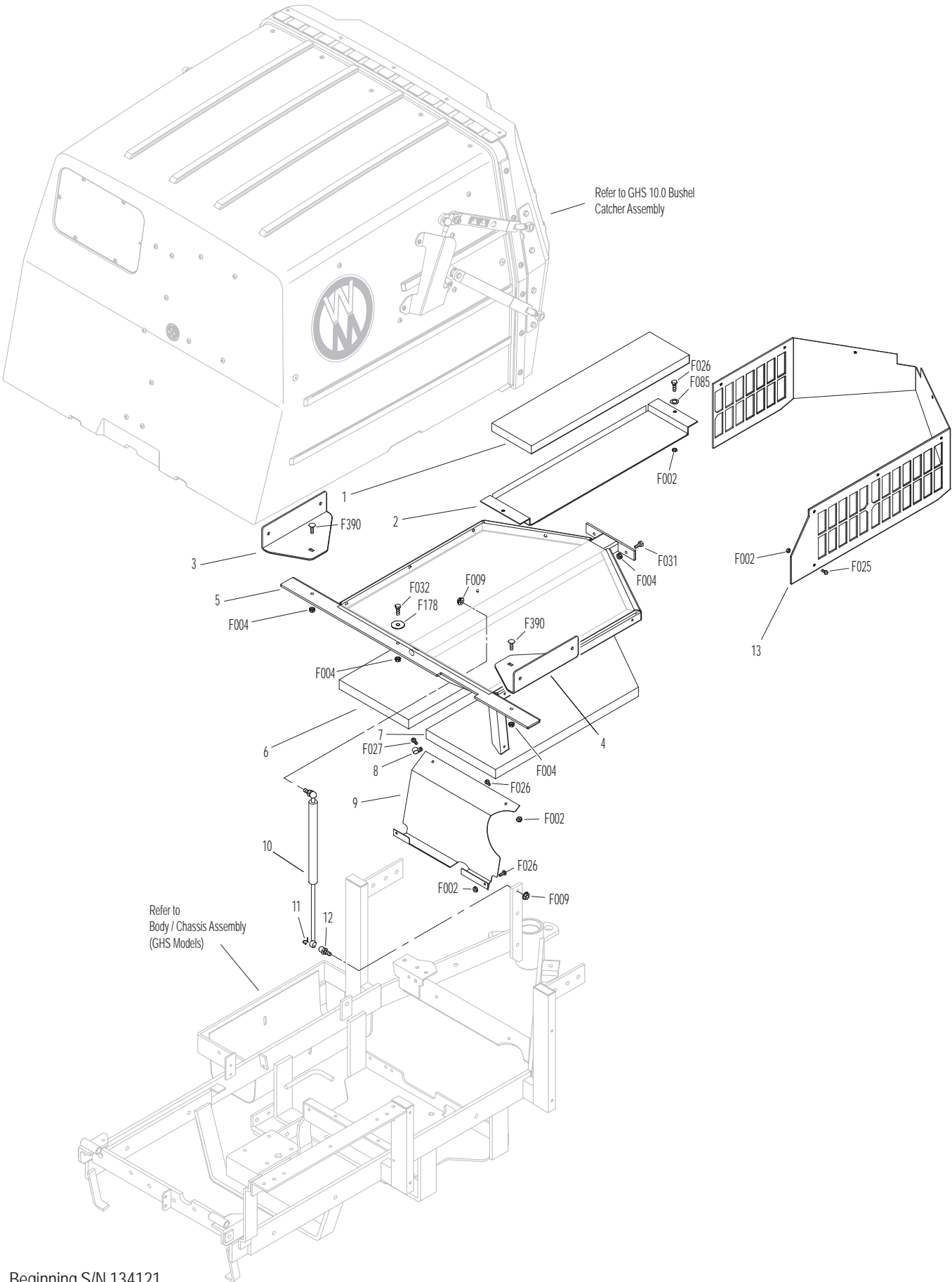


Beginning S/N 134121
 Effective Date 05-01-15
 Use only genuine Walker® replacement parts.

REAR BODY ASSEMBLY (GHS MODELS)

ITEM NO.	PART NO.	DESCRIPTION	NO. REQ'D	ITEM NO.	PART NO.	DESCRIPTION	NO. REQ'D
Rear Body Assembly (GHS Models)				Fasteners			
1	7190-3	Insulation Foam Pad (5 x 20)	1	F002		10-24 Keps Nut	14
2	8082	Heat Shield	1	F004		1/4-20 Keps Nut	5
3	8515-14	Catcher Handle Plate, RH	1	F009		5/16-18 Whiz Locknut	2
4	8515-13	Catcher Handle Plate, LH	1	F025		10-24 x 3/8 PPHMS	8
5	8615-3	Catcher Support Frame, 10.0	1	F026		10-24 x 1/2 PPHMS	5
6	7190-2	Insulation Foam Pad, RH	1	F027		10-24 x 5/8 PPHMS	1
7	7190-1	Insulation Foam Pad, LH	1	F031		1/4-20 x 5/8 Hex Bolt	2
8	5832	Cable Clamp (1/2)	1	F032		1/4-20 x 3/4 Hex Bolt	1
9	8389-4	Splash Guard	1	F085		3/16 Rivet Backup Washer	2
10	7145	Gas Spring Assembly (Includes Items # 11 & 12)	1	F178		1/4 x 1 Fender Washer	1
11	7147	Spring Clip	2	F390		1/4-20 x 7/8 Carriage Bolt	2
12	7146	13mm Ball Stud	2	NOTE: Rear Bumper Assembly for GHS Models is not shown here. Refer to BODY / CHASSIS ASSEMBLY (GHS MODELS) , Page 4.			
13	8105-1	Rear Body Panel	1				

REAR BODY ASSEMBLY (GHS MODELS)



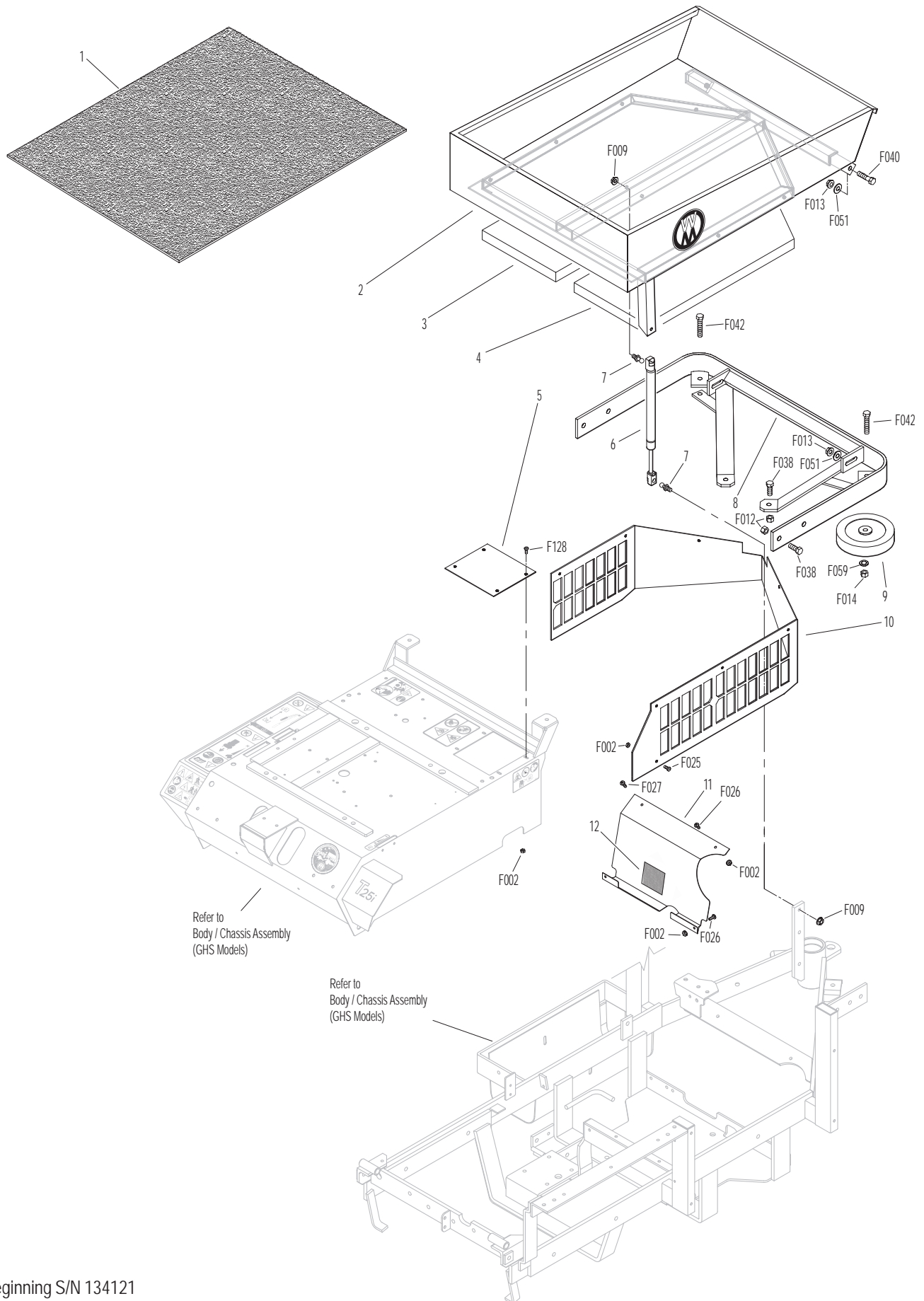
Beginning S/N 134121
 Effective Date 05-01-15
 Use only genuine Walker® replacement parts.

BODY ASSEMBLY (SD MODELS)

ITEM NO.	PART NO.	DESCRIPTION	NO. REQ'D	ITEM NO.	PART NO.	DESCRIPTION	NO. REQ'D
Utility Bed Assembly				Fasteners			
1	8650-10	Bed Liner (21.5 x 27.5)	1	F002		10-24 Keps Nut	16
2	8650-2	Utility Bed (Includes Item # 1)	1	F009		5/16-18 Whiz Locknut	2
3	7190-2	Insulation Foam Pad, RH	1	F012		3/8-16 Keps Nut	6
4	7190-1	Insulation Foam Pad, LH	1	F013		3/8-16 Whiz Locknut	4
Rear Bumper Assembly (SD Models)				F014		3/8-16 ESNA Nut	2
5	7153-3	Cover Plate	1	F025		10-24 x 3/8 PPHMS	8
6	7145	Gas Spring Assembly (Includes Item # 7)	1	F026		10-24 x 1/2 PPHMS	3
7	7146	13mm Ball Stud	2	F027		10-24 x 5/8 PPHMS	1
8	7521	Rear Bumper	1	F038		3/8-16 x 1 Hex Bolt	6
9	5162	Roller Wheel (5" Rubber)	2	F040		3/8-16 x 1-1/2 Hex Bolt	2
10	8105-1	Rear Body Panel	1	F042		3/8-16 x 2-1/4 Hex Bolt	2
11	8389-2	Splash Guard with Mat (Includes Item # 12)	1	F051		3/8 SAE Washer	4
12	8389-12	Rubber Mat (3 x 3)	1	F059		3/8 Wave Spring Washer	2
				F128		10-24 x 3/8 PTHMS	4

NOTE: Refer to **BODY / CHASSIS ASSEMBLY (GHS MODELS)**,
Page 4 for all common parts used on both models.

BODY ASSEMBLY (SD MODELS)



Beginning S/N 134121
 Effective Date 05-01-15
 Use only genuine Walker® replacement parts.

MAIN COMPONENT POWER TRANSMISSION (GHS MODELS)

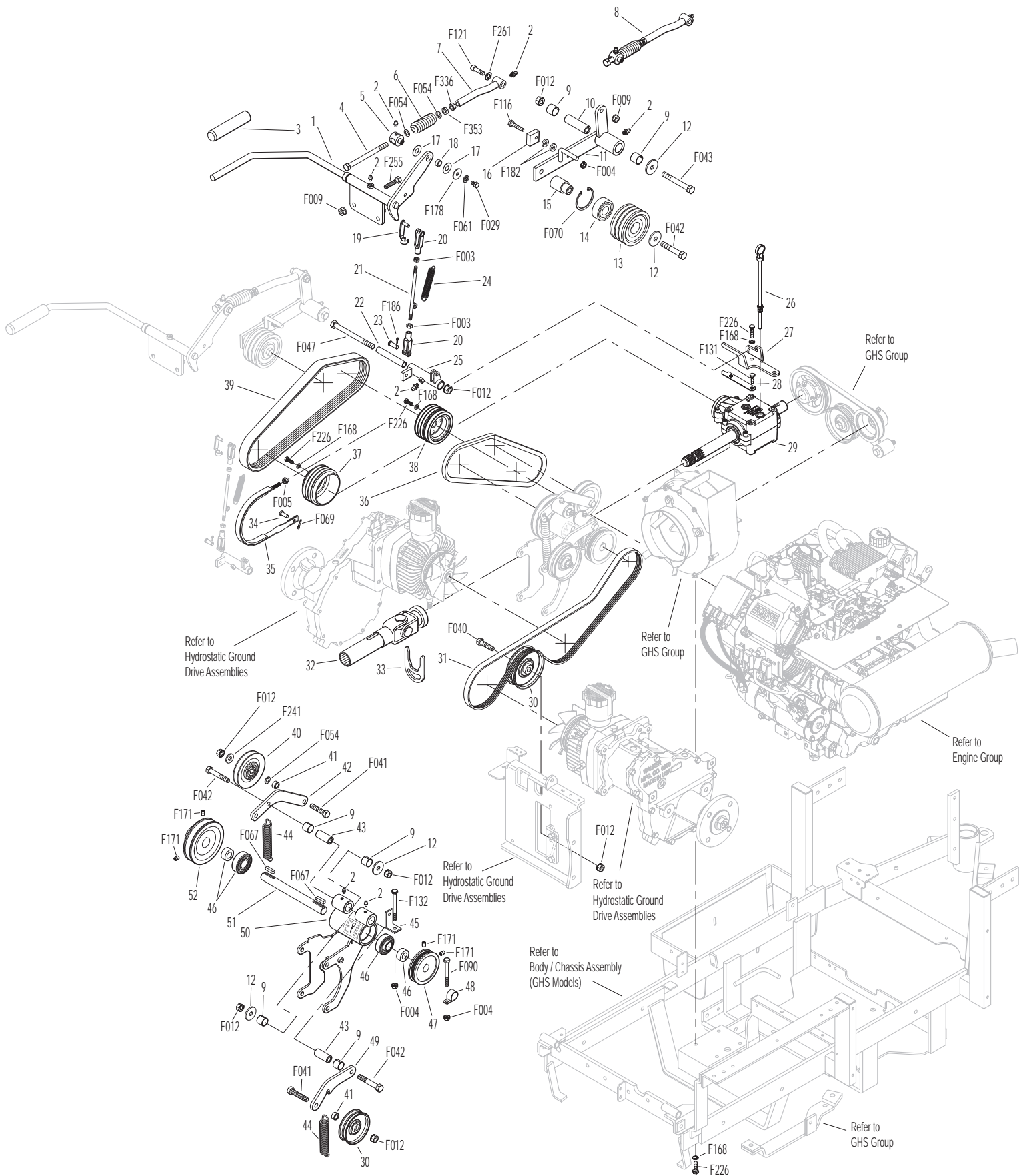
ITEM NO.	PART NO.	DESCRIPTION	NO. REQ'D	ITEM NO.	PART NO.	DESCRIPTION	NO. REQ'D
Clutch Lever Assembly				41	6325-2	Spacer Bushing (5/16)	2
1	8358-3	Clutch Lever (Includes Items # 2 & 3)	1	42	8349-2	Idler Arm	1
2	5830	Grease Fitting	7	43	7201-4	Inner Race (1-1/2)	2
3	4850	Handle Grip, Black	1	44	5221-1	Extension Spring (3/4 x 5)	2
4	7303-10	Clutch Actuator Bolt (3/8)	1	45	8539	Starter Relay Mount	1
5	7380-5	Knuckle Joint (3/8 ID)	1	46	5268	Bearing W/Collar (3/4)	2
6	7226-10	Compression Spring (3/4 x 2-1/2)	1	47	7241-2	Transmission Drive Pulley (3-1/4MV) (Includes Items # F067 & F171)	1
7	8130-5	Pushrod, Clutch Actuator (Threaded Tube) (Includes Item # 2)	1	48	7833	Cable Clamp (7/8 x 1/4)	1
8	8130-10	Clutch Actuator Rod Assembly (Includes Items # 2, 4-7, F054, F336 & F353)	1	49	8349	Transmission Belt Tightener Arm	1
9	7201-3	Fiberglide Bearing	6	50	8393-7	Hydro Jackshaft Mount	1
10	7201-5	Inner Race (2-1/4)	1	8394-1	Hydro Jackshaft Mount Assembly (Includes Items # 2, 9, 43, 46, 50 & 51)	*	
11	8368	PTO Belt Tightener	1	51	8273	Jackshaft (3/4 x 7-1/2)	1
12	5841	Retainer Washer (3/8 x 1-1/4)	4	52	7240-4	Jackshaft Drive Pulley (3.3/3V) (Includes Items # F067 & F171)	1
13	8243-1	Clutch Idler Pulley	1	Fasteners			
	8243	Clutch Idler Pulley Assembly (Includes Items # 14, 15 & F070)	*	F003	1/4-28 Hex Nut		2
14	5265	Bearing (3/4)	1	F004	1/4-20 Keps Nut		3
15	8243-3	Hub, Idler Pulley	1	F005	1/4-20 ESNA Nut		1
16	8375	PTO Belt Tightener Stop	1	F009	5/16-18 Whiz Locknut		3
17	7377	Plastic Washer (1 x .438 x .025)	2	F012	3/8-16 Keps Nut		7
18	7378	Pivot Bearing (7/16 x 9/16)	1	F029	1/4-20 x 1/2 Hex Bolt		1
19	5281-1	Clevis Spring Pin	1	F040	3/8-16 x 1-1/2 Hex Bolt		1
20	5280	Clevis (1/4)	2	F041	3/8-16 x 1-3/4 Hex Bolt		2
21	8305	Brake Actuator Rod	1	F042	3/8-16 x 2-1/4 Hex Bolt		3
22	8370	Bearing, Brake Actuator	1	F043	3/8-16 x 3 Hex Bolt		1
23	5281-5	Clevis Pin (1/4 x 0.80)	1	F047	3/8-16 x 4-1/2 Hex Bolt		1
24	8250	Brake Spring (1/2 x 2-1/2)	1	F054	AN960616 Washer		3
25	8369	Brake Actuator (Includes Items # 2 & 22)	1	F061	1/4 Internal Star Lock Washer		1
PTO Drive Shaft Assembly				F067	3/16 x 3/16 x 1 Key		2
26	7050-1	Dipstick, Gearbox	1	F069	3/32 x 1/2 Cotter Pin		1
27	8371-1	Mount Bracket, Brake Band	1	F070	1-3/4 Internal Snap Ring		1
28	8377	Brake Band Guide	1	F090	1/4-20 x 2-1/2 Hex Bolt		1
29	8050-11	PTO Gearbox / Flange Pulley	1	F116	1/4-20 x 1-1/4 Hex Bolt		1
30	5245	Idler Pulley (3")	2	F121	5/16-18 x 3/8 x 1 SHL Bolt		1
31	7248	Ground Drive Belt, Micro-V	1	F131	5/16-18 x 1/2 Hex Bolt		2
32	7275-16	Universal Joint Tube Assembly / Spline	1	F132	1/4-20 x 2-3/4 Hex Bolt		1
33	7275-9	Quick Coupler Installation Tool	1	F168	5/16 Split Lock Washer		14
34	7523-2	Clevis Pin W/Hole (1/4 x 5/8)	1	F171	5/16-18 x 3/8 Set Screw		4
35	8304	Brake Band (14-1/2)	1	F178	1/4 x 1 Fender Washer		1
36	6250-1	Drive Belt (3VX370)	1	F182	1/4 x 5/8 x 1/8 Washer		2
37	7236-1	PTO Drive Pulley (4-1/2/3V) (Includes Items # F168 & F226)	1	F186	5/64 x 1/2 Cotter Pin		1
38	8237-2	Engine Pulley, Bolt On (4/3.8/3V) (Includes Items # F168 & F226)	1	F226	5/16-18 x 7/8 Hex Bolt		14
39	8230	Engine PTO Belt	1	F241	.375 x .875 x .10 Washer		1
Jackshaft Assembly				F255	5/16-18 x 1-1/2 Hex Bolt		2
40	7245-1	Idler Pulley (3/8 Groove)	1	F261	AN960616L Washer		1
				F336	3/8-16 Jam Nut		1
				F353	3/8-16 ESNA LP Nut		1
				*	Service Part Only		

Beginning S/N 134121

Effective Date 05-01-15

Use only genuine Walker® replacement parts.

MAIN COMPONENT POWER TRANSMISSION (GHS MODELS)



Beginning S/N 134121
 Effective Date 05-01-15
 Use only genuine Walker® replacement parts.

MAIN COMPONENT POWER TRANSMISSION (SD MODELS)

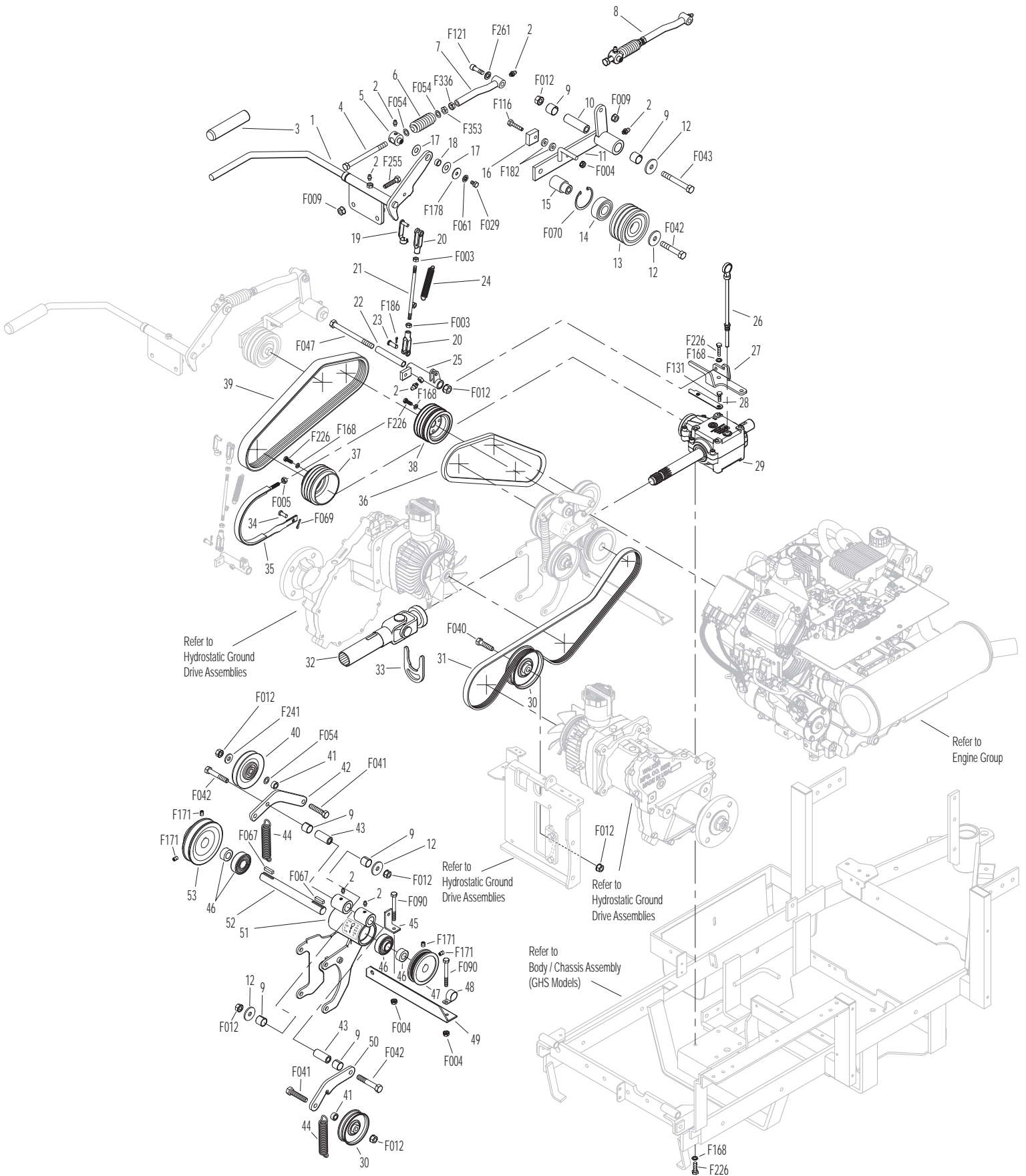
ITEM NO.	PART NO.	DESCRIPTION	NO. REQ'D	ITEM NO.	PART NO.	DESCRIPTION	NO. REQ'D
Clutch Lever Assembly				42	8349-2	Idler Arm	1
1	8358-3	Clutch Lever (Includes Items # 2 & 3)	1	43	7201-4	Inner Race (1-1/2)	2
2	5830	Grease Fitting	7	44	5221-1	Extension Spring (3/4 x 5)	2
3	4850	Handle Grip, Black	1	45	8539	Starter Relay Mount	1
4	7303-10	Clutch Actuator Bolt (3/8)	1	46	5268	Bearing W/Collar (3/4)	2
5	7380-5	Knuckle Joint (3/8 ID)	1	47	7241-2	Transmission Drive Pulley (3-1/4MV) (Includes Items # F067 & F171)	1
6	7226-10	Compression Spring (3/4 x 2-1/2)	1	48	7833	Cable Clamp (7/8 x 1/4)	1
7	8130-5	Pushrod, Clutch Actuator (Threaded Tube) (Includes Item # 2)	1	49	7394-6	Idler Pulley Spring Mount	1
8	8130-10	Clutch Actuator Rod Assembly (Includes Items # 2, 4-7, F054, F336 & F353)	1	50	8349	Transmission Belt Tightener Arm	1
9	7201-3	Fiberglide Bearing	6	51	8393-7	Hydro Jackshaft Mount	1
10	7201-5	Inner Race (2-1/4)	1		8394-1	Hydro Jackshaft Mount Assembly (Includes Items # 2, 9, 43, 46, 51 & 52)	*
11	8368	PTO Belt Tightener	1	52	8273	Jackshaft (3/4 x 7-1/2)	1
12	5841	Retainer Washer (3/8 x 1-1/4)	4	53	7240-4	Jackshaft Drive Pulley (3.3/3V) (Includes Items # F067 & F171)	1
13	8243-1	Clutch Idler Pulley	1	Fasteners			
	8243	Clutch Idler Pulley Assembly (Includes Items # 13-15 & F070)	*	F003	1/4-28 Hex Nut		2
14	5265	Bearing (3/4)	1	F004	1/4-20 Keps Nut		3
15	8243-3	Hub, Idler Pulley	1	F005	1/4-20 ESNA Nut		1
16	8375	PTO Belt Tightener Stop	1	F009	5/16-18 Whiz Locknut		3
17	7377	Plastic Washer (1 x .438 x .025)	2	F012	3/8-16 Keps Nut		7
18	7378	Pivot Bearing (7/16 x 9/16)	1	F029	1/4-20 x 1/2 Hex Bolt		1
19	5281-1	Clevis Spring Pin	1	F040	3/8-16 x 1-1/2 Hex Bolt		1
20	5280	Clevis (1/4)	2	F041	3/8-16 x 1-3/4 Hex Bolt		2
21	8305	Brake Actuator Rod	1	F042	3/8-16 x 2-1/4 Hex Bolt		3
22	8370	Bearing, Brake Actuator	1	F043	3/8-16 x 3 Hex Bolt		1
23	5281-5	Clevis Pin (1/4 x 0.80)	1	F047	3/8-16 x 4-1/2 Hex Bolt		1
24	8250	Brake Spring (1/2 x 2-1/2)	1	F054	AN960616 Washer		3
25	8369	Brake Actuator (Includes Items # 2 & 22)	1	F061	1/4 Internal Star Lock Washer		1
PTO Drive Shaft Assembly				F067	3/16 x 3/16 x 1 Key		2
26	7050-1	Dipstick, Gearbox	1	F069	3/32 x 1/2 Cotter Pin		1
27	8371-1	Mount Bracket, Brake Band	1	F070	1-3/4 Internal Snap Ring		1
28	8377	Brake Band Guide	1	F090	1/4-20 x 2-1/2 Hex Bolt		2
29	8050-11	PTO Gearbox / Flange Pulley	1	F116	1/4-20 x 1-1/4 Hex Bolt		1
30	5245	Idler Pulley (3")	2	F121	5/16-18 x 3/8 x 1 SHL Bolt		1
31	7248	Ground Drive Belt, Micro-V	1	F131	5/16-18 x 1/2 Hex Bolt		2
32	7275-16	Universal Joint Tube Assembly / Spine	1	F168	5/16 Split Lock Washer		14
33	7275-9	Quick Coupler Installation Tool	1	F171	5/16-18 x 3/8 Set Screw		4
34	7523-2	Clevis Pin W/Hole (1/4 x 5/8)	1	F178	1/4 x 1 Fender Washer		1
35	8304	Brake Band (14-1/2)	1	F182	1/4 x 5/8 x 1/8 Washer		2
36	6250-1	Drive Belt (3VX370)	1	F186	5/64 x 1/2 Cotter Pin		1
37	7236-1	PTO Drive Pulley (4-1/2/3V) (Includes Items # F168 & F226)	1	F226	5/16-18 x 7/8 Hex Bolt		14
38	8237-2	Engine Pulley, Bolt On (4/3.8/3V) (Includes Items # F168 & F226)	1	F241	.375 x .875 x .10 Washer		1
39	8230	Engine PTO Belt	1	F255	5/16-18 x 1-1/2 Hex Bolt		2
Jackshaft Assembly				F261	AN960616L Washer		1
40	7245-1	Idler Pulley (3/8 Groove)	1	F336	3/8-16 Jam Nut		1
41	6325-2	Spacer Bushing (5/16)	2	F353	3/8-16 ESNA LP Nut		1
				* Service Part Only			

Beginning S/N 134121

Effective Date 05-01-15

Use only genuine Walker® replacement parts.

MAIN COMPONENT POWER TRANSMISSION (SD MODELS)

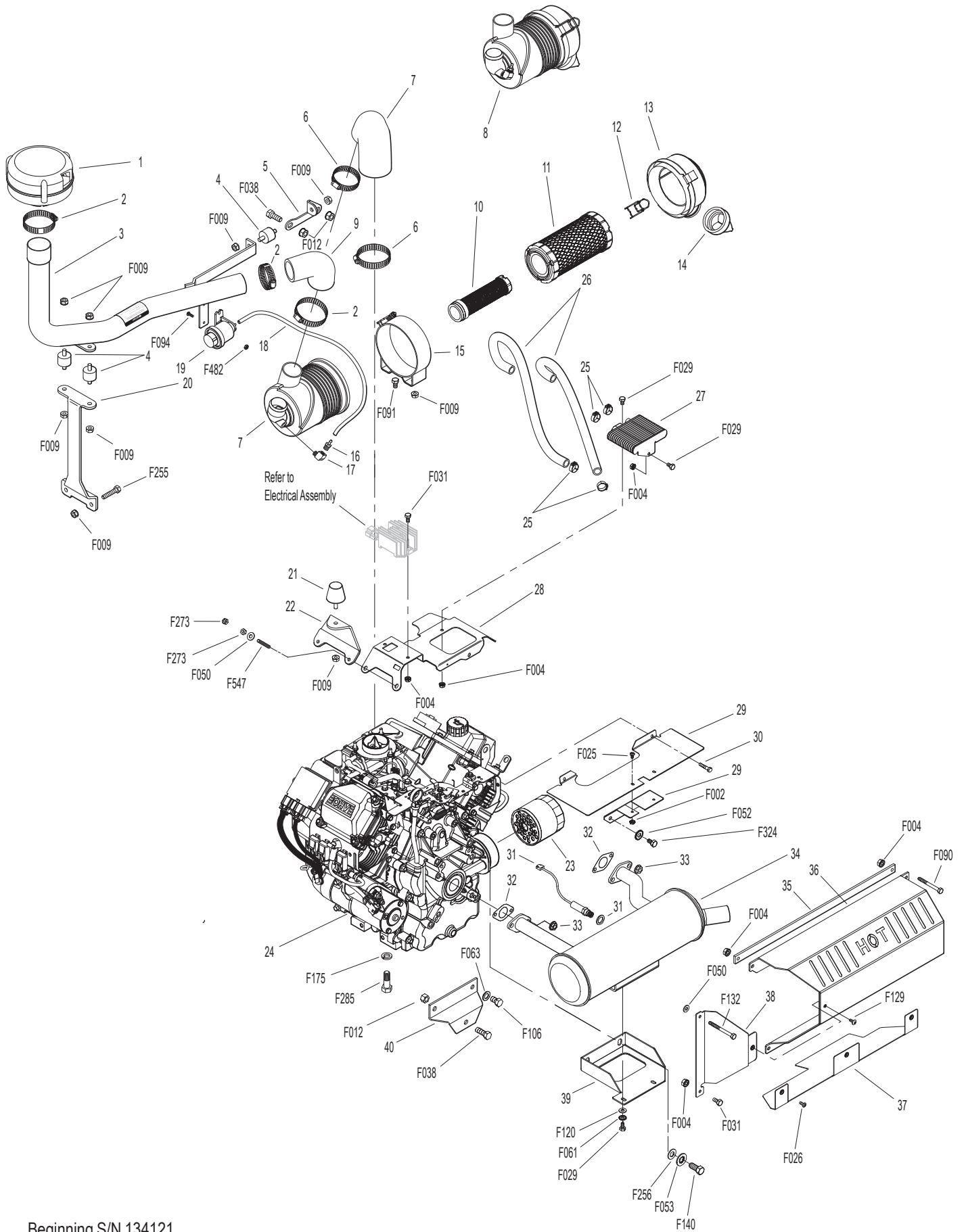


Beginning S/N 134121
 Effective Date 05-01-15
 Use only genuine Walker® replacement parts.

ENGINE GROUP

ITEM NO.	PART NO.	DESCRIPTION	NO. REQ'D	ITEM NO.	PART NO.	DESCRIPTION	NO. REQ'D
Precleaner Assembly				35	8013-2	Upright Support	1
1	7026-2	Remote Precleaner (Includes Item # 2)	1	36	8013-13	Muffler Heat Shield	1
2	7840-5	Hose Clamp (1-1/2 to 2)	3	37	8013-61	Muffler Heat Deflector W/Knurled Inserts	1
3	7028-5	Precleaner Tube (1-3/4)	1	38	8013-29	Muffler Heat Shield Endcap	1
4	7440	Shock Mount (1 x 3/4)	3	39	8013-18	Muffler Brace	1
5	7028-20	Rear Precleaner Mount	1	40	8021	Engine Brace	1
6	6029	Hose Clamp (1-3/4 to 2-1/4)	2	Fasteners			
7	8026-17	Air Intake Hose	1	F002	10-24 Keps Nut		2
8	6090-11	Air Cleaner Assembly (Includes Items # 10-14, 16 & 17)	*	F004	1/4-20 Keps Nut		7
9	7032	Elbow, Precleaner	1	F009	5/16-18 Whiz Locknut		11
10	5090-3	Safety Filter Insert	1	F012	3/8-16 Keps Nut		4
11	5090-1	Air Cleaner Cartridge	1	F025	10-24 x 3/8 PPHMS		2
12	5088-5	Air Cleaner Draw Latch	2	F026	10-24 x 1/2 PPHMS		3
13	5088-11	Air Cleaner Cap (Includes Item # 12)	1	F029	1/4-20 x 1/2 Hex Bolt		4
14	5090-2	Vacuator Valve	1	F031	1/4-20 x 5/8 Hex Bolt		3
15	5088-3	Air Cleaner Band	1	F038	3/8-16 x 1 Hex Bolt		3
16	5091-0	1/8 Pipe Thread Male W/Barb	1	F050	1/4 SAE Washer		3
17	5091-9	Street Elbow 90° (1/8 x 1/8)	1	F052	5/16 External Star Lock Washer		2
18	M258	Vacuum Hose (7")	1**	F053	7/16 Int. Star Lock Washer		2
19	5091-6	Air Flow Indicator W/Bracket	1	F061	1/4 Internal Star Lock Washer		2
20	7031-3	Tube Support Arm	1	F063	3/8 Internal Star Lock Washer		2
Engine Assembly				F090	1/4-20 x 2-1/2 Hex Bolt		2
21	5845	Rubber Bumper (1.50 x 1.25)	1	F091	5/16-18 x 5/8 Hex Bolt		2
22	8010-2	Engine Bumper Mount	1	F094	8-32 x 1/2 PTHMS		2
23	NS	Oil Filter (Kohler 1205001)	1	F106	3/8-16 x 5/8 Hex Bolt		2
24	NS	25-hp EFI Engine	1	F120	AN960416 Washer		2
Remote Oil Cooler Assembly				F129	10-24 x 1/2 PTHMS		1
25	NS	Clamp (Kohler 25 237 02-S)	4	F132	1/4-20 x 2-3/4 Hex Bolt		1
26	NS	Oil Cooler Hose (Kohler 24326127)	2	F140	7/16-14 x 1 Hex Bolt		2
27	NS	Oil Cooler (Kohler 24 594 12-S)	1	F175	1/2 Split Lock Washer		4
28	8016-8	Oil Cooler / Regulator Mount	1	F255	5/16-18 x 1-1/2 Hex Bolt		2
Exhaust Assembly				F256	7/16 SAE Washer		2
29	8530-9	Grass Shield, Muffler (EFI) (Includes Items # F002 & F025)	1	F273	M6 x 1.0 Nut		4
30	NS	Screw (Kohler M645016-S)	2	F285	1/2-13 x 1-1/2 Hex Bolt		4
31	NS	Sensor, Oxygen (Kohler)	1	F324	M8 x 1.25 x 12 Hex Bolt		2
32	NS	Gasket (Kohler)	2	F482	8-32 Nylock Nut		2
33	NS	Nut (Kohler M-0841080)	4	F547	M6 x 1.0 x 45 Stud		2
34	8013-11	Muffler (EFI)	1	* Service Part Only			
				** Required hose specifications: M258 - 7/64" ID automotive vacuum hose			
				NOTE: Refer to Kohler Engine Decal (NS) for Engine Identification Numbers.			

ENGINE GROUP



Beginning S/N 134121
 Effective Date 05-01-15
 Use only genuine **Walker**® replacement parts.

ENGINE GROUP (FUEL COMPONENTS)

ITEM NO.	PART NO.	DESCRIPTION	NO. REQ'D	ITEM NO.	PART NO.	DESCRIPTION	NO. REQ'D
Fuel Tank Assembly				Fasteners			
1	8055-1	Fuel Tank, 4.7 Gallon, Gas (Black) (Includes Items # 3-7, 26 & 28)	1	F002		10-24 Keps Nut	3
2	5082-4	2-1/4 Ratchet Fuel Cap	*	F004		1/4-20 Keps Nut	3
3	8055-2	Fuel Tank Gauge	1	F009		5/16-18 Whiz Locknut	2
4	8043-8	Roll-Over Valve	1	F025		10-24 x 3/8 PPHMS	2
5	5977-7	Roll Over Grommet (.900 x 1-1/2)	1	F029		1/4-20 x 1/2 Hex Bolt	2
6	5083-8	Tank Tube Elbow (13")	1	F034		5/16-18 x 3/4 Hex Bolt	2
7	5083-1	Bushing, Rubber	1	F050		1/4 SAE Washer	3
8	5879-3	Hose Clamp (1/2)	6	F061		1/4 Internal Star Lock Washer	2
9	5975-3	Cable Tie (50# x 7")	2	F079		A/A66D Aluminum Pop Rivet	2
10	M113	Fuel Line (3/16 x 28")	1**	F128		10-24 x 3/8 PTHMS	1
11	7833	Cable Clamp (7/8 x 1/4)	2	F129		10-24 x 1/2 PTHMS	1
12	8018-4	Fuel Module Cover	1	F398		1/4-20 x 2 Hex Bolt	3
13	8018-1	Fuel Module Bracket	1				
14	8018-2	Fuel Bracket Spacer	3				
15	M113	Fuel Line (3/16 x 12")	1**				
16	5879-4	Hose Clamp (7/16)	1				
17	8046-16	Quick Connector 5/16 x 5/16 - 45°	1				
18	8046-14	Quick Connector, Male (5/16)	1				
19	M246	Fuel Line (1/4 x 20.5")	1**				
20	5879-5	Stepless Ear Clamp (5/8)	2				
21	M247	Fuel Line (5/16 x 6")	1**				
22	NS	Fuel Line, Engine (Kohler)	1				
23	5020-3	Fuel Filter, EFI (9-12 Micron)	*				
24	M246	Fuel Line (1/4 x 23")	1**				
25	8016-6	ECU Mount	1				
26	5086-7	Hose (1/4 x 6")	1				
27	8023	Fuel Tank Support	1				
28	5020-2	Fuel Filter, In Tank	1				

* Service Part Only

**** Required hose specifications:**

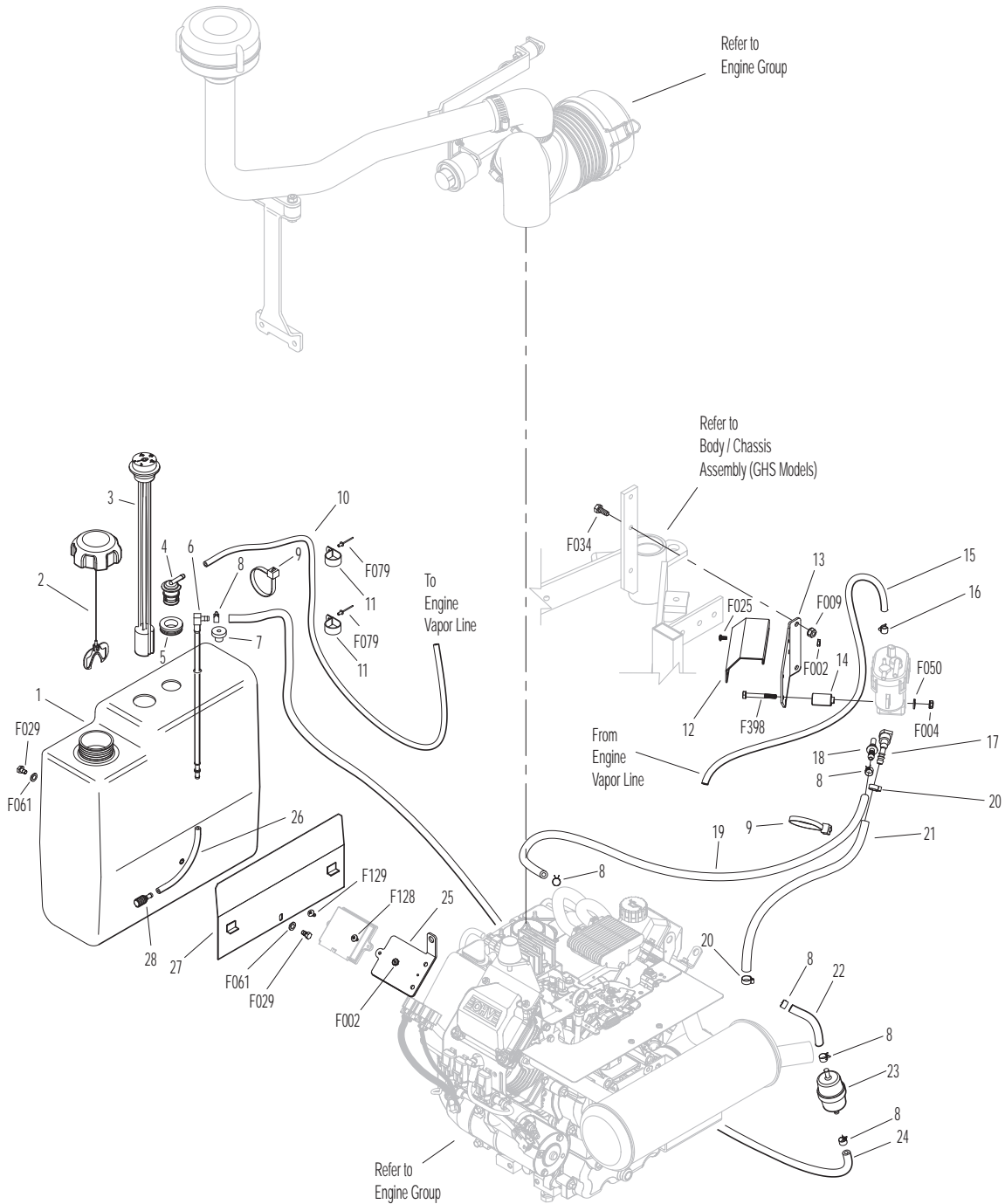
M113 - 3/16" ID fuel/oil/vapor hose (Gates 4219-0093 or equivalent)

M246 - 1/4" ID low permeation (<15g/m²/day) fuel hose (Parker 38904 or equivalent)

M247 - 5/16" ID low permeation (<15g/m²/day) fuel hose (Parker 38905 or equivalent)

NOTE: Refer to Kohler Engine Decal (NS) for Engine Identification Numbers.

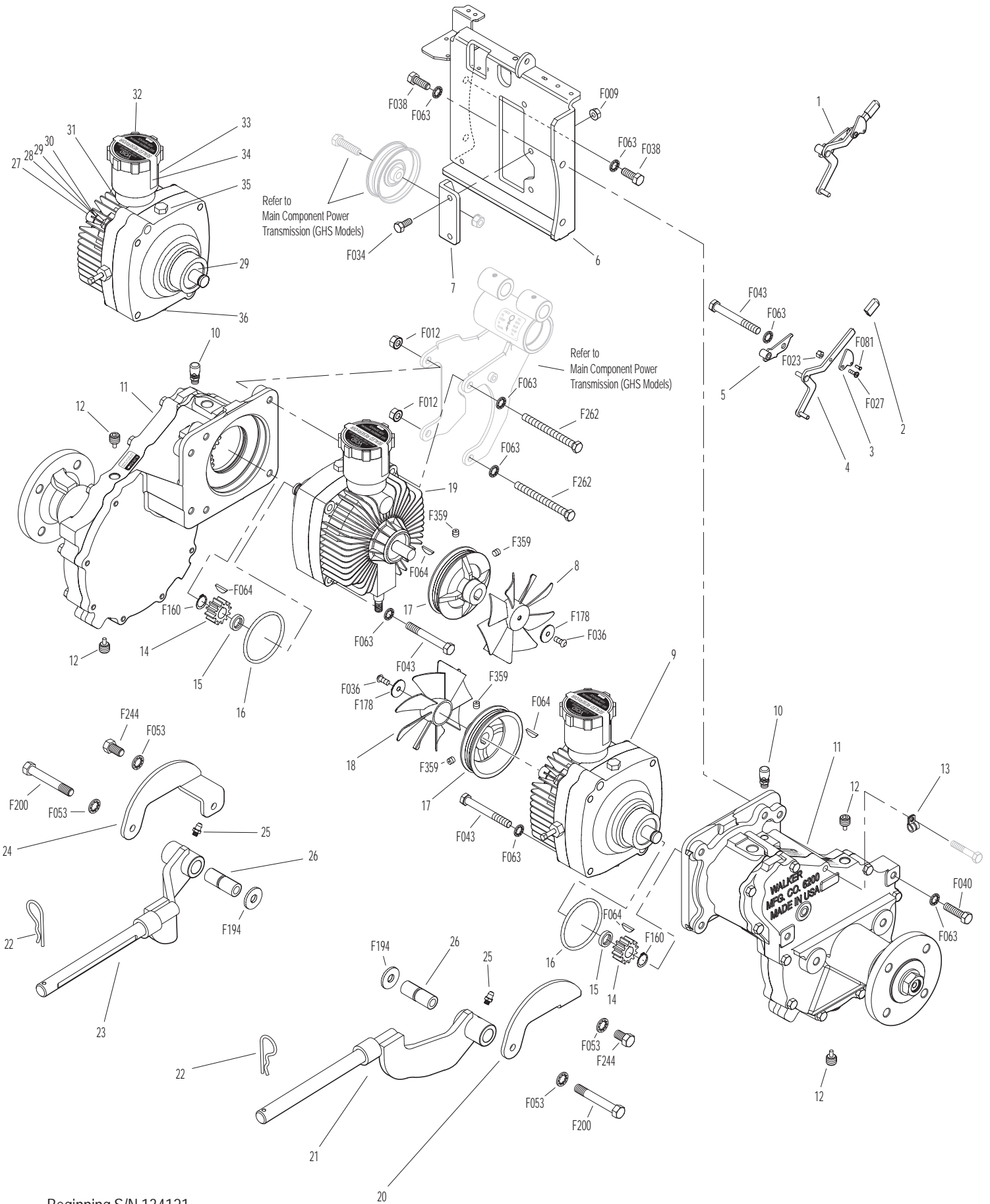
ENGINE GROUP (FUEL COMPONENTS)



HYDROSTATIC GROUND DRIVE ASSEMBLIES

ITEM NO.	PART NO.	DESCRIPTION	NO. REQ'D	ITEM NO.	PART NO.	DESCRIPTION	NO. REQ'D
Transmission Lockout Assembly				Transmission Repair Parts			
1	5028-3	Transmission Lockout Assembly (Includes Items # 2-5, F023, F027 & F081)	*	27	5025-13	Hydro Input Shaft	*
2	5847	Plastic Tip	2	28	5025-8	Bearing, Input Shaft	*
3	5057	Lockout Cam (Includes Item # F081)	2	29	5025-7	Snap Ring	*
4	5028-5	Lockout Lever	2	30	5025-2	Seal, Input Shaft	*
5	5027-5	Lockout Mount	1**	31	5022	Reservoir to Casting Gasket	*
Ground Drive Assemblies				32	5024	Reservoir Cap and Gasket	*
6	6209-5	Bridge Assembly	1	33	5023	Transmission Reservoir Kit	*
7	6209-10	Idler Pulley Mount	1	34	5023-1	Rubber Bladder	*
8	6243-2	Hydro Fan, CCW	1	35	5025-6	O-Ring & Plug Assembly	*
9	5026	Hydrostatic Drive, CW (700-051)	1	36	5025-3	Seal, Control Shaft	*
10	6206-1	Air Vent Valve	*	Fasteners			
11	6200-9	Gear Axle Drive Assembly (Includes Items # 10 & 12)	2	F009	5/16-18 Whiz Locknut		2
12	6207-12	Pipe Plug (1/4 NPTF)	4	F012	3/8-16 Keps Nut		2
13	5126	Cable Retainer (Uses existing bolt on Gear Axle Drive Assembly)	1	F023	10-24 ESNA Nut		2
14	6233-1	Pinion Gear	2	F027	10-24 x 5/8 PPHMS		2
15	6234	Spacer, Pinion Gear	2	F036	1/4-20 x 1/2 SBH Screw		2
16	6201	O-Ring Seal	2	F034	5/16-18 x 3/4 Hex Bolt		2
17	7244	Hydro Pulley (3-7/8/MV) (Includes Items # F064 & F359)	2	F038	3/8-16 x 1 Hex Bolt		4
18	6243-1	Hydro Fan, CW	1	F040	3/8-16 x 1-1/2 Hex Bolt		4
19	5025	Hydrostatic Drive, CCW (700-052)	1	F043	3/8-16 x 3 Hex Bolt		6
Deck Support Arm Assemblies				F053	7/16 Internal Star Lock Washer		4
20	6430-10	Outboard Mount, LH	1	F063	3/8 Internal Star Lock Washer		16
21	6431-1	Deck Support Arm, LH (Includes Item # 25)	1	F064	1/8 x 1/2 Woodruff Key (#3)		4
22	5775-2	Hitch Pin (# 6)	2	F081	A/A45D Aluminum Pop Rivet		2
23	6431-2	Deck Support Arm, RH (Includes Item # 25)	1	F160	External Snap Ring (.669 Shaft)		2
24	6430-9	Outboard Mount, RH	1	F178	1/4 x 1 Fender Washer		2
25	5830	Grease Fitting	2	F194	7/16 x 1-1/4 x 1/8 Washer		2
26	6840-1	Support Arm Bushing (2-1/16)	2	F200	7/16-20 x 3 Grade 8 Bolt		2
				F244	7/16-20 x 3/4 Hex Bolt		2
				F262	3/8-16 x 4 Hex Bolt All Thread		2
				F359	5/16-18 x 5/16 Set Screw (Unbrako Knurl Point)		4
				* Service Part Only			
				** Part not used on Jackshaft side of tractor.			

HYDROSTATIC GROUND DRIVE ASSEMBLIES



Beginning S/N 134121
 Effective Date 05-01-15
 Use only genuine Walker® replacement parts.

STEERING CONTROL ASSEMBLIES

ITEM NO.	PART NO.	DESCRIPTION	NO. REQ'D	ITEM NO.	PART NO.	DESCRIPTION	NO. REQ'D
Transmission Spring Assemblies				Steering Lever Assemblies			
1	6201-2	Shock Mount Gear Drive, RH	1	31	5850-2	Handle Grip, Foam (5-1/2)	2
2	5146	10mm Ball Stud	4	32	5223	Extension Spring (1/4 x 5-1/2)	2
3	5199-3	Steering Lever Dampener Assembly	2	33	5450	D-Clip	2
4	6201-1	Shock Mount Gear Drive, LH	1	34	5451-10	Steering Lever Assembly, LH / Adjustable (Includes Items # 9, 10, 20, F029 & F489)	1
5	5214-2	Ball Joint (5/16-24) Nylon Lined	2		5451-7	Steering Lever Arm, LH / Adjustable	*
6	6212-1	Transmission Control Arm, LH	1	35	5391-3	Steering Lever Support	1
7	5213-3	Control Rod (6")	1	36	5217	Pivot Pin, Steering Lever	1
8	5665-1	Compression Spring (2-1/2)	2	37	5453-10	Steering Lever Handle, Adjustable (Includes Items # 31 & F345)	2
9	5463-2	Steering Lever Actuator	2	38	5450-10	Steering Lever Assembly, RH / Adjustable (Includes Items # 9, 10, 20, F029 & F489)	1
10	7201-2	Fiberglide Bearing 1/2"	2		5450-7	Steering Lever Arm, RH / Adjustable	*
11	5213-4	Control Rod (14-3/4")	1				
12	5212	Transmission Control Arm, RH	1				
Forward Speed Control Assemblies				Fasteners			
13	5862	FSC Knob	1		F004	1/4-20 Keps Nut	4
14	7170-1	FSC Lever Assembly (Includes Item # 20)	1		F007	5/16-18 Jam Nut	1
15	5975-3	Cable Tie (50# x 7")	1		F008	5/16-24 Keps Nut	2
16	5214-4	Ball Joint (5/16-24) W/O Stud	2		F009	5/16-18 Whiz Locknut	7
17	5219	Extension Spring (3/4 x 6-3/4)	1		F010	5/16-24 ESNA Nut	2
18	5172	Bearing, Delrin (.255 x .379 x .250)	2		F012	3/8-16 Keps Nut	2
19	5141-1	FSC Actuator Block	1		F024	5/16-24 Jam Nut	4
20	5830	Grease Fitting	6		F029	1/4-20 x 1/2 Hex Bolt	4
21	5140-9	FSC Brace	1		F032	1/4-20 x 3/4 Hex Bolt	2
22	5141	FSC Friction Washer (1-1/2 x 3/8 x 1/16)	2		F034	5/16-18 x 3/4 Hex Bolt	2
23	5142-8	FSC Key	1		F038	3/8-16 x 1 Hex Bolt	2
	5140-12	FSC Control Assembly (Includes Items # 20, 22-24, 27, F182, F192 & F193)	*		F050	1/4 SAE Washer	1
24	5140-30	FSC Friction Body (Includes Item # 20)	1		F051	3/8 SAE Washer	2
25	5141-2	FSC Actuator Rod	1		F064	1/8 x 1/2 Woodruff Key (#3)	2
26	5281-5	Clevis Pin (1/4 x 0.80)	1		F068	1/8 x 1 Cotter Pin	1
27	5142-9	FSC Actuator Cam	1		F069	3/32 x 1/2 Cotter Pin	1
28	5141-3	Spacer	1		F093	5/16-18 x 1 Hex Bolt	1
29	5141-4	FSC Rod	1		F146	1/4-20 Jam Nut	1
30	5470-1	Speed Control Stop	1		F182	1/4 x 5/8 x 1/8 Washer	1
					F183	.312 x .700 x .074 Washer	3
					F186	5/64 x 1/2 Cotter Pin	1
					F188	1/4-20 Self-Locking Nut	4
					F192	3/8-24 Self-Locking Nut	1
					F193	3/8 Belleville Spring Washer	3
					F198	.250 x .625 x .040 Washer, SS	2
					F226	5/16-18 x 7/8 Hex Bolt	1
					F316	5/16-18 x 1-3/4 Hex Bolt	1
					F345	1/4-20 x .770 Knurled Bolt	4
					F350	1/4-20 LP Nylock	1
					F353	3/8-16 ESNA LP Nut	2
					F401	.504 x .751 x .030 Washer	1
					F489	Washer 1/4 x 7/8 x .090	2

* Service Part Only

Beginning S/N 134121

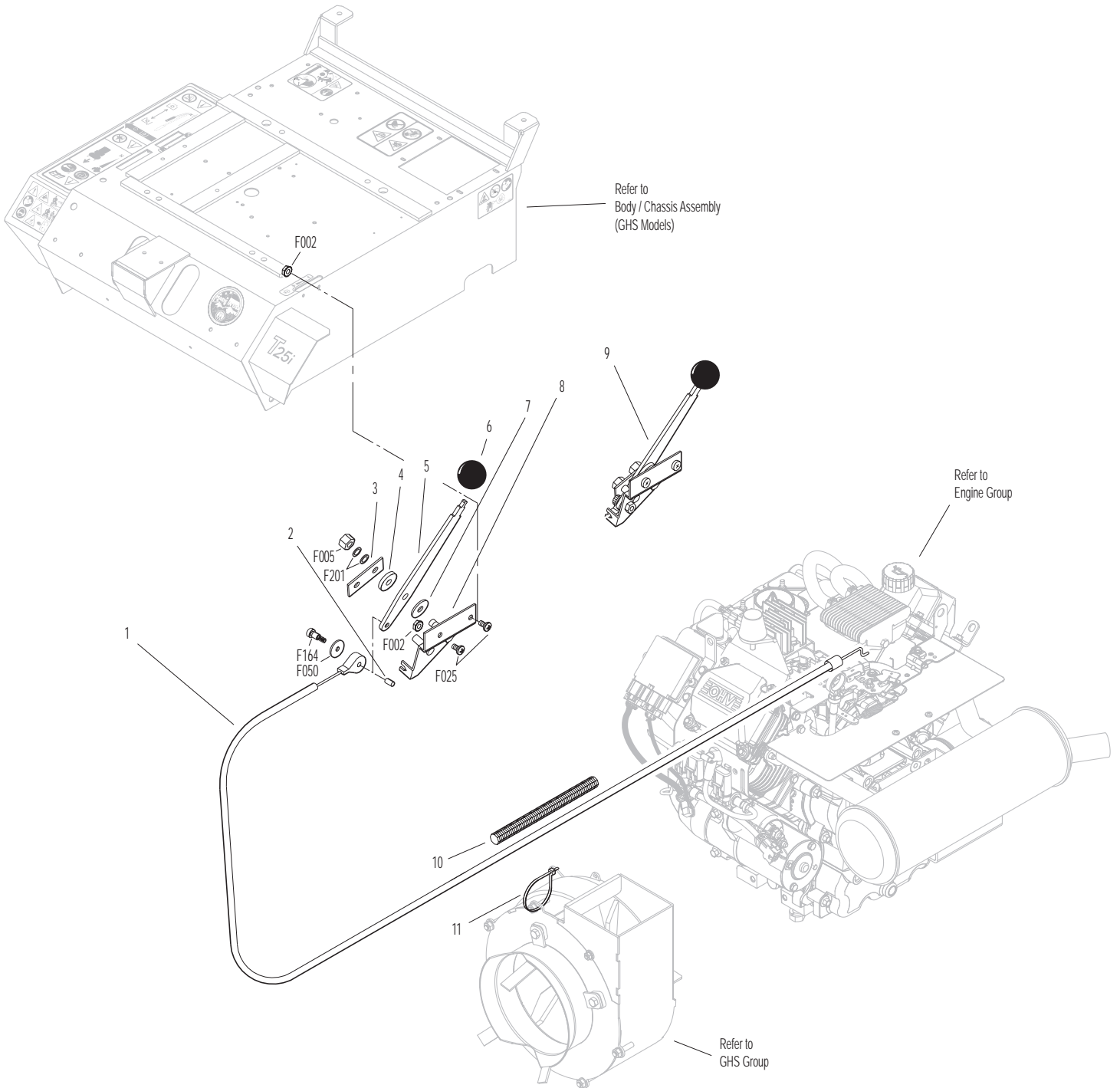
Effective Date 05-01-15

Use only genuine Walker® replacement parts.

THROTTLE CONTROL ASSEMBLY

ITEM NO.	PART NO.	DESCRIPTION	NO. REQ'D	ITEM NO.	PART NO.	DESCRIPTION	NO. REQ'D
Throttle Control Assembly				Fasteners			
1	8121-1	Throttle Cable	1		F002	10-24 Keps Nut	2
2	5172	Bearing, Delrin (.255 x .379 x .250)	1		F005	1/4-20 ESNA Nut	1
3	5108-7	Control Lock Tab	1		F025	10-24 x 3/8 PPHMS	2
4	5108-10	Friction Washer (.125)	1		F050	1/4 SAE Washer	1
5	5108-1	Control Lever, Throttle & Choke	1		F164	10-24 x 1/4 x 3/8 SHL Bolt	1
6	5108-5	Throttle Control Knob, Red	1		F201	1/4 Belleville Spring Washer	2
7	5108-11	Friction Washer (.062)	1				
8	5108-8	Control Bracket	1	*		Service Part Only	
9	7108	Control Assembly (Includes Items # 3-5, 7, 8 & F201)	1				
	8121	Throttle Control and Cable Assembly (Includes Item # 6)	*				
10	8123	Insulation Sleeve (3/8 x 6)	1				
11	5975-1	Cable Tie (18# x 3-3/4")	1				

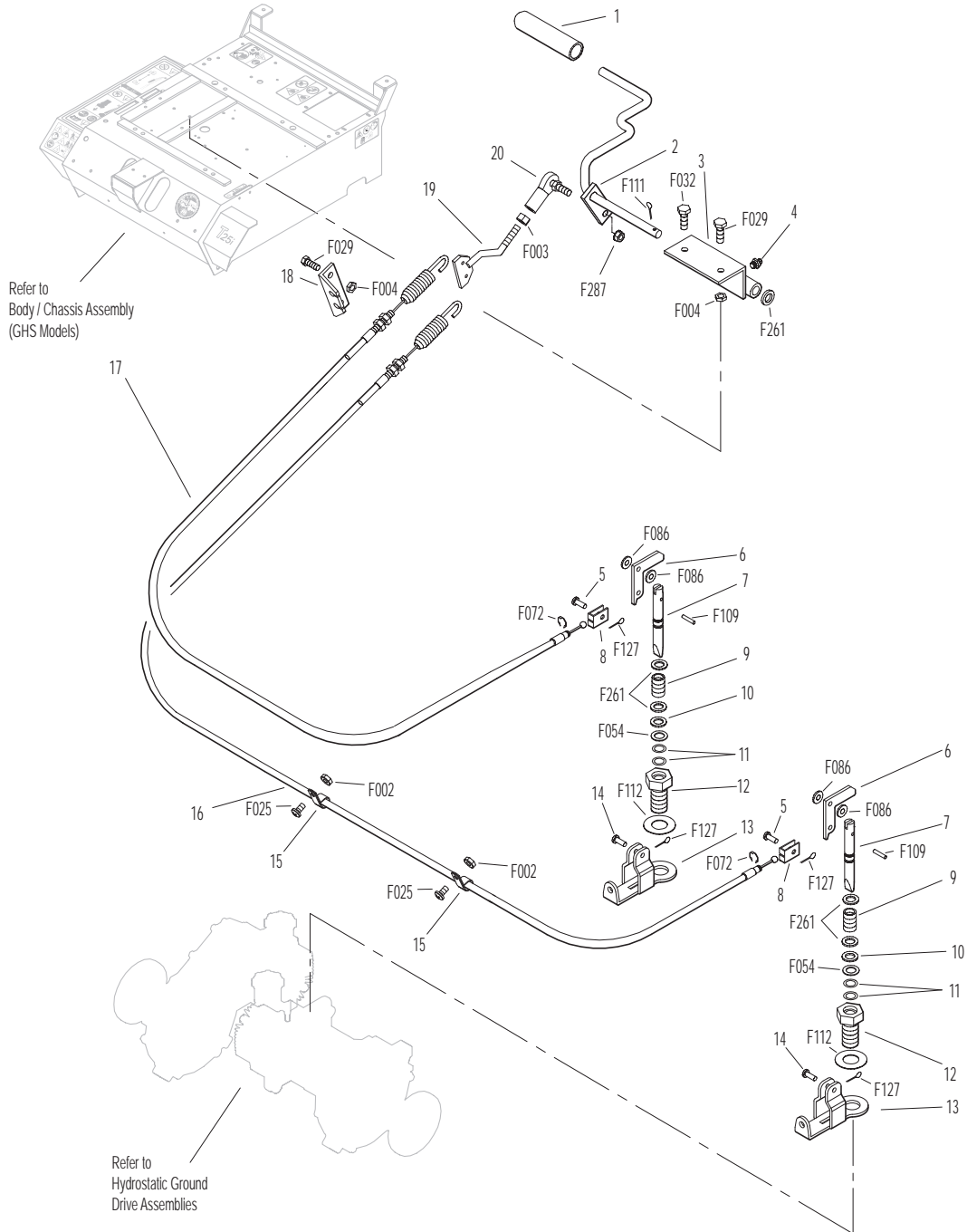
THROTTLE CONTROL ASSEMBLY



PARKING BRAKE ASSEMBLY

ITEM NO.	PART NO.	DESCRIPTION	NO. REQ'D	ITEM NO.	PART NO.	DESCRIPTION	NO. REQ'D
Parking Brake Assembly				Fasteners			
1	7406-1	Handle Grip, Red	1	F002		10-24 Keps Nut	2
2	7406-8	Parking Brake Lever (4-1/4)	1	F003		1/4-28 Hex Nut	1
3	7406-2	Lever Mount	1	F004		1/4-20 Keps Nut	4
4	5830	Grease Fitting	1	F025		10-24 x 3/8 PPHMS	2
5	7407	Clevis Pin (3/16 x 1/2)	2	F029		1/4-20 x 1/2 Hex Bolt	3
6	7404-6	Brake Actuator Arm	2	F032		1/4-20 x 3/4 Hex Bolt	1
7	7405	Pin, Transmission Lock	2	F054		AN960616 Washer	2
8	7402	Clevis	2	F072		1/4 "E" Retainer Ring	2
9	7408	Compression Spring (1/2 x 3/4)	2	F086		#10 SAE Washer	4
10	7415	Rubber Dust Shield (5/8 x 3/8 x 1/32)	2	F109		1/8 x 5/8 Roll Pin	2
11	5567-3	O-Ring Seal (1/4 x 3/8)	4	F111		1/8 x 3/4 Cotter Pin	1
12	7403	Plunger Bushing, Gear Axle	2	F112		5/8 x 1-1/4 x .03 Washer	2
13	7404-7	Brake Actuator Mount	2	F127		1/16 x 1/2 Cotter Pin	4
14	7412	Clevis Pin (3/16 x 5/8)	2	F261		AN960616L Washer	5
15	5833	Cable Clamp (1/4)	2	F287		1/4-28 Keps Nut	1
16	7410	Brake Control Cable, LH (25.5")	1				
17	7409	Brake Control Cable, RH (20.5")	1				
18	7401-3	Cable Mount Bracket	1				
19	7401-1	Cable Pull Rod	1				
20	5552	Ball Joint (1/4-28)	1				

PARKING BRAKE ASSEMBLY

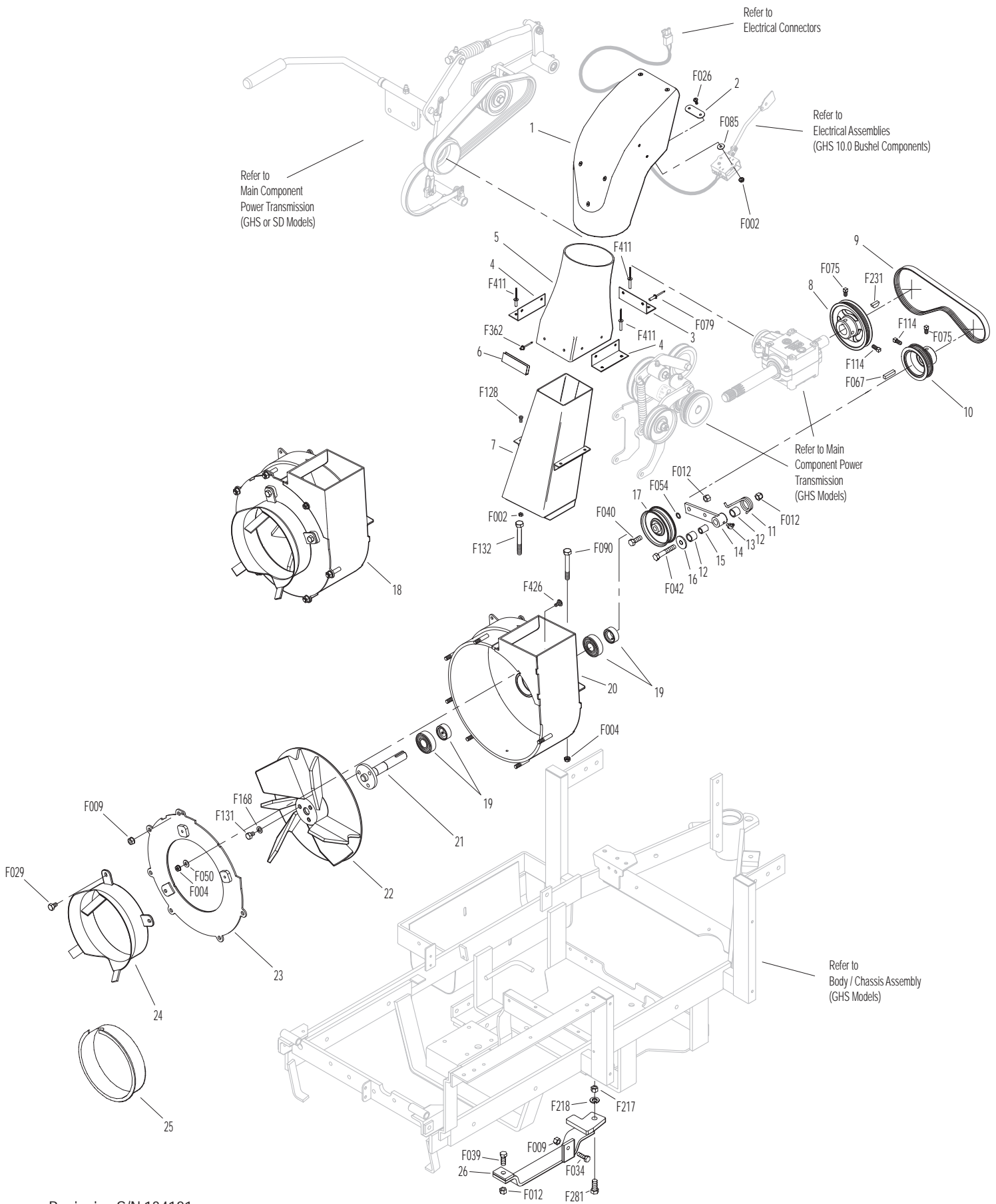


Beginning S/N 134121
 Effective Date 05-01-15
 Use only genuine Walker® replacement parts.

GHS GROUP

ITEM NO.	PART NO.	DESCRIPTION	NO. REQ'D	ITEM NO.	PART NO.	DESCRIPTION	NO. REQ'D
Delivery Chute Assembly				Fasteners			
1	5515-4	Elbow Delivery Spout	1	F002		10-24 Keps Nut	6
2	5592-13	Backing Plate, Grass-Pak® Switch	1	F004		1/4-20 Keps Nut	3
3	5578	Rear Clip, Chute Mount	1	F009		5/16-18 Whiz Locknut	7
4	5577	Side Clip, Chute Mount	2	F012		3/8-16 Keps Nut	3
5	8511-1	Delivery Chute W/Clips (Includes Items # 3, 4, 6, F362 & F411)	1	F026		10-24 x 1/2 PPHMS	2
6	5578-10	Front Clip, Chute Mount	1	F029		1/4-20 x 1/2 Hex Bolt	3
7	7530-4	Body Chute (10.5 Blower)	1	F034		5/16-18 x 3/4 Hex Bolt	1
Blower Belt Tightener Assembly				F039		3/8-16 x 1-1/4 Hex Bolt	1
8	7238-6	Blower Drive Pulley (Includes Items # F075, F114 & F231)	1	F040		3/8-16 x 1-1/2 Hex Bolt	1
9	7234-2	Blower Belt (Micro-V)	1	F042		3/8-16 x 2-1/4 Hex Bolt	1
10	7239-1	Blower Pulley (Mirco-V) (Includes Items # F067, F075 & F114)	1	F050		1/4 SAE Washer	1
11	7364-2	Torsion Spring	1	F054		AN960616 Washer	1
12	7201-3	Fiberglide Bearing	2	F067		3/16 x 3/16 x 1 Key	1
13	5830-3	Grease Fitting (45 Deg.)	1	F075		5/16-18 x 1/2 SQH Set Screw	2
14	7364-1	Blower Belt Tightener Arm	1	F079		A/A66D Aluminum Pop Rivet	6
15	7201-4	Inner Race (1-1/2)	1	F085		3/16 Rivet Backup Washer	2
16	5841	Retainer Washer (3/8 x 1-1/4)	1	F090		1/4-20 x 2-1/2 Hex Bolt	1
17	5245	Idler Pulley (3")	1	F114		5/16-18 x 5/8 SQH Set Screw	2
Blower Assembly				F128		10-24 x 3/8 PTHMS	4
18	7544	Blower Assembly (10.5") (Includes Items # 19-24, F004, F009, F029, F050, F131, F168 & F426)	1	F131		5/16-18 x 1/2 Hex Bolt	3
19	5268	Bearing W/Collar (3/4)	2	F132		1/4-20 x 2-3/4 Hex Bolt	1
20	7544-3	Blower Housing (10.5)	1	F168		5/16 Split Lock Washer	3
21	7545-2	Blower Output Shaft (10.5)	1	F217		7/16-14 Hex Nut	1
22	7545	Blower Wheel (10.5")	1	F218		7/16 Split Lock Washer	1
23	7543-1	Blower Faceplate (10.5)	1	F231		1/4 x 3/4 Woodruff Key (# 806)	1
24	7526	Intake Tube (10.5 Blower)	1	F281		7/16-14 x 1-3/4 Hex Bolt	1
25	5595-2	Intake Cover / GHS	1	F362		A/A62D Alum. Pop Rivet (3/16D x 13/32L)	2
26	7528-4	Skid Bar (10.5" Blower)	1	F411		3/16 Bulbex Rivet	6
				F426		1/4-20 x 1/2 Carriage Bolt	1

GHS GROUP

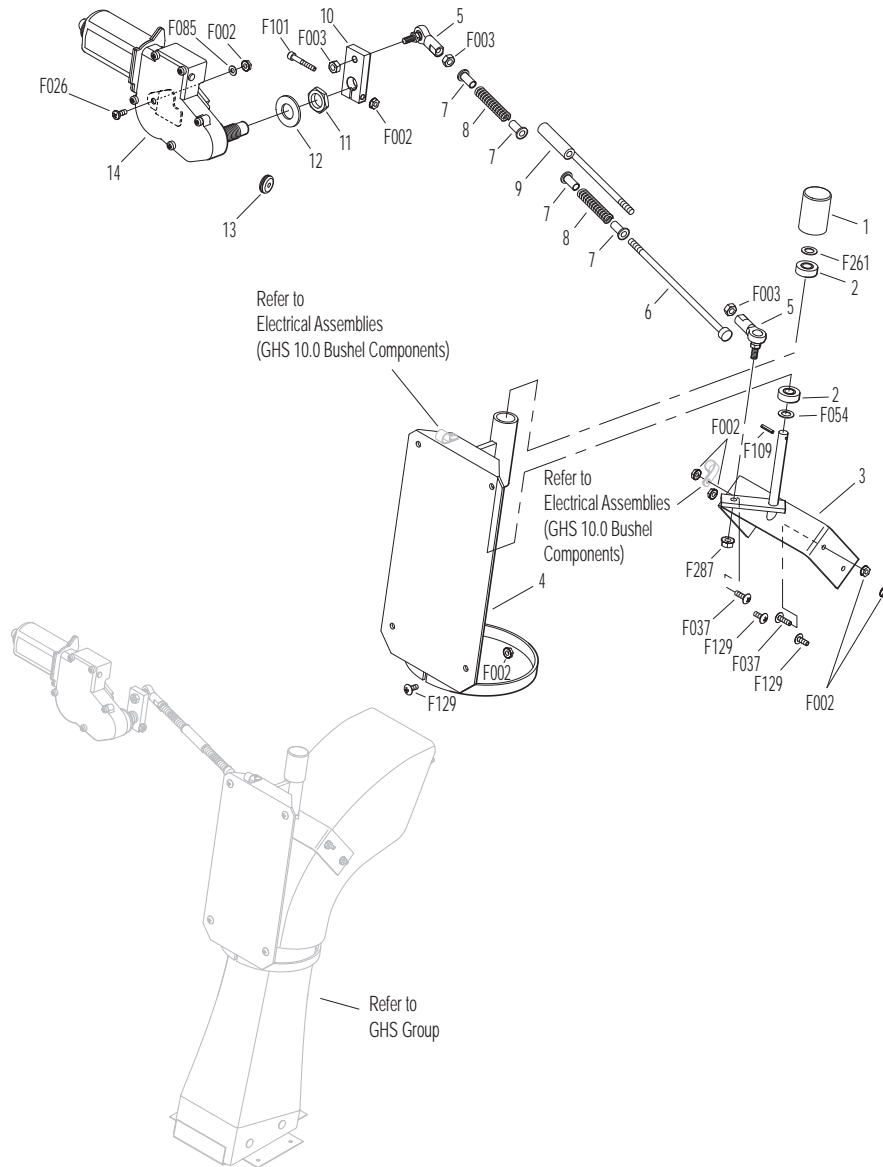


Beginning S/N 134121
Effective Date 05-01-15
Use only genuine Walker® replacement parts.

GHS POWERFIL® ASSEMBLY

ITEM NO.	PART NO.	DESCRIPTION	NO. REQ'D	ITEM NO.	PART NO.	DESCRIPTION	NO. REQ'D
10.0 GHS Powerfil® Assembly				Fasteners			
1	5551-3	Bearing Cap, Powerfil®	1		F002	10-24 Keps Nut	10
2	5551-1	Pivot Bearing (#S3PP)	2		F003	1/4-28 Hex Nut	3
3	5518-2	Pivot, Delivery Spout	1		F026	10-24 x 1/2 PPHMS	1
4	5517-2	Pivot Mount	1		F037	10-24 x 5/8 PTH Screw	2
5	5552	Ball Joint (1/4-28)	2		F054	AN960616 Washer	1
6	5558-1	Powerfil® Push Rod	1		F085	3/16 Rivet Backup Washer	1
7	5553-3	Bushing, Powerfil® Actuator	4		F101	10-24 x 1-1/4 SHC Screw	1
8	5553-1	Compression Spring (1/2 x 2)	2		F109	1/8 x 5/8 Roll Pin	1
9	5558-2	Powerfil® Actuator Rod	1		F129	10-24 x 1/2 PTHMS	6
	5549	Actuator Rod Assembly (Includes Items # 5-9 & F003)	*		F261	AN960616L Washer	1
10	5554	Actuator Arm	1		F287	1/4-28 Keps Nut	1
11	5519-3	Motor Mount Nut (5/8-24)	*	*		Service Part Only	
12	5519-2	Motor Mount Washer	*				
13	5976-2	Grommet (3/16 x 3/4)	1				
14	5519-5	Actuator Motor (12V) (Includes Items # 11 & 12)	1				

GHS POWERFIL® ASSEMBLY



GHS 10.0 BUSHEL CATCHER ASSEMBLY

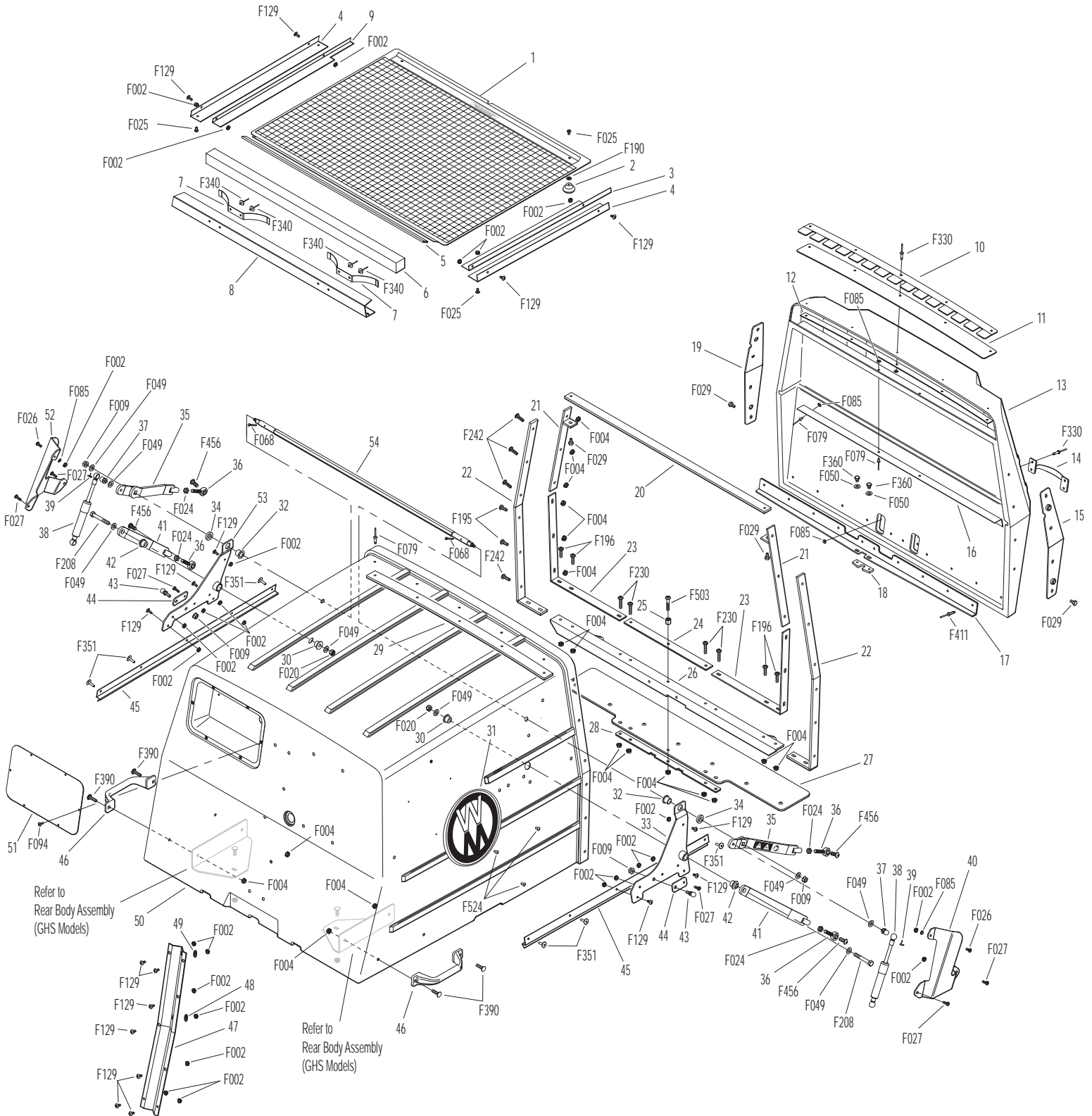
ITEM NO.	PART NO.	DESCRIPTION	NO. REQ'D	ITEM NO.	PART NO.	DESCRIPTION	NO. REQ'D
Upper Baffle Screen Assembly (Removable)				45	8608-10	Box Support, Gas Spring	2
1	7512-2	Removable Screen (3/16 Hole) (Includes Items # 2, 5, F025 & F190)	1**	46	7532-1	Handle, Catcher Lift	2
2	7506	Knob / Threaded Insert (10-24)	2	47	8117	Wire Harness Channel	1
3	8606-3	Channel Top, LH	1	48	5977	Grommet (1/2 x 7/8 x 1/16)	1
4	8606-2	Channel Bottom	2	49	5977-3	Grommet (9/16)	1
5	7856-1	Edge Molding (26")	1	50	8602-3	10.0 Catcher W/O Powerfil® , Gray (Includes Door)	*
6	7507	Screen Seal (27-1/2)	1		8602-4	10.0 Catcher W/Powerfil® , Gray (Includes Door)	*
7	7505	Mustache Spring	2		8610-5	10.0 Bushel Catcher Box, Gray	*
8	8606	C-Channel (10.0)	1	51	8607-9	Powerfil® Cover Plate	1
	8606-20	C-Channel With Spring (10.0) (Includes Items # 7, 8 & F340)	*	52	8155-2	Gas Spring Cover, RH	1
9	8606-4	Channel Top, RH	1	53	8608-8	Hinge Plate, RH	1
10.0 Exhaust Deflector Door Assembly				54	8608-9	Torsion Bar	1
10	8607-6	Upper Seal Support	1	5598-2 Optional Dump Bag (Not Shown)			
11	8607-5	Upper Door Seal	1	May be ordered as an option. Contact your Walker dealer.			
12	8607-11	Backup Plate	1	Fasteners			
13	8512-3	10.0 Catcher Box Door (Includes Items # 10-14, 16, 17, F085, F330 & F411)	1	F002	10-24 Keps Nut		29
14	5583	Handle	1	F004	1/4-20 Keps Nut		25
15	8607-1	Door Mount, LH	1	F009	5/16-18 Whiz Locknut		4
16	8607-12	Upper Door Stiffener	1	F020	5/16-18 ESNA Nut		2
17	8607-7	Lower Door Stiffener	1	F024	5/16-24 Jam Nut		4
18	8607-8	Door Guide	1	F025	10-24 x 3/8 PPHMS		4
19	8607-2	Door Mount, RH	1	F026	10-24 x 1/2 PPHMS		2
GHS 10.0 Bushel Catcher Assembly				F027	10-24 x 5/8 PPHMS		8
20	8608-5	Center Strap	1	F029	1/4-20 x 1/2 Hex Bolt		10
21	8608-3	Upper Frame Doubler	2	F049	5/16 SAE Washer		8
22	8608-1	Outside Box Strap, LH	2	F050	1/4 SAE Washer		2
23	8608-2	Lower Frame Doubler	2	F068	1/8 x 1 Cotter Pin		2
24	8608-4	Center Frame Doubler	1	F079	A/A66D Aluminum Pop Rivet		14
25	8608-11	Catcher Door Finger	1	F085	3/16 Rivet Backup Washer		13
26	8608-6	Catcher Mount	1	F094	8-32 x 1/2 PTHMS		6
27	8610-4	Catcher Dump Flap W/Plate 10.0	1	F129	10-24 x 1/2 PTHMS		17
28	8610-3	Backing Plate, Dump Flap	1	F190	#10 Internal Star Lock Washer		2
29	7584	Reinforcing Strap	1	F195	1/4-20 x 3/4 PPHMS, SS		4
30	5103-5	Pivot Bushing Inner	2	F196	1/4-20 x 1 PPHMS, SS		4
31	5801-3	Decal Plate, Round (Set of 2)	1	F208	5/16-18 x 2-1/4 Hex Bolt		2
32	7620-3	Pivot Bushing (1/2 x 9/16)	2	F230	1/4-20 x 1-1/4 PPHMS, SS		4
33	8608-7	Hinge Plate, LH	1	F242	1/4-20 x 7/8 PPHMS, SS		8
34	5103-7	Outside Torsion Bushing	2	F330	3/16D x 21/32L Rivet, SS		9
35	8607-4	Upper Arm	2	F340	Rivet, Aluminum		4
36	5214-12	Ball Joint (5/16-24)	4	F351	Aluminum Pop Rivet		6
37	5155-12	5/16 Ball Stud	2	F360	1/4-20 x 3/8 Hex Bolt		2
38	5155-4	Gas Spring	2	F390	1/4-20 x 7/8 Carriage Bolt		4
39	5147	Spring Clip	4	F411	3/16 Bulbex Rivet		10
40	8155-1	Gas Spring Cover, LH	1	F456	5/16-18 x 3/4 SBH Cap Screw, SS		4
41	8607-3	Lower Arm	2	F503	1/4-20 x 1-1/2 PPHMS, SS		1
42	5103-6	Pivot Bushing Outer	2	F524	3/16 x 3/8 Aluminum Rivet, Black		6
43	5155-13	3/4 Ball Stud	2	* Service Part Only			
44	5523-6	Gas Spring Plate	2	** This screen can be replaced by P/N 7512-3 Removable Screen (3/4" holes) for improved air flow performance in wet conditions.			

Beginning S/N 134121

Effective Date 05-01-15

Use only genuine Walker® replacement parts.

GHS 10.0 BUSHEL CATCHER ASSEMBLY

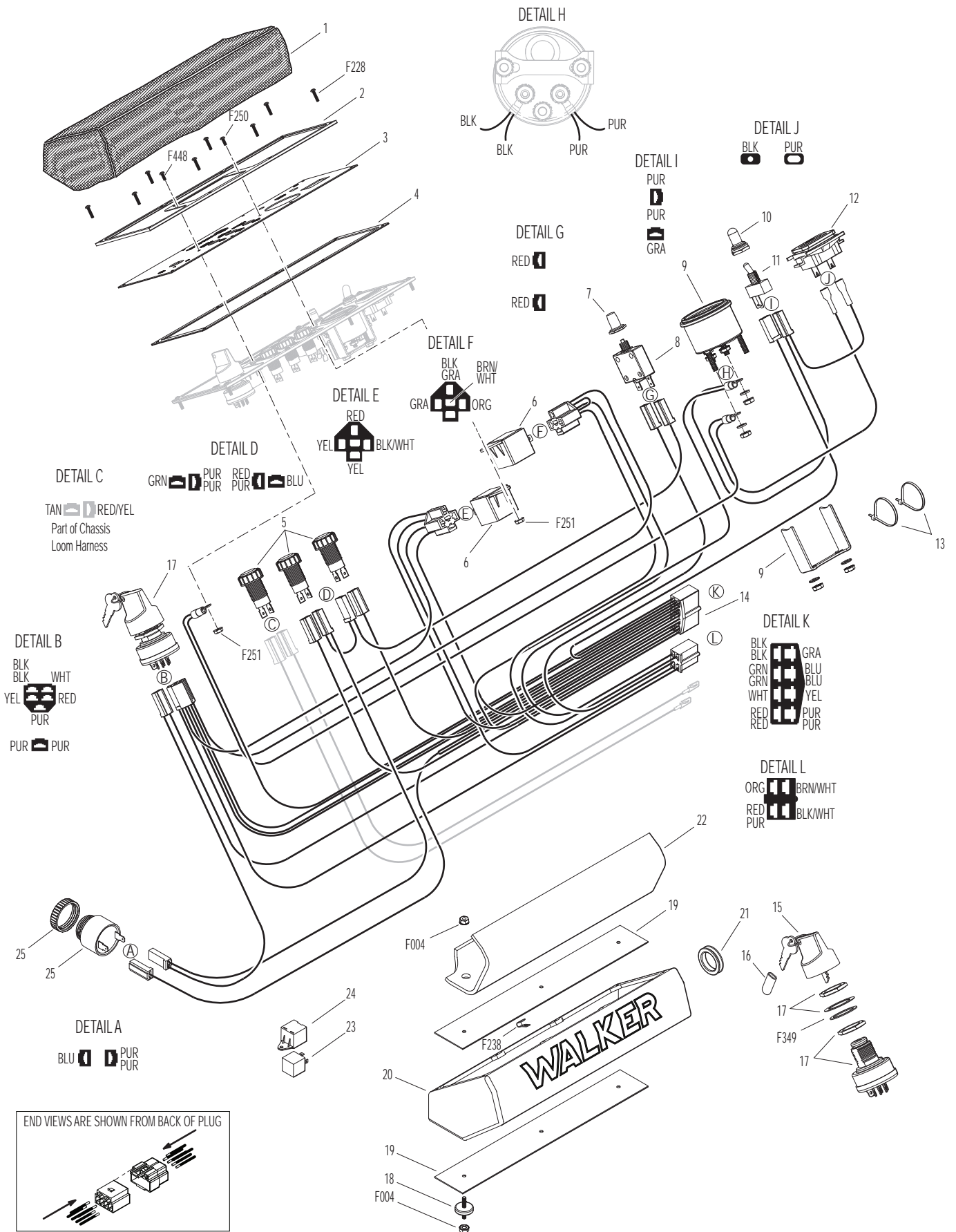


Beginning S/N 134121
 Effective Date 05-01-15
 Use only genuine Walker® replacement parts.

INSTRUMENT PANEL ASSEMBLY

ITEM NO.	PART NO.	DESCRIPTION	NO. REQ'D	ITEM NO.	PART NO.	DESCRIPTION	NO. REQ'D
Instrument Panel Assembly				18	7307-1	Shock Mount (1.0 x .25)	3
1	7307-2	Instrument Panel Cover (Optional)	**	19	7391	Panel Box Mount Plate	2
	8306-5	Instrument Panel Assembly (Includes Items # 2-12, 14, 17, 25, F228, F250, F251, F349 & F448)	1	20	8385	Panel Box W/Graphic	1
2	7307-7	Panel Frame	1	21	7977-1	Grommet (1/8 x 1-1/16)	1
3	8820-4	Panel Faceplate W/Decal	1	22	7307-16	Lining, Panel Box (1/8)	1
4	7386	Panel Gasket	1	23	6941-6	Relay Switch (30/40 Amp)	*
5	8996-9	Red Indicator Light Assembly	3	24	6941-7	Relay Mount	*
6	6942	Relay Switch (30/40 Amp) NC (Includes Items # 23 & 24)	2	25	8536	Warning Horn	1
7	7941-3	Boot, Circuit Breaker	1	Fasteners			
8	7941-5	Circuit Breaker (7 Amp)	1	F004	1/4-20 Keps Nut		6
9	8997	Voltmeter Gauge	1	F228	#6 x 5/8 PPHSMS, SS		8
10	5995-2	Switch Boot	1	F238	J Clip, Instrument Panel		8
11	5995	Toggle Switch (Off-On)	1	F250	6-32 x 1/2 PPHMS		1
12	8990-1	Hourmeter (Global)	1	F251	6-32 Keps Nut		2
13	5975-1	Cable Tie (18# x 3-3/4")	2	F349	Washer .835 ID, 1.122 OD, SS		1
14	8945-3	Wire Harness, Instrument Panel	1	F448	6-32 x 5/16 PPHMS		1
15	8960-3	Key Set W/Umbrella	*	* Service Part Only			
16	7854	Plastic Tip, Red	1	** May be ordered as an option. Contact your Walker dealer.			
17	8960-15	Ignition Switch (with Keys) (Includes Items # 15, 16 & F349)	1	NOTE: Refer to ELECTRICAL CONNECTORS , Page 38 for identification of all Electrical Wiring Service Parts.			

INSTRUMENT PANEL ASSEMBLY



Beginning S/N 134121
 Effective Date 05-01-15
 Use only genuine Walker® replacement parts.

ELECTRICAL ASSEMBLY

ITEM NO.	PART NO.	DESCRIPTION	NO. REQ'D	ITEM NO.	PART NO.	DESCRIPTION	NO. REQ'D
Harness Assembly				Fasteners			
1	5975-3	Cable Tie (50# x 7")	6	F002		10-24 Keps Nut	8
2	5942-4	PTO Safety Switch (Normal Open)	1	F004		1/4-20 Keps Nut	3
3	5833	Cable Clamp (1/4)	1	F009		5/16-18 Whiz Locknut	1
4	8940-22	Wire Harness, EFI	1	F019		1/4-20 ESNA Wing Nut	2
5	7833	Cable Clamp (7/8 x 1/4)	2	F025		10-24 x 3/8 PPHMS	5
6	5832	Cable Clamp (1/2)	1	F026		10-24 x 1/2 PPHMS	1
7	8018-3	Wire Extension	1	F031		1/4-20 x 5/8 Hex Bolt	2
8	8012-5	Regulator Adapter Harness	1	F032		1/4-20 x 3/4 Hex Bolt	1
9	NS	Rectifier	*	F050		1/4 SAE Washer	4
10	8012-7	Ground Wire	1	F061		1/4 Star Lock Washer	1
11	7833-2	Cable Clamp (1 x 1/4)	2	F063		3/8 Internal Star Lock Washer	1
12	6942	Relay Switch (30/40 Amp) NC (Includes Items # 22 & 23)	1	F079		A/A66D Aluminum Pop Rivet	2
13	7948-6	Time Delay Module	1	F085		3/16 Rivet Backup Washer	1
14	7948-5	Time Delay Harness	1	F093		5/16-18 x 1 Hex Bolt	1
15	8941	Circuit Breaker (30 Amp) Auto Reset / Sealed	1	F106		3/8-16 x 5/8 Hex Bolt	1
16	8943	Positive Battery Lead Wire (Red)	1	F124		10-32 x 3/8 Taptite Machine Screw	2
17	5975-1	Cable Tie (18# x 3-3/4")	3	F129		10-24 x 1/2 PTHMS	1
18	5942-16	Safety Switch (Normal Open), Delta WP	1	F232		10-32 Keps Nut	2
19	5941-5	Safety Switch (Normal Open)	1	F505		6-32 x 7/8 Hex Trim MS, SS	2
20	7203-6	Riser Plate, Seat Switch	2	F506		6-32 Nylock Nut	2
21	5977-6	Grommet (1 x 1-1/4)	1				
22	6941-7	Relay Mount	*				
23	6941-6	Relay Switch (30/40 Amp)	*				
Battery Assembly				* Service Part Only			
24	6923	Negative Battery Cable	1	NOTE: Refer to ELECTRICAL CONNECTORS , Page 38 for identification of all Electrical Wiring Service Parts.			
25	5933	Battery Terminal Insul., Red (+)	1				
26	5844-3	Battery Hold-Down Bar	1				
27	5839	Hook Bolt	2				
28	6390-2	Battery Pan	1				
29	NS	Battery (12V/340CCA/Dry)	1				
30	5932	Battery Terminal Insul., Black (-)	1				
31	7834-2	Wire Saddle (2 Wires)	1				

ELECTRICAL ASSEMBLIES (GHS 10.0 BUSHEL COMPONENTS)

ITEM NO.	PART NO.	DESCRIPTION	NO. REQ'D
----------	----------	-------------	-----------

10.0 Harness Components

1	5519-4	Adapter Harness	1
2	5975-1	Cable Tie (18# x 3-3/4")	1
3	7835	Frame Clip (3/16)	6
4	5975-3	Cable Tie (50# x 7")	1
5	5536-2	Horn, Full Signal	*
6	8950	9.5 / 10.0 Wire Harness	1
7	5977-2	Grommet, Cut (1/8 x 3/8)	1

Grass-Pak® Switch Assemblies

8	5594-6	Aluminum Shaft & Vane Assembly	1
9	5592-21	Grass-Pak® Switch Assembly	1
10	5833	Cable Clamp (1/4)	2

ITEM NO.	PART NO.	DESCRIPTION	NO. REQ'D
----------	----------	-------------	-----------

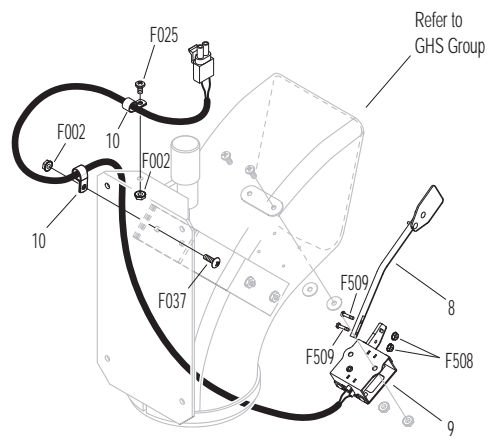
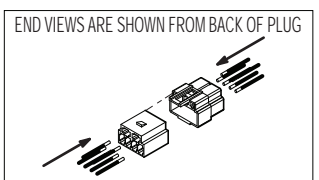
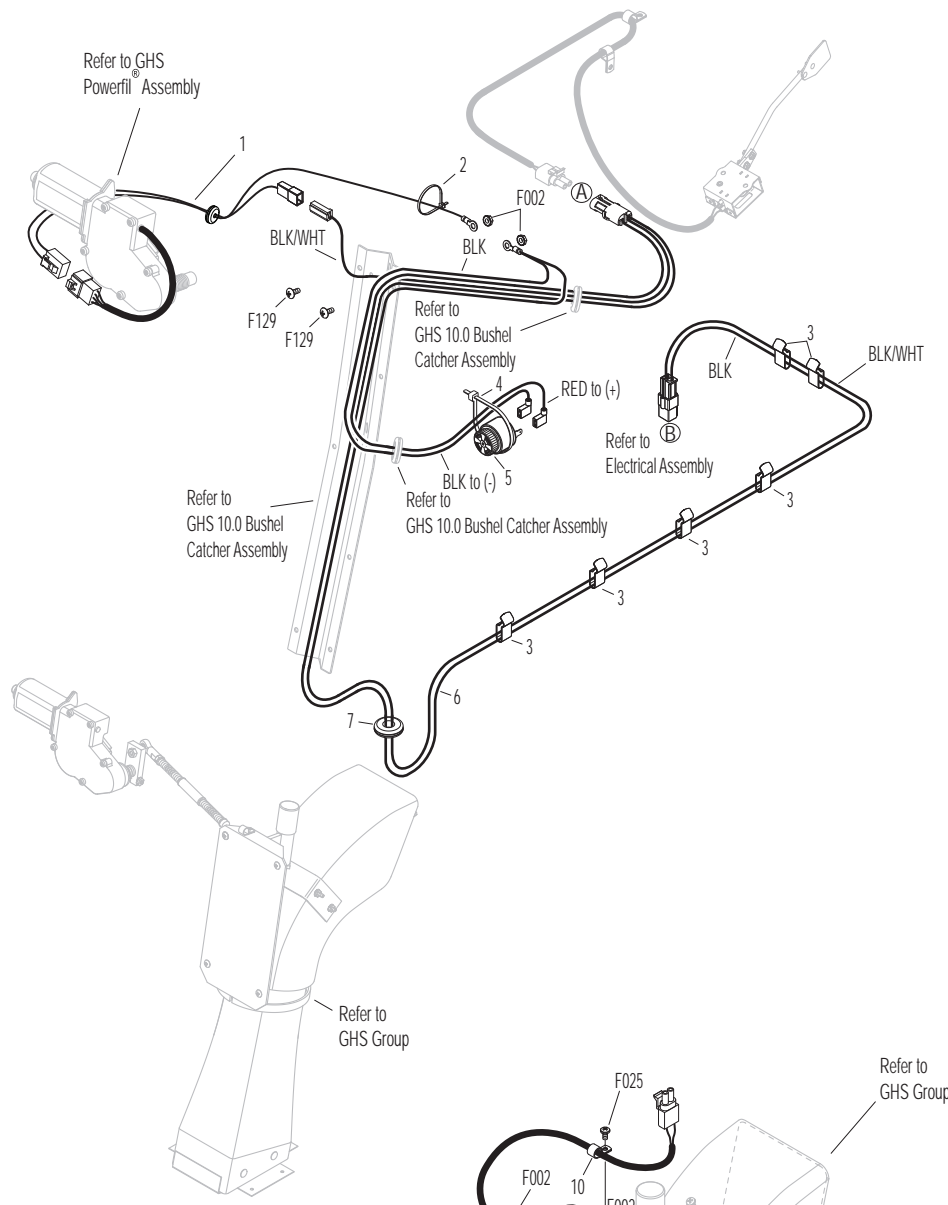
Fasteners

F002	10-24 Keps Nut	4
F025	10-24 x 3/8 PPHMS	1
F037	10-24 x 5/8 PTH Screw	1
F129	10-24 x 1/2 PTHMS	2
F508	4-40 Keps Nut, SS	2
F509	4-40 x 1/2 Hex Head, SS	2

* Service Part Only

NOTE: Refer to **ELECTRICAL CONNECTORS**, Page 38 for identification of all Electrical Wiring Service Parts.

ELECTRICAL ASSEMBLIES (GHS 10.0 BUSHEL COMPONENTS)

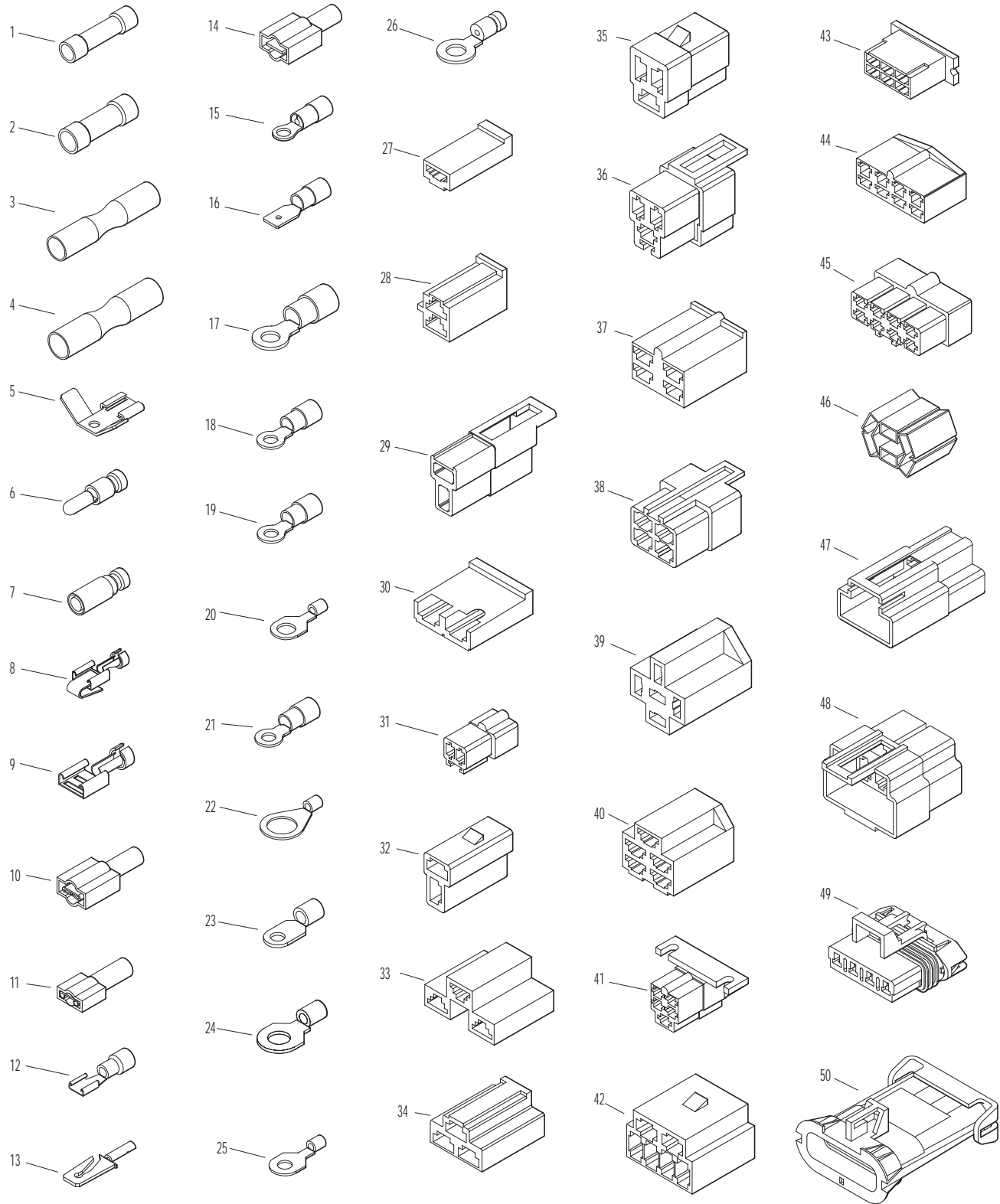


Beginning S/N 134121
 Effective Date 05-01-15
 Use only genuine Walker® replacement parts.

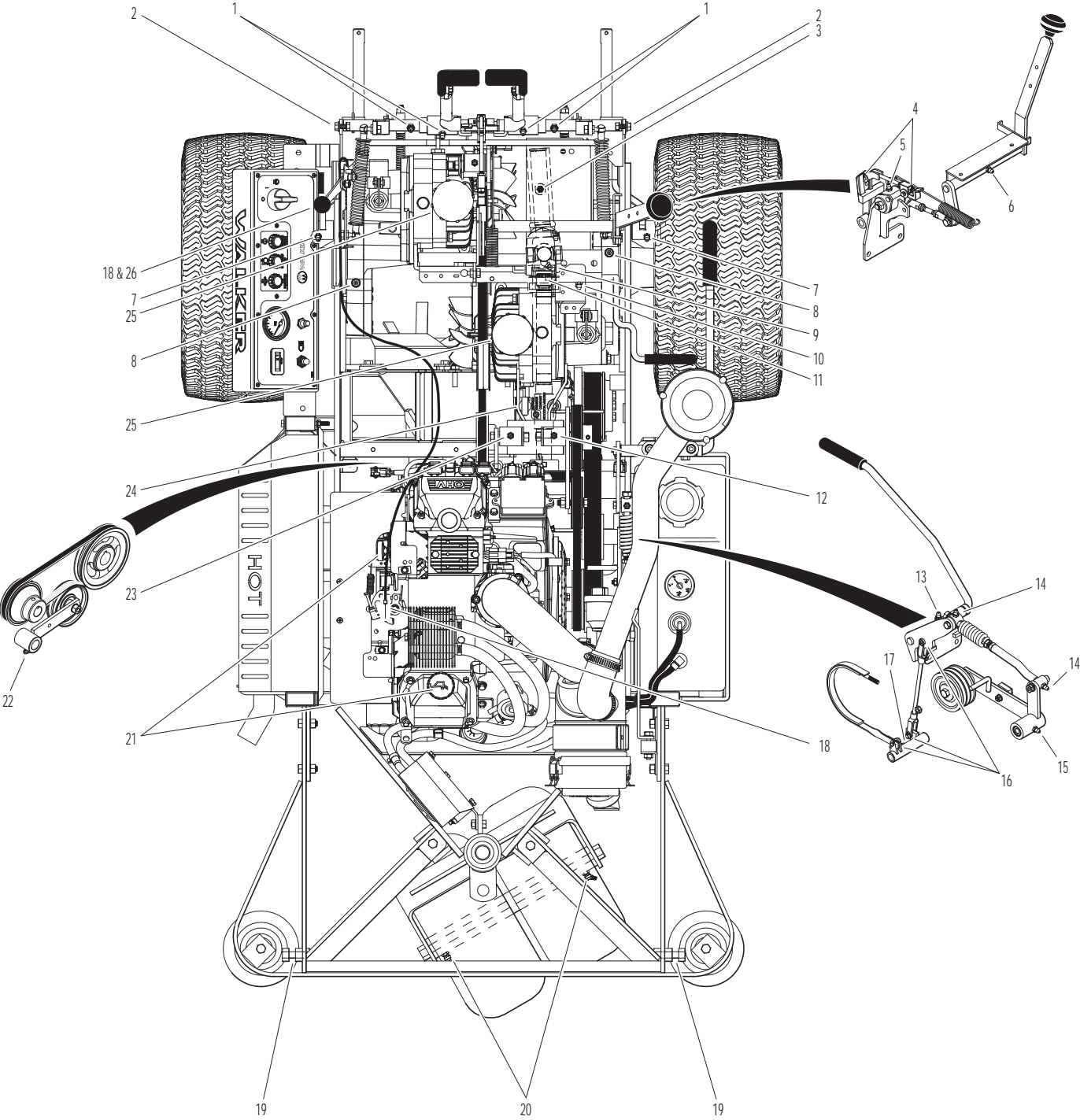
ELECTRICAL CONNECTORS

ITEM NO.	PART NO.	DESCRIPTION	NO. REQ'D	ITEM NO.	PART NO.	DESCRIPTION	NO. REQ'D
Electrical Wiring Service Parts				29	7942-1	2-Way Locking Connector, Female	*
1	5996-1	16-14 GA Butt Connector	*	30	7942-2	2-Way Connector, Male	*
2	5996-11	12-10 GA Butt Connector	*	31	7942-3	2-Way Connector, Female	*
3	7942-14	16-14 GA Shrink Connector	*	32	7942-10	2-Way Locking Connector, Male	*
4	7942-13	12-10 GA Shrink Connector	*	33	5940-8	3-Way Connector, Male	*
5	5995-1	Wire Terminal Adapter	*	34	7942-9	3-Way Connector, Male	*
6	5996-4	16-14 GA Bullet Conn., Male	*	35	8944	3-Way Locking Connector, Male	*
7	5996-5	16-14 GA Bullet Conn., Female	*	36	8944-1	3-Way Locking Connector, Female	*
8	5940-4	16-14 GA Spg. Loaded Term., Female	*	37	7942-11	4-Way Connector, Male	*
9	5940-7	Wire Clip, Female	*	38	7942-12	4-Way Connector, Female	*
10	5996	1/4 x 16-14 GA QKS Term., Female	*	39	7942-5	5-Way Connector, Male	*
11	5996-2	3/16 x 22-18 GA QKS Term., Female	*	40	5940-2	5-Way Connector, Male	*
12	7996	16-14 GA QKS Term., Female	*	41	8942-1	5-Way Connector, Female	*
13	5940-5	16-14 GA Spg. Loaded Term., Male	*	42	7942-6	6-Way Connector, Male	*
14	5996-0	1/4 x 22-18 GA QKS Term., Male	*	43	7942-7	6-Way Connector, Male	*
15	5996-18	16-14 GA Ring Term. (#8) Nylon Insulated	*	44	7942-8	8-Way Connector, Male	*
16	7996-1	1/4 x 16-14 GA QKS Term., Male	*	45	8942-2	8-Way Connector, Female	*
17	5996-8	6 GA Ring Lug (5/16)	*	46	8942-3	5-Way Connector, Male	*
18	5996-9	22-18 GA Ring Term., #10	*	47	5940-9	3-Way Connector (M)	*
19	5996-10	16-14 GA Ring Term. (5/16)	*	48	7942-15	6-Way Connector (Female)	*
20	5996-12	12-10 GA Ring Term. (5/16)	*	49	7940-3	Packard Plug (Male)	*
21	5996-13	16-14 GA Ring Term., # 10	*	50	7940-4	Packard Plug (Female)	*
22	5996-15	12-10 GA Ring Term. (1/2)	*	* Service Part Only			
23	5996-16	6 GA Ring Terminal (1/4)	*	NOTE: Not all Electrical Connectors are used with all assemblies.			
24	5996-17	16-14 GA Ring Term. (1/4)	*	NOTE: Refer to ELECTRICAL ASSEMBLY , Page 34 for locations of Wiring Harness and of all Electrical Wiring Service Parts.			
25	5996-20	12-10 GA Ring Term. (1/4)	*				
26	5996-21	12-10 GA Ring Term., #10	*				
27	7942-4	Single Connector, Male	*				
28	8942	2-Way Connector, Male	*				

ELECTRICAL CONNECTORS

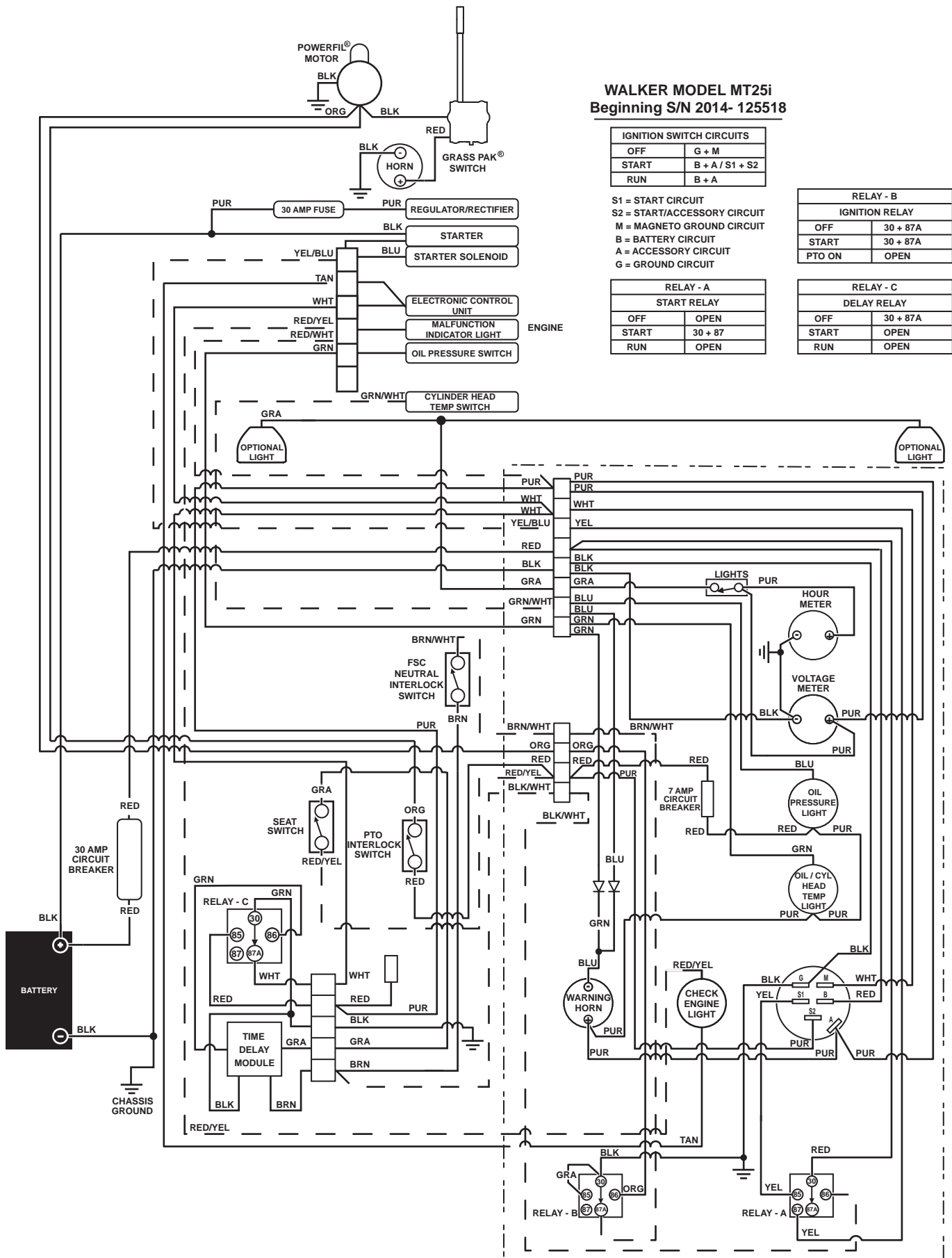


LUBRICATION POINTS



Beginning S/N 134121
Effective Date 05-01-15
Use only genuine Walker® replacement parts.

WIRING SCHEMATIC



WALKER MODEL MT25i Beginning S/N 2014- 125518

IGNITION SWITCH CIRCUITS	
OFF	G + M
START	B + A / S1 + S2
RUN	B + A

S1 = START CIRCUIT
S2 = START/ACCESSORY CIRCUIT
M = MAGNETO GROUND CIRCUIT
B = BATTERY CIRCUIT
A = ACCESSORY CIRCUIT
G = GROUND CIRCUIT

RELAY - A START RELAY	
OFF	OPEN
START	30 + 87
RUN	OPEN

RELAY - B IGNITION RELAY	
OFF	30 + 87A
START	30 + 87A
PTO ON	OPEN

RELAY - C DELAY RELAY	
OFF	30 + 87A
START	OPEN
RUN	OPEN

Beginning S/N 134121

Effective Date 05-01-15

Use only genuine Walker® replacement parts.

LIMITED WARRANTY FOR WALKER COMMERCIAL RIDER MOWER

1. WHAT THIS WARRANTY COVERS, AND FOR HOW LONG:

Walker Manufacturing company will, at its option, repair or replace, without charge, any part covered by this warranty which is found to be defective in material and/or workmanship within one (1) year* after date of sale to the original retail purchaser unless the product is used for rental purposes, in which case this warranty is limited to ninety (90) days. At Walker's request, customer will make the defective part available for inspection by Walker and/or return the defective part to Walker, transportation charges prepaid. All parts and components of the Walker Mower are covered by this warranty **except** the following components which are warranted separately by their respective manufacturers:

Kohler Engine
Battery

The available warranties covering these items are furnished with each mower. Walker does not assume any warranty obligation, liability or modification for these items, which are covered exclusively by the stated warranty of the respective manufacturers noted above.

* Extended warranties are offered for the following powertrain components:

- A three (3) year unlimited hour warranty is offered for the Walker P/N 6200-9 Gear Axle Assembly.
- A three (3) year or 3000 hour (whichever comes first) warranty is offered for Eaton Model 7 Hydrostatic transmissions; covers full cost of replacement up to 1000 hours of use, and after 1000 hours warranty coverage is prorated against 3000 hours.

2. WHAT THIS WARRANTY DOES NOT COVER:

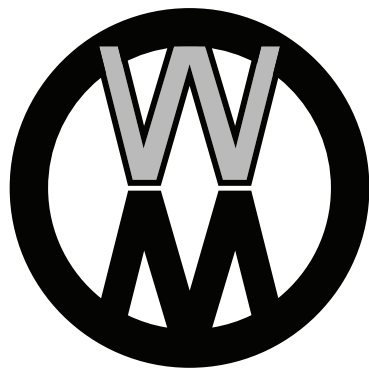
- A. This warranty does not cover defects caused by depreciation or damage caused by normal wear, accidents, improper maintenance, improper use or abuse of the product, alterations, or failure to follow the instructions contained in the Operator's Manual for operation and maintenance.
- B. The customer shall pay any charges for making service calls and/or for transporting the mower to and from the place where the inspection and/or warranty work is performed.

3. HOW TO OBTAIN SERVICE UNDER THIS WARRANTY:

Warranty service can be arranged by contacting the dealer where you purchased the mower or by contacting Walker Manufacturing Company, 5925 East Harmony Road, Ft. Collins, CO 80528. Proof of the date of purchase may be required to verify warranty coverage.

4. WARRANTY LIMITATION:

- A. **THERE IS NO OTHER EXPRESS WARRANTY. ANY WARRANTY THAT MAY BE IMPLIED FROM THIS PURCHASE INCLUDING MERCHANTABILITY AND FITNESS FOR A PARTICULAR PURPOSE IS HEREBY LIMITED TO THE DURATION OF THIS WARRANTY AND TO THE EXTENT PERMITTED BY LAW ANY AND ALL IMPLIED WARRANTIES ARE EXCLUDED.** Some states do not allow limitations on how long an implied warranty lasts, so the above limitations may not apply to you.
- B. **WALKER WILL NOT BE LIABLE FOR ANY INCIDENTAL, CONSEQUENTIAL, OR SPECIAL DAMAGES AND/OR EXPENSES IN CONNECTION WITH THE PURCHASE OR USE OF THE MOWER.** Some states do not allow the exclusion or limitation of incidental or consequential damages, so the above limitation(s) or exclusion(s) may not apply to you.
- C. Only the warranty expressed in this limited warranty shall apply and no dealer, distributor, or individual is authorized to amend, modify, or extend this warranty in any way. Accordingly, additional statements such as dealer advertising or presentations, whether oral or written, do not constitute warranties by Walker, and should not be relied upon.
- D. This warranty gives you specific legal rights, and you may also have other rights which vary from state to state.



WALKER

WALKER MFG. CO. • 5925 E. HARMONY ROAD, FORT COLLINS, CO 80528 • (970) 221-5614
FORM NO. 011217 PRINTED IN USA www.walkermowers.com ©2017 WALKER MFG. CO