

# WALKER

## Illustrated Parts Manual

# *H27i*



Beginning S/N: 125122  
Effective Date: 10.21.13  
P/N 2000-17

# KEY TO ABBREVIATIONS USED IN THIS MANUAL

<i>Abbreviation</i>	<i>What it Represents</i>
° (Dimension)	Degrees (Angle)
" (Dimension)	inches
(-)	Negative (Polarity)
(+)	Positive (Polarity)
AT	All-Terrain
CCW	Counter-clockwise
Conn	Connector
CW	Clockwise
D	Diameter
DC	Deck, Collection (number refers to size in inches)
DM	Deck, Mulching (number refers to size in inches)
DR	Deck, Rear Discharge (number refers to size in inches)
DS	Deck, Side Discharge (number refers to size in inches)
DU	Garlock (Bearing)
ESNA (Fastener)	Nylon Insert Locknut
FSC	Forward Speed Control
GA	Gauge
gal	gallon
GHS	Grass Handling System
GR (Fastener)	Grade
HD	Heavy Duty
HP	Horse Power
ID	Identification or Inside Diameter
L	Length
LH	Left Hand (orientated with operator on seat)
LP	Low Profile
mm (Dimension)	millimeters
MS (Fastener)	Machine Screw
NS (as part number)	Item is not sold by Walker Manufacturing
OD	Outside Diameter
oz	ounce
PFH (Fastener)	Phillips Flat Head
P/N	Part Number
PPH (Fastener)	Phillips Pan Head
PTH (Fastener)	Phillips Truss Head
PTO	Power Take-Off
QKS	Quick Slide
qt	quart
RH	Right Hand (orientated with operator on seat)
SAE (Fastener)	Society of Automotive Engineers
SBH (Fastener)	Socket Button Head (Bolt)
SFH (Fastener)	Slotted Flat Head
SHC (Fastener)	Socket Head Cap
SHL (Fastener)	Shoulder (Bolt)
SM (Fastener)	Sheet Metal (Screw)
S/N	Serial Number
Spg	Spring
SQH (Fastener)	Square Head
SS (Fastener)	Stainless Steel
ST (Fastener)	Self-Tapping (Screw)
Term	Terminal
V	Volts
VLR	Very Low Restriction

NOTE: In some instances, combinations of abbreviations may be used (e.g. PPHMS - Phillips Pan Head Machine Screw).

Beginning S/N 125122

Effective Date 10-21-13

Use only genuine Walker® replacement parts.

# ILLUSTRATED PARTS LIST

<i>Section of Tractor Covered</i>	<i>Page</i>	<i>Section of Tractor Covered</i>	<i>Page</i>
<hr/>		<hr/>	
<b>Decals</b>		<b>Electrical Components</b>	
Tractor Decals .....	2	Electrical Assembly .....	14
<b>Body / Chassis Assemblies</b>		<b>Maintenance</b>	
Body / Chassis Assembly .....	4	Lubrication Points .....	16
<b>Tractor Components</b>		Wiring Schematic.....	18
Main Component Power Transmission .....	6	Maintenance And Service Record Sheet.....	19
Engine Group.....	8	<b>Warranty</b>	
Hydrostatic Ground Drive Assemblies.....	10	Limited Warranty .....	21
Steering Control Assemblies.....	12		

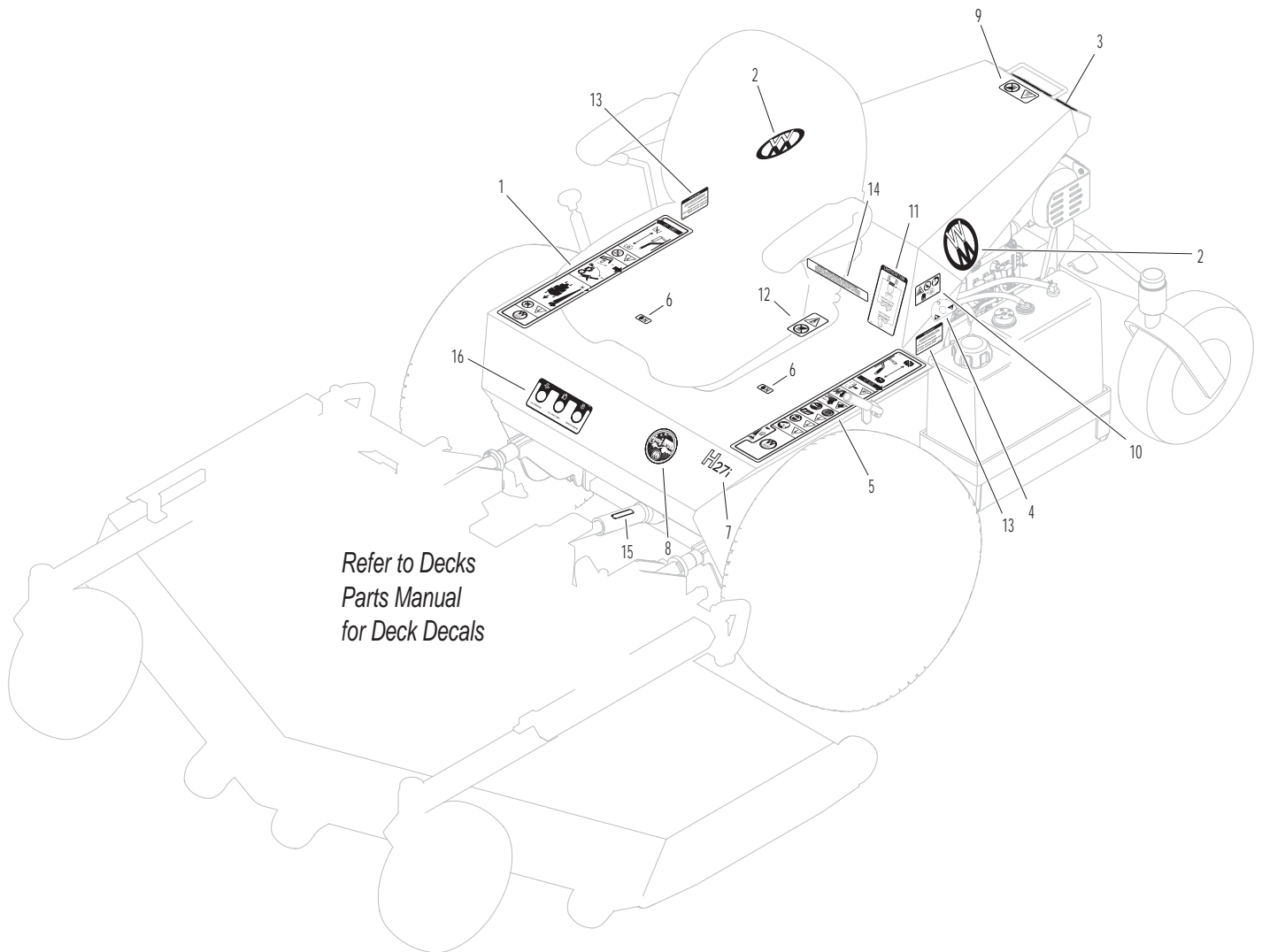
# TRACTOR DECALS

ITEM NO.	PART NO.	DESCRIPTION	LOCATION	NO. REQ'D SD
<b>Walker Product and Operation Decals</b>				
1	2802-4	RH Fender	Body, RH near Seat	1
2	5800	Decal, Walker Round (4")	Rear Body (one on each side)	2
3	5800-7	Decal, Walker (8")	Rear Body	1
4	2010-16	Fuel Transfer	Transfer Mount, LH	1
5	2802-5	LH Fender	Body, LH near Seat	1
6	9804-1	Axle Lockout	Hydro Mount Plate	2
7	8821-5	Decal, H27i	Body	1
8	5856-1	Made in USA	Body	1
<b>Danger Decals Warning Decals Caution Decals</b>				
9	8600-5	Caution, Engine Exhaust	Rear Body	1
10	8600-12	Danger, Engine Exhaust	Engine, LH Side	1
11	2107-5	Decal, Belt Routing	Rear Body, Underside	1
12	8600-2	Danger, Rotating Components	Coupling Guard, RH Side	1
<b>Maintenance Decals</b>				
13	5082-5	Fuel Recommendations	Rear Body (one on each side)	2
14	5855	Important, Engine Cooling	Engine	1
15	6875	PTO Alignment Arrow	Universal Joint Tube Assembly	1
16	2807-7	Decal, Systems Warning	Body	1

**NOTE:** All parts requiring decals are shipped with decals applied.



# TRACTOR DECALS



# BODY / CHASSIS ASSEMBLY

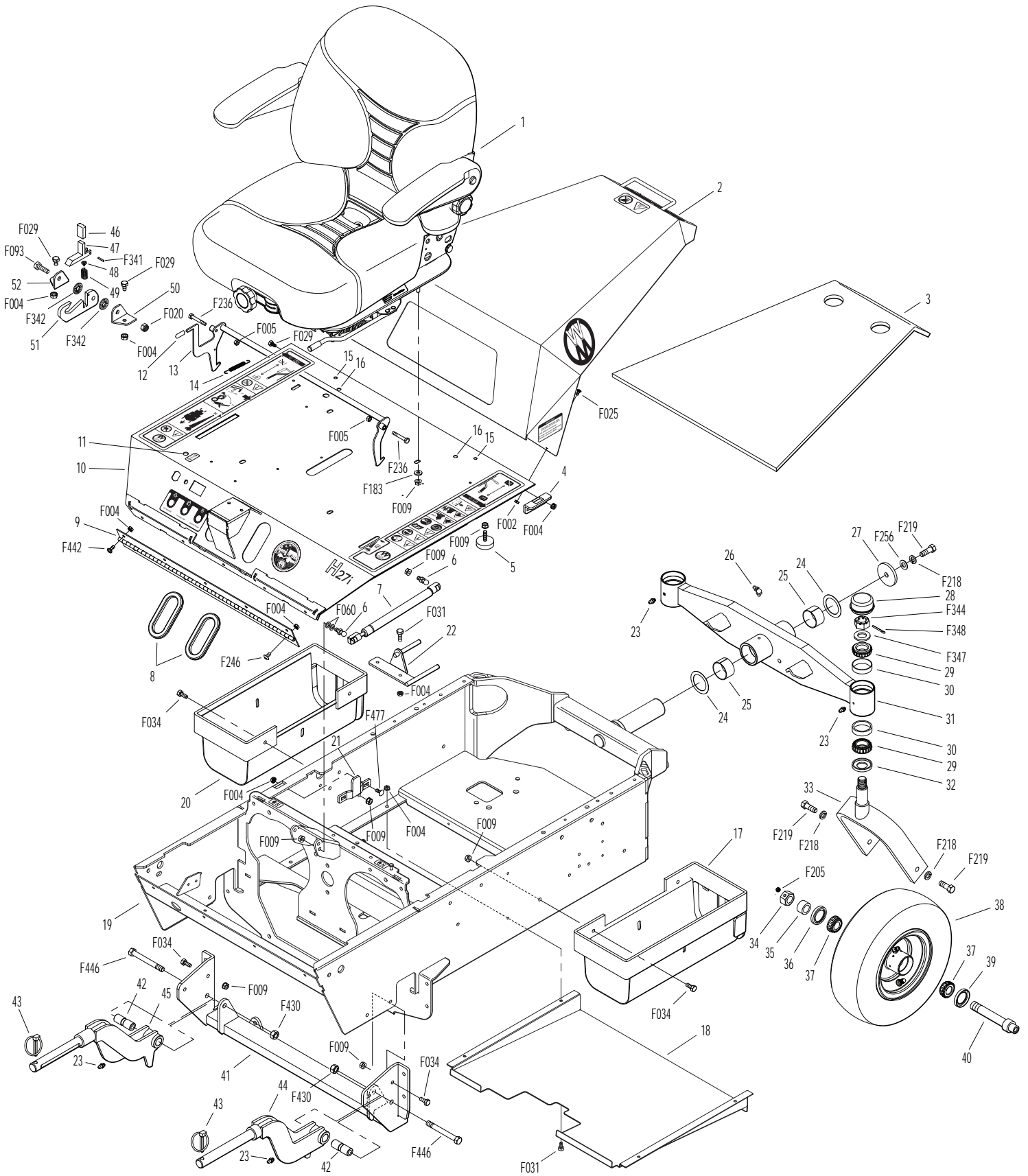
ITEM NO.	PART NO.	DESCRIPTION	NO. REQ'D	ITEM NO.	PART NO.	DESCRIPTION	NO. REQ'D
<b>Body &amp; Seat Assembly</b>				<b>Deck Support Arm &amp; Hitch Assemblies</b>			
1	2103-1	Seat	1	41	2300-9	Deck Arm Support Mount	1
2	2105-12	Rear Body (Includes Item # 3)	1	42	6840-1	Support Arm Bushing (2-1/16)	2
3	2190-1	Insulation Foam Pad	1	43	2775	Lynch Pin (5/16 x 1-1/4)	2
4	4102-1	Body Guide, Upper	1	44	2431-2	Deck Support Arm, LH (Includes Item # 23)	1
5	7844	Rubber Bumper (1.25 x .250)	2	45	2430-2	Deck Support Arm, RH (Includes Item # 23)	1
6	5146	10mm Ball Stud	2	<b>Tilt-Up Latch Assembly*</b>			
7	2145	Gas Spring	1	46	5847	Plastic Tip	1
8	5180	Edge Molding, Lever Opening	2	47	5744-20	Spring Arm, Tilt-Up Latch	1
9	2504-4	Hinge (22.5)	1	48	5744-10	Spring Pivot Bushing	1
10	2100-6	Front Body (Includes Item # 5)	1	49	5744-15	Compression Spring (3/8 x 5/8)	1
11	5989-55	Dome Plug (1/2)	1	50	5744-13	Mount Angle, LH	1
12	7854	Plastic Tip, Red	1	51	5744-12	Hook, Tilt-Up Latch	1
13	2383	Body Latch Hook	1	52	5744-14	Mount Angle, RH	1
14	7222	Extension Spring (1/4 x 3)	1	<b>Fasteners</b>			
15	5989-4	Dome Plug (3/8)	2	F002	10-24 Keps Nut		5
16	5989-3	Dome Plug (5/16)	2	F004	1/4-20 Keps Nut		21
<b>Chassis Assembly</b>				F005	1/4-20 ESNA Nut		2
17	2046-1	Gas Tank Mount, LH	1	F009	5/16-18 Whiz Locknut		14
18	2301	Debris Shield (Includes Items # F004 & F029)	1	F020	5/16-18 ESNA Nut		1
19	2300-13	Chassis Frame	1	F025	10-24 x 3/8 PPHMS		5
20	2046	Gas Tank Mount	1	F029	1/4-20 x 1/2 Hex Bolt		4
21	4102-2	Body Guide, Lower	1	F031	1/4-20 x 5/8 Hex Bolt		6
22	2325-8	Belt Guide	1	F034	5/16-18 x 3/4 Hex Bolt		6
<b>Tail Wheel Assembly</b>				F060	AN960516 Washer		2
23	5830	Grease Fitting	4	F093	5/16-18 x 1 Hex Bolt		1
24	2201-2	Fiberglide Thrust Washer	2	F183	.312 x .700 x .074 Washer		4
25	2201-3	Fiberglide Bearing (1-5/8)	2	F205	5/16-18 x 1/4 Set Screw (Knurl Point)		2
26	5830-4	Grease Fitting (90 Deg.)	1	F218	7/16 Split Lock Washer		5
27	2201-4	Washer (2-1/4 x 7/16 x 1/4 Thk)	1	F219	7/16-14 x 1-1/4 Hex Bolt		5
28	8769-8	Dust Cap, Deck Caster	2	F236	1/4-20 x 1-3/4 Hex Bolt		2
29	8769-6	Bearing Cone (1" ID)	4	F246	1/4-20 x 1/2 PTHMS		4
30	8769-5	Bearing Cup (2 x 1-5/8)	4	F256	7/16 SAE Washer		1
31	2300-10	Tail Wheel Pivot (Includes Items # 23, 25 & 26)	1	F341	Coil Roll Pin (7/64 x 9/16)		1
32	8769-7	Seal	2	F342	5/16 Conical Washer		2
33	2770	Caster Wheel Fork	2	F344	3/4-16 Slotted Hex Nut		2
34	8039	Nut, Tail Wheel Axle	2	F347	3/4 SAE Washer		2
35	8038-1	Spacer, Tail Wheel Axle (.750 ID x 1.125 OD)	2	F348	1/8 x 1-1/2 Cotter Pin		2
36	8768-2	Seal, Reverse Lip	2	F430	7/16-20 ESNA Nut		2
37	8037	Bearing Cone (3/4 ID)	4	F442	1/4-20 x 5/8 PTHMS		5
38	8035	Tail Wheel & Tire (13 x 5.00-6) (W/Bearing Race)	2	F446	7/16-20 x 3-1/2 Grd 8 Bolt		2
39	8037-1	Seal, Outer (1-3/4 x 1-1/8)	2	F477	1/4-20 x 5/8 Carriage Bolt		2
40	7038	Tail Wheel Axle (3/4 x 5-9/16)	2	* Complete Tilt-Up Latch Assembly Kit available by ordering kit # 5747.			

Beginning S/N 125122

Effective Date 10-21-13

Use only genuine Walker® replacement parts.

# BODY / CHASSIS ASSEMBLY



Beginning S/N 125122  
 Effective Date 10-21-13  
 Use only genuine Walker® replacement parts.

# MAIN COMPONENT POWER TRANSMISSION

ITEM NO.	PART NO.	DESCRIPTION	NO. REQ'D	ITEM NO.	PART NO.	DESCRIPTION	NO. REQ'D
<b>PTO Drive Assembly</b>				<b>Fasteners</b>			
1	4850	Handle Grip, Black	1	F004		1/4-20 Keps Nut	6
2	2358-1	Clutch Lever, MBS (Includes Items # 1 & 3)	1	F008		5/16-24 Keps Nut	1
3	5830-3	Grease Fitting (45 Deg.)	4	F009		5/16-18 Whiz Locknut	17
4	4303-7	Clutch Actuator Bolt (5/16)	1	F010		5/16-24 ESNA Nut	1
5	2306-2	Oilite Flanged Bushing	2	F012		3/8-16 Keps Nut	1
6	2325-7	Clutch Arm (Includes Items # 3 & 5)	1	F013		3/8-16 Whiz Locknut	2
7	5221-1	Extension Spring (3/4 x 5)	1	F014		3/8-16 ESNA Nut	1
8	2358-11	Clutch Actuator	1	F020		5/16-18 ESNA Nut	2
9	5214-13	Ball Joint (3/8)	2	F029		1/4-20 x 1/2 Hex Bolt	1
10	2010-37	Flex Coupling Guard, RH	1	F031		1/4-20 x 5/8 Hex Bolt	11
11	2010-19	Flex Coupling Guard, LH	1	F034		5/16-18 x 3/4 Hex Bolt	9
12	2358-9	Clutch Pivot Base	1	F035		5/16-18 x 1-1/4 Hex Bolt	2
13	2358-8	Adjustor Brace	1	F039		3/8-16 x 1-1/4 Hex Bolt	1
14	7775-6	Wire Lock Pin (2-1/2")	3	F050		1/4 SAE Washer	1
15	2302-4	Right Hand Shoe	1	F051		3/8 SAE Washer	2
16	2302-7	Upper Shoe, LH	1	F058		1/4 Wave Spring Washer	6
17	2302-3	Left Hand Shoe	1	F060		AN960516 Washer	2
18	2349-7	Bearing Mount	1	F061		1/4 Star Lock Washer	1
19	2406-5	Spacer	1	F069		3/32 x 1/2 Cotter Pin	1
20	2236-5	PTO Pulley (4.5/AAA)	1	F091		5/16-18 x 5/8 Hex Bolt	4
21	2359-1	Brake Band / Guard Mount	1	F104		1/4-20 x 3/4 PFH Bolt	2
22	7775-8	Wire Lock Pin (4")	1	F120		AN960416 Washer	8
23	2302-5	PTO Shoe	1	F146		1/4-20 Jam Nut	1
24	7275-9	Quick Coupler Installation Tool	**	F149		1/4 x 1/4 x 1-1/2 Key	1
25	7275-16	Universal Joint Tube Assembly / Spline	1	F168		5/16 Split Lock Washer	1
26	2274-10	PTO Drive Shaft Assembly	*	F170		5/16 x 1 x 7/64 Flat Washer (Zinc Plate)	1
27	2302-6	Shoe Mount, LH	2	F171		5/16-18 x 3/8 Set Screw	1
28	2358-7	Clutch / Pivot Stop	1	F178		1/4 x 1 Fender Washer	1
29	4359-2	Brake Band Link, Rear	1	F182		1/4 x 5/8 x 1/8 Washer	1
30	8304	Brake Band (14-1/2)	1	F183		.312 x .700 x .074 Washer	4
31	4359-1	Brake Band Link, Front	1	F211		1/4-20 x 7/8 Hex Bolt	2
32	7523-2	Clevis Pin W/Hole (1/4 x 5/8)	1	F217		7/16-14 Hex Nut	2
33	2410-2	Drive Shaft	1	F218		7/16 Split Lock Washer	2
34	2265	Bearing (20mm)	4	F219		7/16-14 x 1-1/4 Hex Bolt	2
35	2406-7	Pivot Shaft Spacer	1	F246		1/4-20 x 1/2 PTHMS	1
36	2236-1	Idler Pulley (4.5/AAA)	2	F255		5/16-18 x 1-1/2 Hex Bolt	4
37	2230	Engine PTO Belt / Set (3)	1	F298		3/8-24 Jam Nut	2
38	2236-6	Pulley (Includes Items # F149 & F171)	1	F350		1/4-20 LP Nylock	9
39	2236-4	Idler Pulley Shaft	1	F389		3/8-16 x 2-3/4 Hex Bolt	1
40	7201-3	Fiberglide Bearing	2	F431		1/4-20 x 3-1/2 Hex Bolt	1
41	7201-9	Inner Race	1	F435		1/4 x 1/4 x 1-1/4 Key	2
42	2359-2	Clutch Engagement (Includes Items # 3 & 40)	1	F450		Washer 5/8 x 1-3/4 x 1/4	1
43	2349-6	Flanged Bearing	1	F452		5/8-18 Nylon Locknut	1
44	4302-2	Shoe Mount	1	F473		5/16-18 x 5 Hex Bolt	1
45	2358-12	Fiberglide Bushing	1	F476		3/8-16 x 6-1/2 Hex Bolt	1
46	7201-2	Fiberglide Bearing 1/2"	1	F484		Washer .380 ID x 1.0 OD x .120	2
47	7377	Plastic Washer (1 x .438 x .025)	2				
48	7378	Pivot Bearing (7/16 x 9/16)	1				
49	5214-2	Ball Joint (5/16-24) (Nylon Lined)	1				
50	7226	Compression Spring (3/4 x 2-1/2)	1				
51	7380	Knuckle Joint	1				

\* Service Part Only

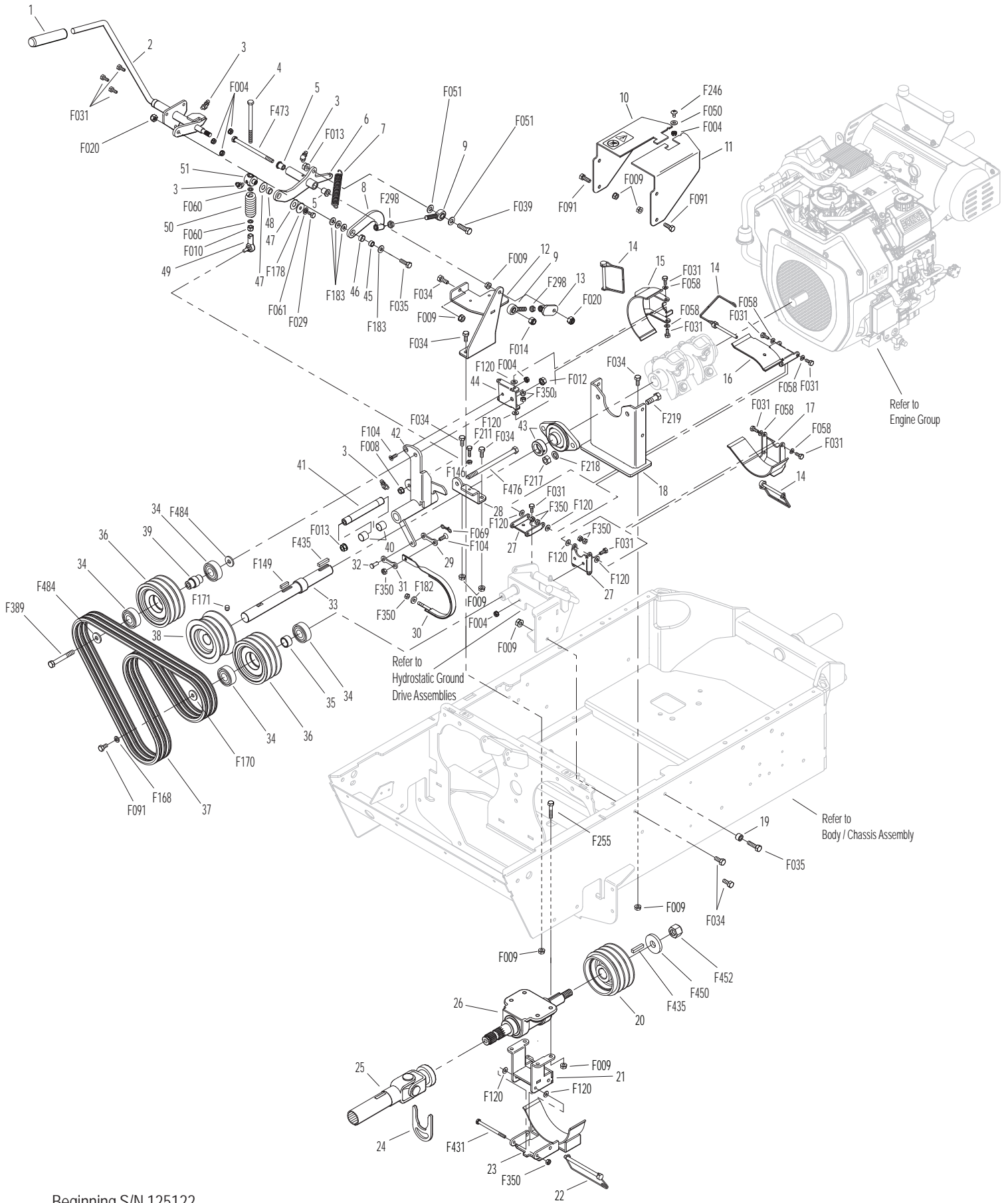
\*\* The Quick Coupler Installation Tool is used to assist the installation of the Quick Coupler Tube and PTO Shaft connection by holding the disconnect ring in the retracted position when joined to the tractor spline shaft on the PTO Drive Shaft.

Beginning S/N 125122

Effective Date 10-21-13

Use only genuine Walker® replacement parts.

# MAIN COMPONENT POWER TRANSMISSION



Beginning S/N 125122  
 Effective Date 10-21-13  
 Use only genuine Walker® replacement parts.

# ENGINE GROUP

ITEM NO.	PART NO.	DESCRIPTION	NO. REQ'D	ITEM NO.	PART NO.	DESCRIPTION	NO. REQ'D
<b>Fuel Tank Assembly</b>				<b>Precleaner Assembly</b>			
1	5082-4	2-1/4 Ratchet Fuel Cap (EPA)	2	36	6029	Hose Clamp (1-3/4 to 2-1/4)	3
2	8055-2	Fuel Tank Gauge	2	37	2012-2	Air Intake Hose	1
3	8043-8	Roll Over Valve	2	38	7026-2	Remote Precleaner	1
4	5977-7	Roll Over Grommet (.900 x 1-1/2)	2	39	2088-10	Air Cleaner Assembly	*
5	5083-1	Bushing, Rubber (Fits 5083)	2			(Includes Items # 39-45)	
6	5083-8	Tank Tube (13")	2	40	5091-2	Air Flow Indicator (Vacuum 10" H2O)	1
7	5879-3	Hose Clamp (1/2)	7	41	5091-16	Street Elbow 90° (1/8 x 1/8)	1
8	M111	Fuel Line (1/4 x 24")	1**	42	5088-3	Air Cleaner Band	1
9	M113	Fuel Line (3/16 x 9")	1**	43	2090-3	Safety Filter Insert	1
10	M113	Fuel Line (3/16 x 12")	1**	44	2090-1	Air Cleaner Cartridge	1
11	7014-9	Fuel Filter	1	45	2088-2	Air Cleaner Cap	1
12	8043-6	Connector "Y"	1	46	2090-2	Vacuator Valve	1
13	M111	Fuel Line (1/4 x 26-1/2")	1**	<b>Throttle Assembly</b>			
14	5975-3	Cable Tie (50# x 7")	4	47	2108-4	Control Cable (68")	1
15	M113	Fuel Line (3/16 x 31")	1**	48	8123-3	Insultherm (3/8 x 10)	1
16	4010-1	Drain Valve 3/8-18 NPTF	1	49	5108-1	Control Lever, Throttle / Choke	1
17	2010-3	Fuel Valve	1	50	5108-5	Throttle Control Knob, Red	1
18	2010-14	Fuel Transfer Mount	1	51	5108-11	Friction Washer (.062)	1
19	M111	Fuel Line (1/4 x 11")	1**	52	7108	Control Assembly	1
20	8055-1	Fuel Tank, 4.7 Gallon, Gas (Black) (Includes Items # 2-6, 21 & 22)	2			(Includes Items # 49, 51, 53-55 & F201)	
21	5086-7	Hose (1/4 x 6)	2			2108-5 Throttle Control and Cable Assembly	*
22	5020-2	Fuel Filter, In Tank	2			(Includes Items # 49-51, 53-56, F002, F005, F050, F164 & F201)	
<b>Remote Oil Cooler Assembly</b>				53	5108-8	Control Bracket	1
23	NS	Oil Cooler Hose (Kohler 24 326 130-S)	1	54	5108-10	Friction Washer (.125)	1
24	NS	Oil Cooler Hose (Kohler 24 326 129-S)	1	55	5108-7	Control Lock Tab	1
25	NS	Clamp (Kohler 24-237-16-S)	4	56	5172	Bearing, Delrin (.255 ID x .379 OD x .250)	1
26	NS	Oil Cooler (Kohler 24-594-42-S)	1	<b>Fasteners</b>			
27	8016-8	Oil Cooler / Reg Mount	1	F002	10-24 Keps Nut		7
<b>Engine Assembly</b>				F004	1/4-20 Keps Nut		4
28	2104-1	Body Support	1	F005	1/4-20 ESNA Nut		1
29	4845	Rubber Bumper (1.0 x .625)	2	F009	5/16-18 Whiz Locknut		4
30	NS	Kohler Nut	*	F025	10-24 x 3/8 PPHMS		6
31	2013-4	Shield Side	2	F031	1/4-20 x 5/8 Hex Bolt		4
32	2013-3	Muffler Heat Shield	1	F034	5/16-18 x 3/4 Hex Bolt		2
33	NS	Oxygen Sensor (Kohler 25 418 07-S)	1	F050	1/4 SAE Washer		1
34	NS	Muffler (Kohler 24 786 33-S)	*	F164	10-24 x 1/4 x 3/8 SHL Bolt		1
35	NS	27 HP Engine (Pulse Pump) (Kohler, Spec. # ECH 749-3064)	*	F175	1/2 Split Lock Washer		4
				F184	1/4-20 x 1/2 Hex Bolt, SS		4
				F185	1/4 Internal Star Lock Washer, SS		4
				F201	1/4 Belleville Spring Washer		2
				F439	1/2-13 x 1-3/4 Hex Bolt		4

\* Service Part Only

\*\* **Required hose specifications:**

M111 - 1/4" ID fuel/oil/vapor hose (Gates 4219-0103 or equivalent)

M113 - 3/16" ID fuel/oil/vapor hose (Gates 4219-0093 or equivalent)

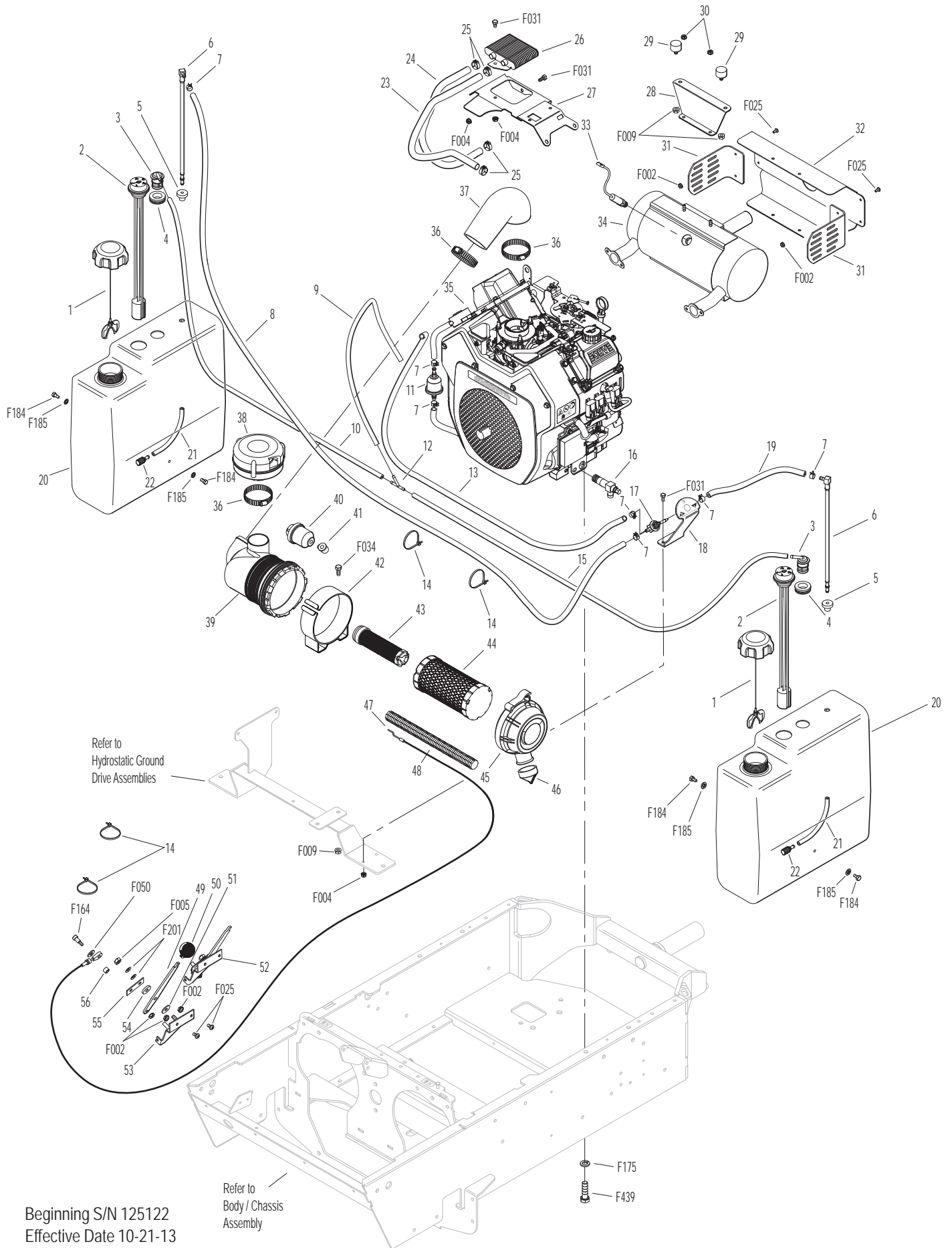
Beginning S/N 125122

Effective Date 10-21-13

Use only genuine Walker® replacement parts.



# ENGINE GROUP



Beginning S/N 125122  
 Effective Date 10-21-13  
 Use only genuine Walker® replacement parts.



# HYDROSTATIC GROUND DRIVE ASSEMBLIES

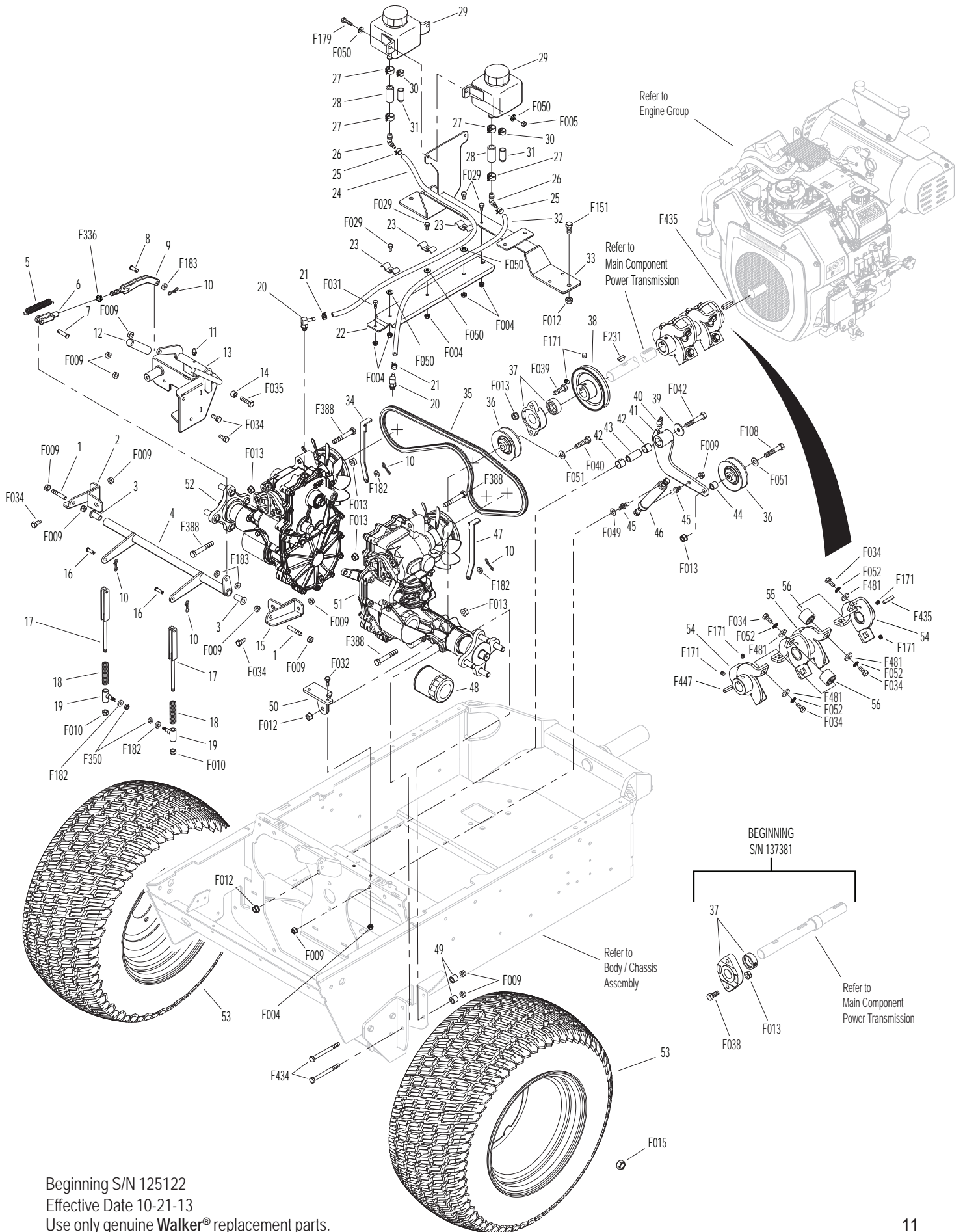
ITEM NO.	PART NO.	DESCRIPTION	NO. REQ'D	ITEM NO.	PART NO.	DESCRIPTION	NO. REQ'D
<b>Parking Brake Assembly</b>				44	6325-3	Spacer Bushing (9/16)	1
1	2358-6	5/16-18 x 1-3/4 Stud	2	45	5146	10mm Ball Stud	2
2	2300-2	Parking Brake Hydro Mount, RH	1	46	2215-6	Pressure Dampener	1
3	5103-2	Pivot Bushing (5/16 ID)	2	47	2028-3	Lockout Rod, LH (S/N 125122 to 126626)	1
4	2406-3	Parking Brake Actuator Tube	1		2028-5	Lockout Arm, LH (S/N 126627 to 142452)	1
5	5222	Extension Spring (1/2 x 3-1/4)	1		2028-7	Lockout Arm, LH (Beginning S/N 142453)	1
6	2280	Clevis (3/8)	1	48	2026-6	Hydro-Gear® Oil Filter (52114)	2
7	2406-4	Clevis Pin (5/16 x 1-1/8)	1	49	9430-1	Spacer Tube	4
8	8655-4	Clevis Pin (5/16 x 3/4)	1	50	2349-13	Idler Mount	1
9	2406-1	Brake Actuator Pull	1	51	2025-13	Hydro-Gear ZT3400, LH	1
10	4407-4	Bow Tie Cotter Pin	5	52	2026-13	Hydro-Gear ZT3400, RH	1
11	5830	Grease Fitting	1	<b>Wheel Assembly</b>			
12	7406-1	Handle Grip, Red	1	53	2071	Wheel & Tire (22 x 10.50-12)	2
13	2406-9	Parking Brake Lever Idler Mount (Includes Items # 11 & 12)	1	<b>PTO Coupler</b>			
14	2406-5	Spacer	1	54	2351-3	Flex Coupler Half (Includes Items # F171 & F435)	2
15	2300-1	Parking Brake Hydro Mount, LH	1	55	2351-7	Inner Flex Coupler Half / MBS (1/4)	1
16	5281-5	Clevis Pin (1/4 x 0.80)	2	56	2351-1	Rubber Coupler	6
17	2406-10	Parking Brake Rod	2	<b>Fasteners</b>			
18	5665-1	Compression Spring (2-1/2)	2	F004		1/4-20 Keps Nut	7
19	5463	Steering Lever Actuator	2	F005		1/4-20 ESNA Nut	2
<b>Transaxle Reservoir Assemblies</b>				F009		5/16-18 Whiz Locknut	15
20	2025-17	Straight Thread Hose Fit	2	F010		5/16-24 ESNA Nut	2
21	5879-4	Hose Clamp (7/16)	2	F012		3/8-16 Keps Nut	4
22	2025-14	Hose Channel	1	F013		3/8-16 Whiz Locknut	7
23	6836-1	Clamp, Double (1/2 x 1/2)	3	F015		1/2-20 Wheel Lug Nut	8
24	5086-14	Hose (1/4 x 26-1/4")	1	F029		1/4-20 x 1/2 Hex Bolt	4
25	5879-3	Hose Clamp (1/2)	2	F031		1/4-20 x 5/8 Hex Bolt	1
26	4025-3	Elbow (1/4 x 1/2)	2	F032		1/4-20 x 3/4 Hex Bolt	2
27	5879-8	Hose Clamp (13/16)	4	F034		5/16-18 x 3/4 Hex Bolt	16
28	5087-1	Hose (1/2 x 1-3/4)	2	F035		5/16-18 x 1-1/4 Hex Bolt	1
29	2025-1	Oil Expansion Reservoir	2	F038		3/8-16 x 1 Hex Bolt	2
30	5879-7	Hose Clamp (5/8)	2	F039		3/8-16 x 1-1/4 Hex Bolt	2
31	2025-8	Reservoir Bottom Caps	2	F040		3/8-16 x 1-1/2 Hex Bolt	1
32	5086-15	Hose (1/4 x 23)	1	F042		3/8-16 x 2-1/4 Hex Bolt	1
33	2025	Reservoir Bottle Mount	1	F049		5/16 SAE Washer	1
<b>Ground Drive Assemblies</b>				F050		1/4 SAE Washer	7
34	2028-4	Lockout Rod, RH (S/N 125122 to 126626)	1	F051		3/8 SAE Washer	2
	2028-6	Lockout Arm, RH (S/N 126627 to 142452)	1	F052		5/16 Ext. Star Lock Washer	12
	2028-8	Lockout Arm, RH (Beginning S/N 142453)	1	F108		3/8-16 x 2 Hex Bolt	1
35	2248-1	Ground Drive Belt / Kevlar	1	F151		3/8-16 x 7/8 Hex Bolt	2
36	4245	Idler Pulley (3/A)	2	F171		5/16-18 x 3/8 Set Screw	6
37	4349-9	Flanged Bearing (1") (S/N 118509 to 137380)	1	F179		1/4-20 x 1 Hex Bolt	2
	4349-12	Flanged Bearing (1") (Beginning S/N 137381)	1	F182		1/4 x 5/8 x 1/8 Washer	4
				F183		.312 x .700 x .074 Washer	3
38	2240-2	Drive Pulley (Includes Item # F171)	1	F231		1/4 x 3/4 Woodruff Key (#806)	1
39	5841	Retainer Washer (3/8 x 1-1/4)	1	F336		3/8-16 Jam Nut	1
40	5830-3	Grease Fitting (45 Deg.)	1	F350		1/4-20 LP Nylock	2
41	2349-14	Transmission Belt Tightener (Includes Items # 40 & 42)	1	F388		3/8-16 x 2-1/2 Hex Bolt	4
				F434		5/16-18 x 3-1/2 Hex Bolt	4
				F435		1/4 x 1/4 x 1-1/4 Key	1
42	7201-3	Fiberglide Bearing	2	F447		1/4 x 1/4 x 1 Key	1
43	7201-4	Inner Race (1-1/2)	1	F481		Washer 5/16 x 7/8 x .125	12

Beginning S/N 125122

Effective Date 10-21-13

Use only genuine Walker® replacement parts.

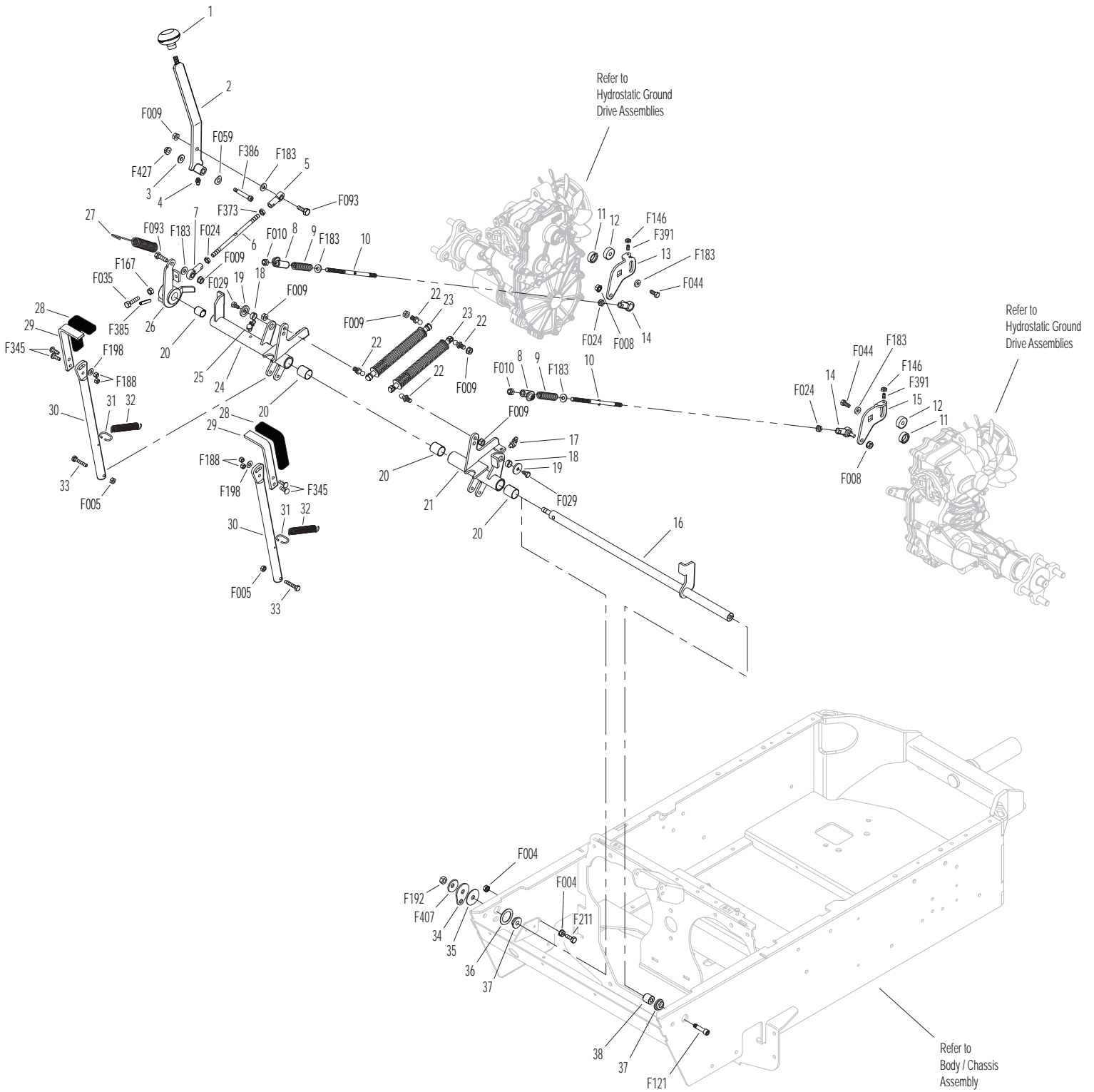
# HYDROSTATIC GROUND DRIVE ASSEMBLIES



# STEERING CONTROL ASSEMBLIES

ITEM NO.	PART NO.	DESCRIPTION	NO. REQ'D	ITEM NO.	PART NO.	DESCRIPTION	NO. REQ'D
<b>Steering Lever &amp; FSC Assemblies</b>				<b>Fasteners</b>			
1	5862	FSC Knob	1	F004		1/4-20 Keps Nut	2
2	4170	FSC Lever Assembly (Includes Item # 4)	*	F005		1/4-20 ESNA Nut	2
3	2170-1	Step Washer	1	F008		5/16-24 Keps Nut	2
4	5830	Grease Fitting	1	F009		5/16-18 Whiz Locknut	6
5	5214-5	Ball Joint (5/16-24/LH) W/O Stud	1	F010		5/16-24 ESNA Nut	2
6	4213	Control Rod (6-1/4)	1	F024		5/16-24 Jam Nut	3
7	5214-4	Ball Joint (5/16-24) W/O Stud	1	F029		1/4-20 x 1/2 Hex Bolt	2
8	5463-2	Steering Lever Actuator	2	F035		5/16-18 x 1-1/4 Hex Bolt	1
9	5665-1	Compression Spring (2-1/2)	2	F044		5/16-24 x 3/4 Hex Bolt	2
10	2213	Control Rod (7")	2	F059		3/8 Wave Spring Washer	1
11	2212-3	Seal Retainer	2	F093		5/16-18 x 1 Hex Bolt	2
12	2212	Transmission Control Arm Stop	2	F121		5/16-18 x 3/8 x 1 SHL Bolt	1
13	2212-2	Transmission Control Arm, RH	1	F146		1/4-20 Jam Nut	2
14	5214-2	Ball Joint (5/16-24) (Nylon Lined)	2	F167		5/16-18 Hex Nut	1
15	2212-1	Transmission Control Arm, LH	1	F183		.312 x .700 x .074 Washer	6
16	2451-1	Steering Pivot Shaft With Stop	1	F188		1/4-20 Self-Locking Nut	4
17	5830-3	Grease Fitting (45 Degree)	1	F192		3/8-24 Self-Locking Nut	1
18	7201-2	Fiberglide Bearing (1/2")	2	F198		.250 x .625 x .040 Washer, SS	2
19	2463	Actuator Washer	2	F211		1/4-20 x 7/8 Hex Bolt	1
20	8201-3	Fiberglide Bearing	4	F345		1/4-20 x .770 Knurled Bolt	4
21	2451-7	Speed Control Actuator, LH (Includes Items # 17 & 20)	1	F373		5/16-24 Hex Nut, LH	1
22	5146	10mm Ball Stud	4	F385		1/4 x 1-1/4 Roll Pin	1
23	4199-2	Steering Lever Dampener Assembly	2	F386		5/16-18 x 1-1/2 x 3/8 Shoulder Bolt	1
24	2451-8	Speed Control Actuator, RH (Includes Items # 20 & 25)	1	F391		1/4-20 x 1/2 Set Screw, SS	2
25	5830-4	Grease Fitting (90 Deg.)	1	F407		Belleville Washer 3/8 x 1.187, SS	1
26	4451-4	FSC Friction Actuator	1	F427		5/16-18 Flange Nut	1
27	4219	Extension Spring (3/4 x 6-1/2)	1	* Service Part Only			
28	5850-2	Handle Grip, Foam (5-1/2)	2				
29	5453-20	Steering Lever Handle (+1") Adjustable / SS (Includes Items # 28, F188, F198 & F345)	2				
30	4452-4	Steering Lever Tube W/Tab	2				
31	5450	D-Clip	2				
32	5222	Extension Spring (1/2 x 3-1/4)	2				
33	4452-6	Steering Pivot (1/4-20 x 1-5/8)	2				
34	4142-1	FSC Cam	1				
35	5141	FSC Friction Washer (1-1/2 x 3/8 x 1/16)	1				
36	4142-2	FSC Friction Washer (1-1/2 x 1-1/32 x 1/16)	1				
37	9704-3	Pivot Rod Bushing, Plastic	2				
38	2451-4	Steering Shaft Spacer	1				

# STEERING CONTROL ASSEMBLIES



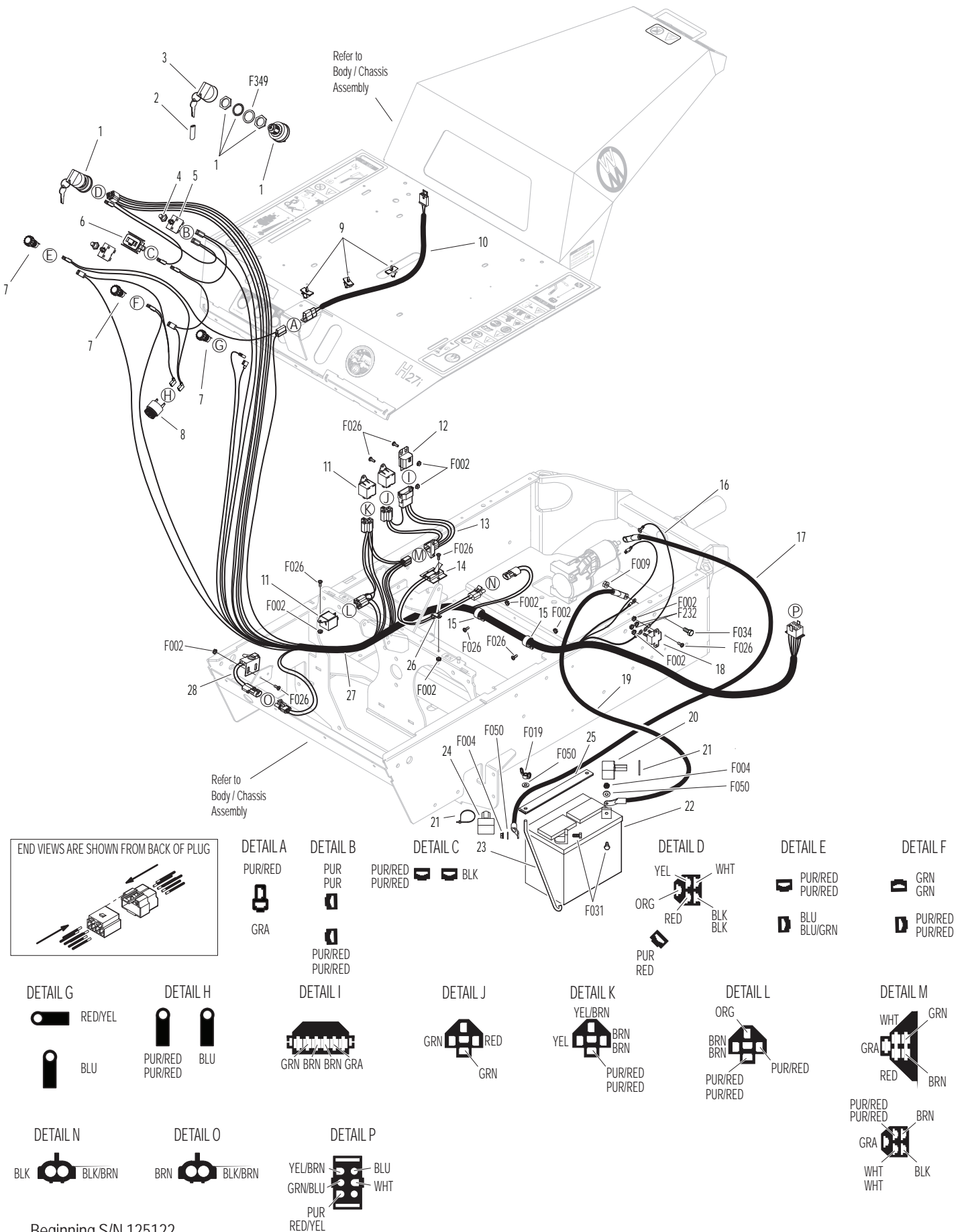
Beginning S/N 125122  
 Effective Date 10-21-13  
 Use only genuine Walker® replacement parts.

# ELECTRICAL ASSEMBLY

ITEM NO.	PART NO.	DESCRIPTION	NO. REQ'D	ITEM NO.	PART NO.	DESCRIPTION	NO. REQ'D
<b>Electrical Assembly</b>				21	5975-1	Cable Tie (18# x 3-3/4")	2
1	8960-15	Ignition Switch W/Keys (Includes Items # 2, 3 & F349)	1	22	NS	Battery (12V/340CCA/Dry)	1
2	7854	Plastic Tip, Red	1	23	5839	Hook Bolt	2
3	8960-3	Key Set W/Umbrella	1	24	5933	Battery Terminal Insl., Red (+)	1
4	7941-3	Boot, Circuit Breaker	1	25	5844	Battery Hold-Down Bar	1
5	7941-7	Circuit Breaker (20 Amp)	1	26	5833	Cable Clamp (1/4)	1
6	8990-1	Hourmeter (Global)	1	27	2940-13	Wire Harness, MH	1
7	8996-9	Red Indicator Light Assembly	3	28	5942-4	PTO Safety Switch (NO)	1
8	8536-2	Warning Horn Assembly	1	<b>Fasteners</b>			
9	6105-3	Harness Clip	3		F002	10-24 Keps Nut	13
10	2940-4	Seat Switch Harness	1		F004	1/4-20 Keps Nut	2
11	6942	Relay Switch 20/40 Amp (NC)	3		F009	5/16-18 Whiz Locknut	1
12	7948-6	Time Delay Module (.5 Second Delay)	1		F019	1/4-20 ESNA Wing Nut	2
13	7948-5	Time Delay Harness	1		F026	10-24 x 1/2 PPHMS	13
14	5941-2	Safety Switch (NO)	1		F031	1/4-20 x 5/8 Hex Bolt	2
15	7833-2	Cable Clamp (1 x 1/4)	2		F034	5/16-18 x 3/4 Hex Bolt	1
16	7938	Lead Wire, Battery Charge (Alternator to Starter)	1		F050	1/4 SAE Washer	4
17	2940-2	Battery Cable (22")	1		F232	10-32 Keps Nut	2
18	8941	Circuit Breaker (30 Amp) (Auto Reset/Sealed)	1		F349	Washer .835 ID 1.122 OD, SS	1
19	2940-3	Battery Cable (14")	1	* Service Part Only			
20	5932	Battery Terminal Insl., Blk (-)	1				



# ELECTRICAL ASSEMBLY



END VIEWS ARE SHOWN FROM BACK OF PLUG

DETAIL A  
PUR/RED  
GRA

DETAIL B  
PUR  
PUR  
PUR/RED  
PUR/RED

DETAIL C  
BLK  
BLK

DETAIL D  
YEL  
WHT  
ORG  
RED  
BLK  
BLK  
PUR  
RED

DETAIL E  
PUR/RED  
PUR/RED  
BLU  
BLU/GRN

DETAIL F  
GRN  
GRN  
PUR/RED  
PUR/RED

DETAIL G  
RED/YEL  
BLU

DETAIL H  
PUR/RED  
PUR/RED  
BLU

DETAIL I  
GRN  
BRN  
BRN  
GRA

DETAIL J  
GRN  
RED  
GRN

DETAIL K  
YEL/BRN  
YEL  
BRN  
BRN  
PUR/RED  
PUR/RED

DETAIL L  
ORG  
BRN  
BRN  
PUR/RED  
PUR/RED

DETAIL M  
WHT  
GRN  
GRA  
RED  
BRN

DETAIL N  
BLK  
BLK/BRN

DETAIL O  
BRN  
BLK/BRN

DETAIL P  
YEL/BRN  
GRN/BLU  
BLU  
WHT  
PUR  
RED/YEL

PUR/RED  
PUR/RED  
GRA  
WHT  
WHT  
BLK

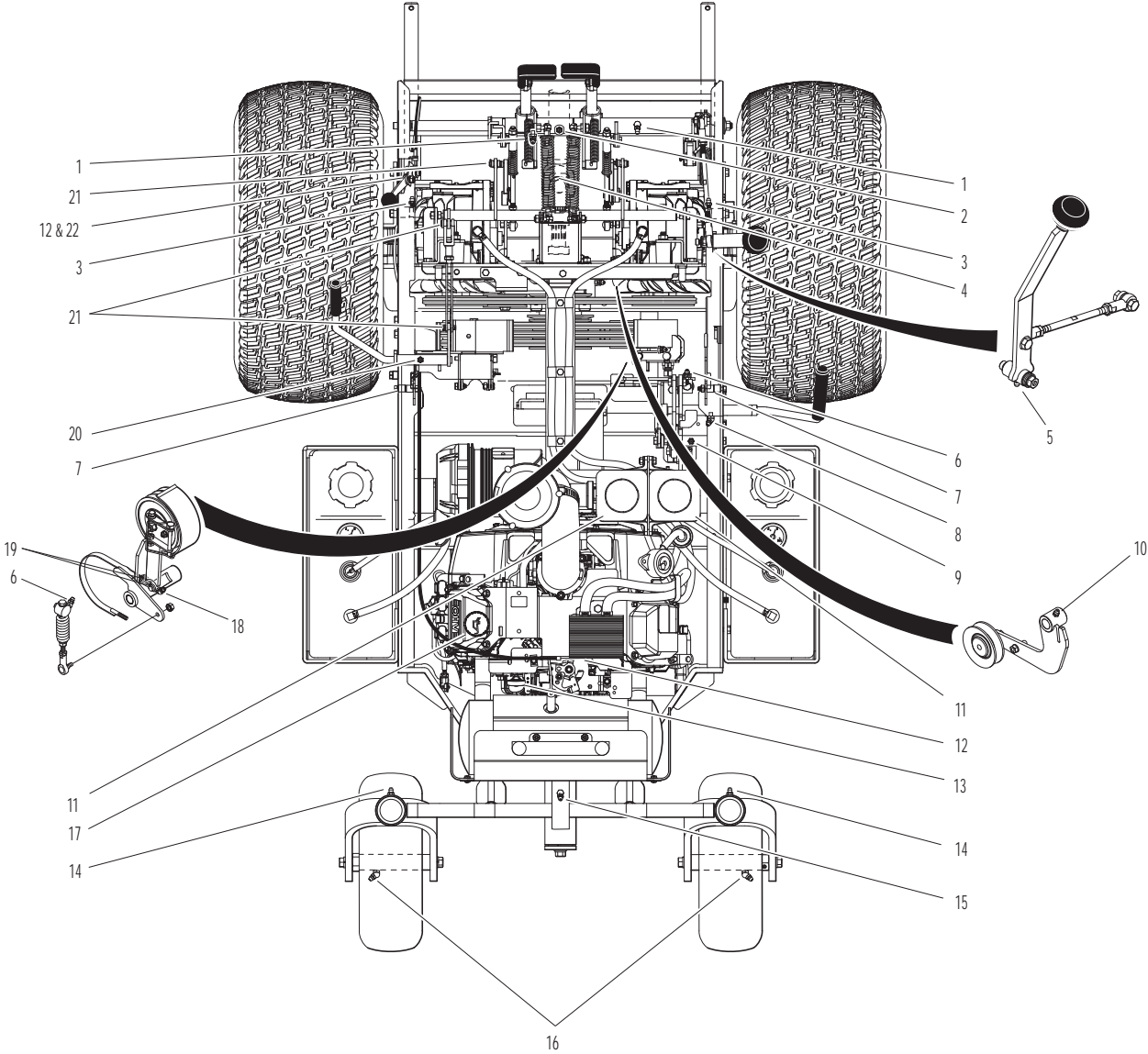
Beginning S/N 125122  
Effective Date 10-21-13  
Use only genuine Walker® replacement parts.

# LUBRICATION POINTS

ITEM NO.	LOCATION	LUBRICATION TYPE	NO. PLACES	ITEM NO.	LOCATION	LUBRICATION TYPE	NO. PLACES
<b>Lubrication Points</b>							
1	Steering Lever Pivot	Grease	2	15	Rear Axle Pivot	Grease	1
2	Deck-to-PTO Coupling (Grease Spline Slide Area)	Grease	1	16	Rear Wheel Bearing	Grease	2
3	Deck Support Arm Pivot	Grease	2	17	Engine / Oil Filler	Oil**	1
4	Universal Joint Tube Assembly	Grease*	1	18	PTO Belt Tightener Pivot	Grease	1
5	FSC Lever Pivot	Grease	1	19	Brake Band Pivot Pins (Clevis)	Oil	2
6	Clutch Actuator Push Rod	Grease	1	20	Parking Brake Pivot	Grease	1
7	Body Latch Pivot	Oil	2	21	Parking Brake Clevis	Oil	3
8	PTO Clutch Lever Pivot	Grease	1	22	Throttle Control Pivot	Oil	1
9	Clutch Arm Pivot	Grease	1	* Grease every 25 hours.			
10	Hydro Idler Arm Pivot	Grease	1	** Refer to H27i <b>Operator's Manual</b> for procedure for checking and changing oil in Engine Crankcase.			
11	Transaxle Oil Reservoir	Oil	2	<b>NOTE:</b> See Model H27i <b>Operator's Manual</b> (P/N 2000-10) for proper lubrication intervals.			
12	Throttle Control Cable Ends	Oil	2				
13	Engine Dipstick	Oil**	1				
14	Tail Wheel Caster Fork Pivot	Grease	2				

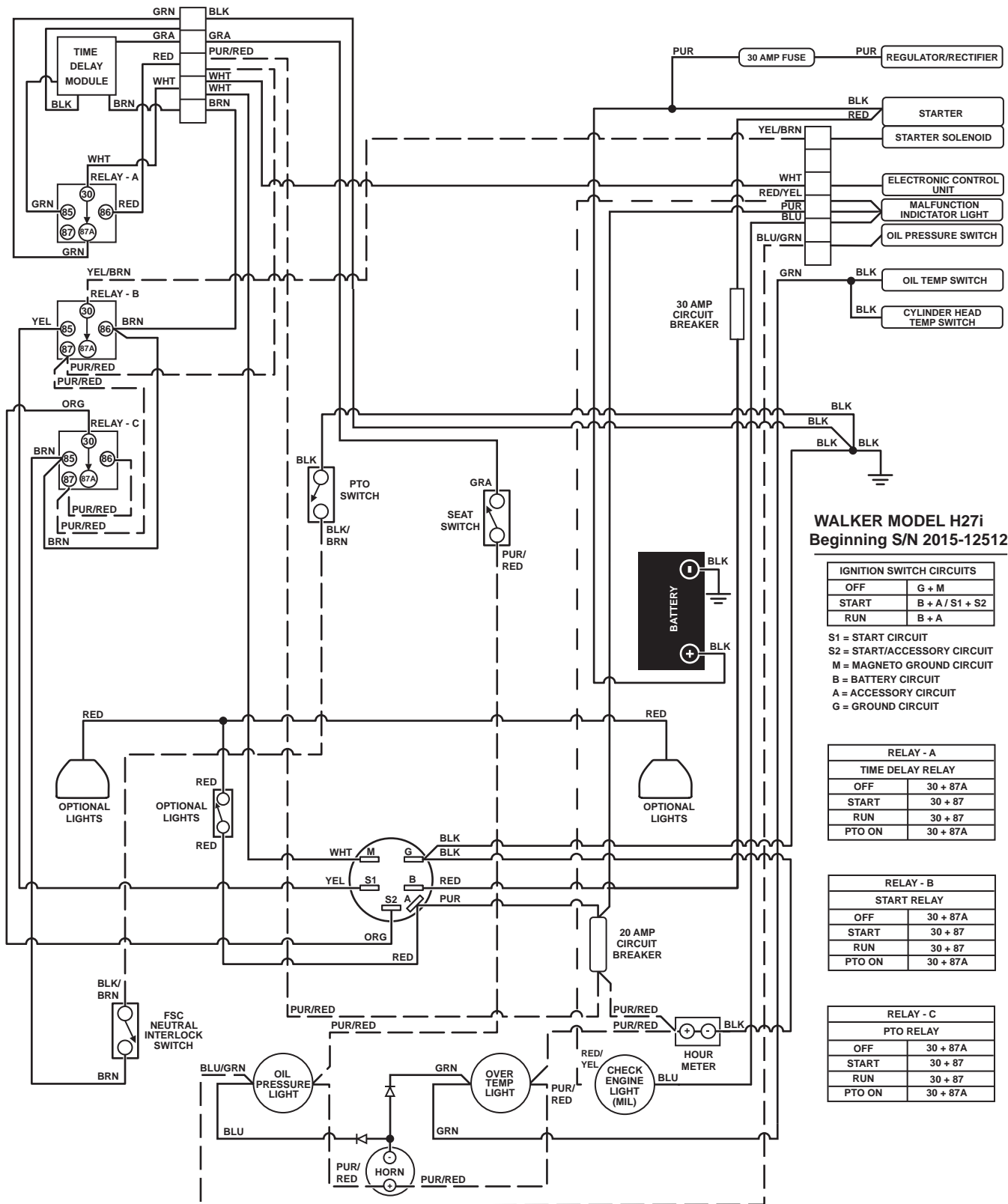


# LUBRICATION POINTS



Beginning S/N 125122  
Effective Date 10-21-13  
Use only genuine Walker® replacement parts.

# WIRING SCHEMATIC







## **LIMITED WARRANTY FOR WALKER MODEL H27i RIDER MOWER**

### **1. WHAT THIS WARRANTY COVERS, AND FOR HOW LONG:**

Walker Manufacturing company will, at its option, repair or replace, without charge, any part covered by this warranty which is found to be defective in material and/or workmanship within one (1) year\* after date of sale to the original retail purchaser unless the product is used for rental purposes, in which case this warranty is limited to ninety (90) days. At Walker's request, customer will make the defective part available for inspection by Walker and/or return the defective part to Walker, transportation charges prepaid. All parts and components of the Walker Mower are covered by this warranty **except** the following components which are warranted separately by their respective manufacturers:

Kohler Engine  
Battery

The available warranties covering these items are furnished with each mower. Walker does not assume any warranty obligation, liability or modification for these items, which are covered exclusively by the stated warranty of the respective manufacturers noted above.

\* A three (3) year or 3000 hour (whichever comes first) warranty is offered for Hydro-Gear ZT3400 hydrostatic transmissions; covers full cost of replacement up to 1000 hours of use, and after 1000 hours warranty coverage is prorated against 3000 hours.

### **2. WHAT THIS WARRANTY DOES NOT COVER:**

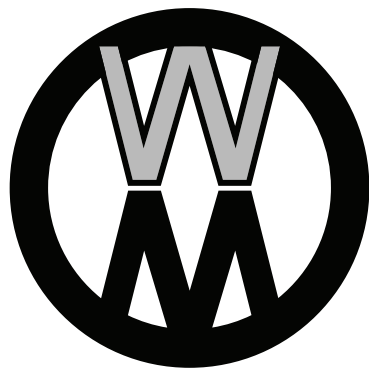
- A. This warranty does not cover defects caused by depreciation or damage caused by normal wear, accidents, improper maintenance, improper use or abuse of the product, alterations, or failure to follow the instructions contained in the Operator's Manual for operation and maintenance.
- B. The customer shall pay any charges for making service calls and/or for transporting the mower to and from the place where the inspection and/or warranty work is performed.

### **3. HOW TO OBTAIN SERVICE UNDER THIS WARRANTY:**

Warranty service can be arranged by contacting the dealer where you purchased the mower or by contacting Walker Manufacturing Company, 5925 East Harmony Road, Ft. Collins, CO 80528. Proof of the date of purchase may be required to verify warranty coverage.

### **4. WARRANTY LIMITATION:**

- A. **THERE IS NO OTHER EXPRESS WARRANTY. ANY WARRANTY THAT MAY BE IMPLIED FROM THIS PURCHASE INCLUDING MERCHANTABILITY AND FITNESS FOR A PARTICULAR PURPOSE IS HEREBY LIMITED TO THE DURATION OF THIS WARRANTY AND TO THE EXTENT PERMITTED BY LAW ANY AND ALL IMPLIED WARRANTIES ARE EXCLUDED.** Some states do not allow limitations on how long an implied warranty lasts, so the above limitations may not apply to you.
- B. **WALKER WILL NOT BE LIABLE FOR ANY INCIDENTAL, CONSEQUENTIAL, OR SPECIAL DAMAGES AND/OR EXPENSES IN CONNECTION WITH THE PURCHASE OR USE OF THE MOWER.** Some states do not allow the exclusion or limitation of incidental or consequential damages, so the above limitation(s) or exclusion(s) may not apply to you.
- C. Only the warranty expressed in this limited warranty shall apply and no dealer, distributor, or individual is authorized to amend, modify, or extend this warranty in any way. Accordingly, additional statements such as dealer advertising or presentations, whether oral or written, do not constitute warranties by Walker, and should not be relied upon.
- D. This warranty gives you specific legal rights, and you may also have other rights which vary from state to state.



**WALKER**

**WALKER MFG. CO. • 5925 E. HARMONY ROAD, FORT COLLINS, CO 80528 • (970) 221-5614**  
**FORM NO. 010917      PRINTED IN USA      [www.walkermowers.com](http://www.walkermowers.com)      ©2017 WALKER MFG. CO**