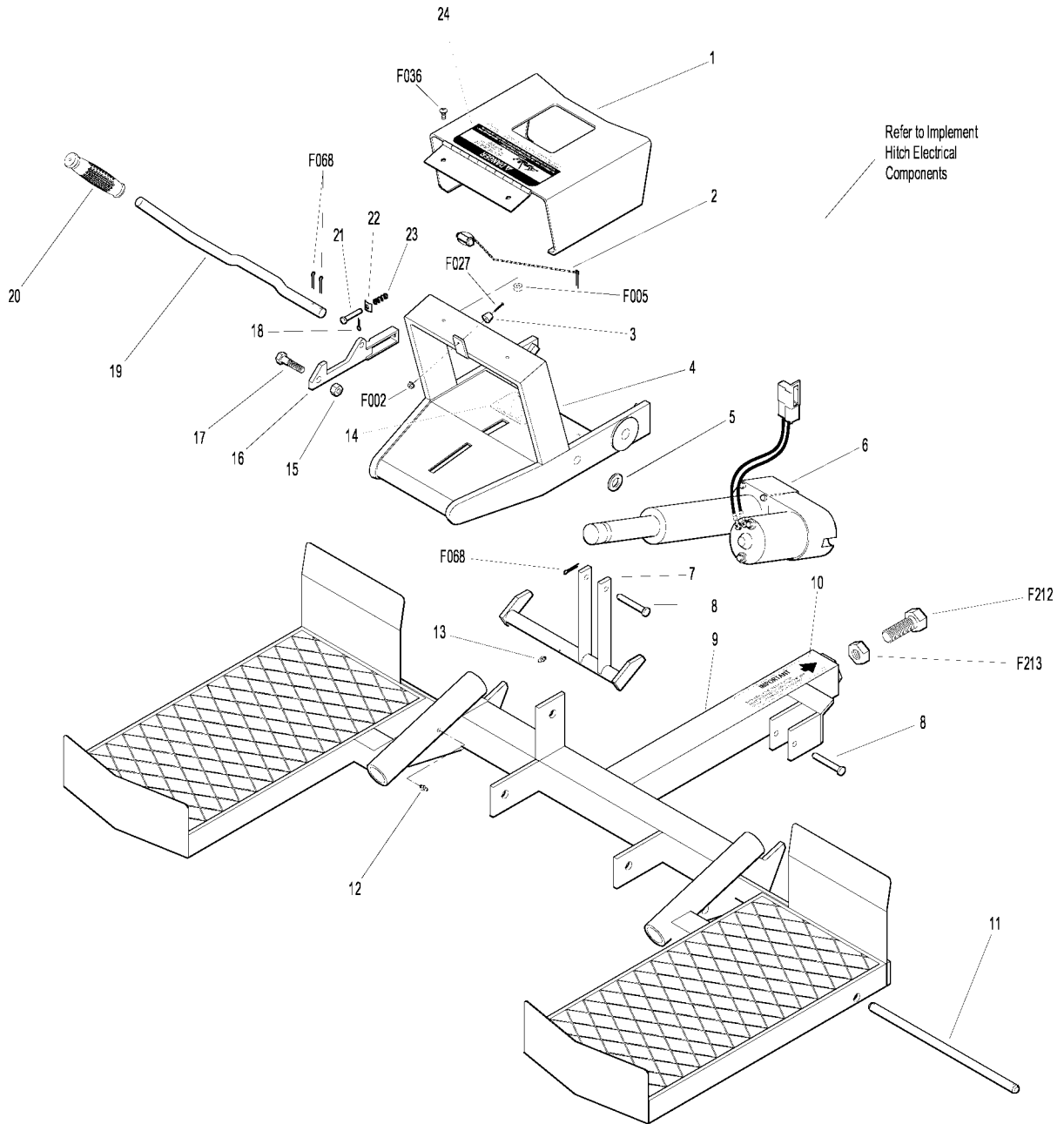


IMPLEMENT HITCH ASSEMBLY

ITEM NO.	PART NO.	DESCRIPTION	NO. REQ'D	ITEM NO.	PART NO.	DESCRIPTION	NO. REQ'D
Implement Hitch				23	I008	Spring (1/4 x 1)	1
1	6627	PTO Shield	1	24	7822	Decal, PTO Shield	1
2	I392	Safety Chain Assembly	1	Fasteners			
	I015	Chain	1		F002	10-24 Keps Nut	1
	O/L	5/16 Linchpin	1		F005	1/4-20 ESNA Nut	2
	O/L	5/32 x 1 Cotter Pin	1		F027	10-24 x 5/8 PPHMS	1
3	5588	Rubber Bumper	1		F036	1/4-20 x 1/2 SBH Screw	2
4	I001	Quick Hitch	1		F068	1/8 x 1 Cotter Pin	6
	6625-1	Hitch Assembly, Male	1		F212	3/4-10 x 2 Hex Bolt	1
5	O/L	9/16 ID Flat Washer	1		F213	3/14-10 Nut	1
6	6621	Linear Actuator (11-3/4)	1	NOTE: Decals are illustrated in greater detail in the Owner's section of this manual. Refer to SAFETY, CONTROL, AND INSTRUCTION DECALS in Safety Instructions , Page 17.			
7	6630	Hitch Lift Crank	1	NOTE: All NS items are listed with a RAD Part Number (e.g., RAD 657383), and are not sold by Walker Manufacturing. To order these items, contact:			
8	6621-1	Clevis Pin (1/2 x 2)	2				
9	6624	Mounting Frame Assembly, Hitch	1				
10	6618	Decal, Hitch Mount Adjust	1				
11	6626	Pivot Shaft	1				
12	5830-3	Grease Fitting (45 Degree)	2				
13	5830	Grease Fitting	1				
14	I393	Decal, Attaching Hitch	1				
15	O/L	3/8-NC Nylon Locknut	1				
16	I002	Quick Hitch Latch	1				
17	O/L	3/8-NC x 1-1/2 Hex Bolt	1				
18	O/L	3/32 x 3/4 Cotter Pin	1				
19	I009	Attaching Lever	1				
20	7860	Handle Grip	1				
21	I005	1/4 x 1-11/16 Pin	1				
22	NS	Spring Plate (RAD 657383)	1				

IMPLEMENT HITCH ASSEMBLY



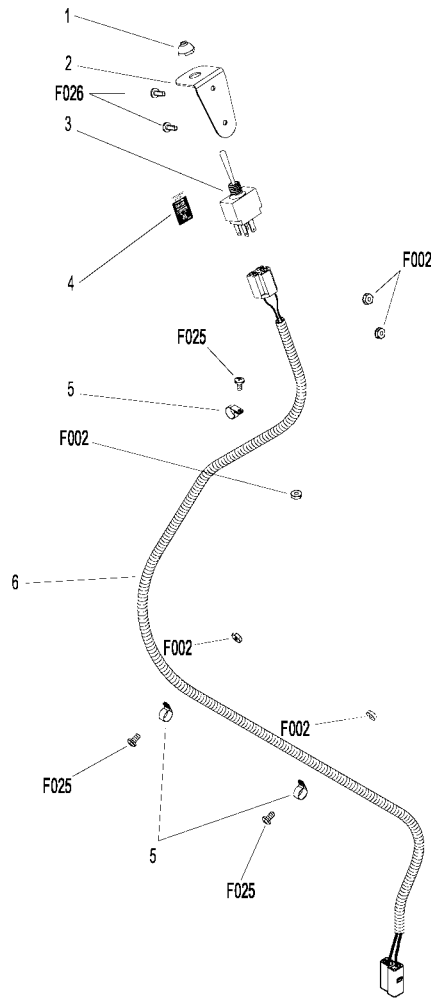
IMPLEMENT HITCH ELECTRICAL COMPONENTS

ITEM NO.	PART NO.	DESCRIPTION	NO. REQ'D	ITEM NO.	PART NO.	DESCRIPTION	NO. REQ'D
Implement Hitch Electrical Components				Fasteners			
1	6623-1	Switch Boot (Fits P/N 6623)	1		F002	10-24 Keps Nut	5
2	6628	Switch Mount Bracket	1		F025	10-24 x 3/8 PPHMS	3
3	6623	Lift Control Switch	1		F026	10-24 x 1/2 PPHMS	2
4	6632	Decal, Implement Hitch	1				
5	5832	Cable Clamp (1/2)	3	*		Service Part Only	
6	6622	Wiring Harness, Actuator	1				
	6631	Implement Hitch Electrical Package	*				

NOTE: Decals are illustrated in greater detail in the Owner's section of this manual. Refer to **SAFETY, CONTROL, AND INSTRUCTION DECALS** in **Safety Instructions**, Page 17.

NOTE: All NS items are listed with a RAD Part Number (e.g., RAD 657383), and are not sold by Walker Manufacturing. To order these items, contact:

IMPLEMENT HITCH ELECTRICAL COMPONENTS



Refer to
Implement Hitch Assembly

KEY TO ABBREVIATIONS USED IN ILLUSTRATED PARTS MANUAL

<i>Abbreviation</i>	<i>What it Represents</i>
° (Dimension)	Degrees (Angle)
" (Dimension)	inches
cfm	cubic feet per minute
cl	centiliters
cm	centimeters
Db	Decibels
DC	Direct Current
ESNA (Fastener)	Nylon Insert Locknut
fl. oz.	fluid ounces
FSC	Forward Speed Control
ft	feet
ft-lb	foot-pounds
GHS	Grass Handling System
GR (Fastener)	Grade
HP	Horse Power
ID	Identification or Inside Diameter
kg	kilograms
km/h or kph	kilometers per hour
kPa	kilopascals
lb	pounds
lbf	poundals or pounds force
LH	Left Hand (orientated with operator on seat)
m	meters
mm (Dimension)	millimeters
mph	miles per hour
N	Newtons
NC (Fastener)	National Coarse
NF (Fastener)	National Fine
NPT	National Pipe Thread
NS (as part number)	Item is not sold by Walker Manufacturing
N·m	Newton-meters
O/L	Obtain Locally (Item is not sold by Walker Manufacturing)
P/N	Part Number
PPHMS (Fastener)	Phillips Pan Head Machine Screw
PSI	Pounds Square Inch
PTO	Power Take-Off
RH	Right Hand (orientated with operator on seat)
RPM	revolutions per minute
SAE (Fastener)	Society of Automotive Engineers
SBH (Fastener)	Socket Button Head (Bolt)
S/N	Serial Number
U	Unified

NOTE: In some instances, combinations of abbreviations may be used (e.g. UNC - Unified National Coarse).