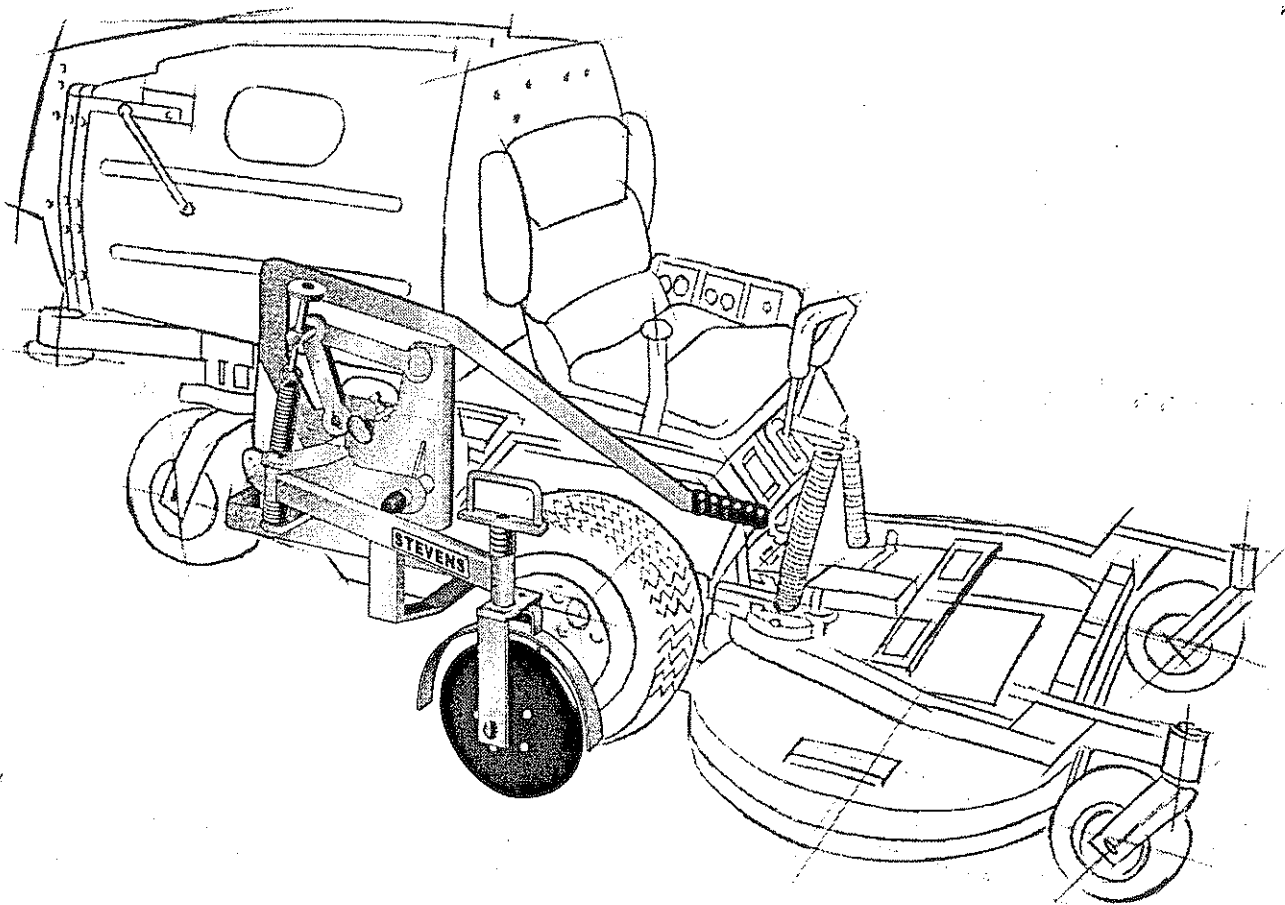


# STEVENS<sup>TM</sup>

## EDGER

PAT. PENDING



# FITTING, OPERATION AND PARTS IDENTIFICATION MANUAL

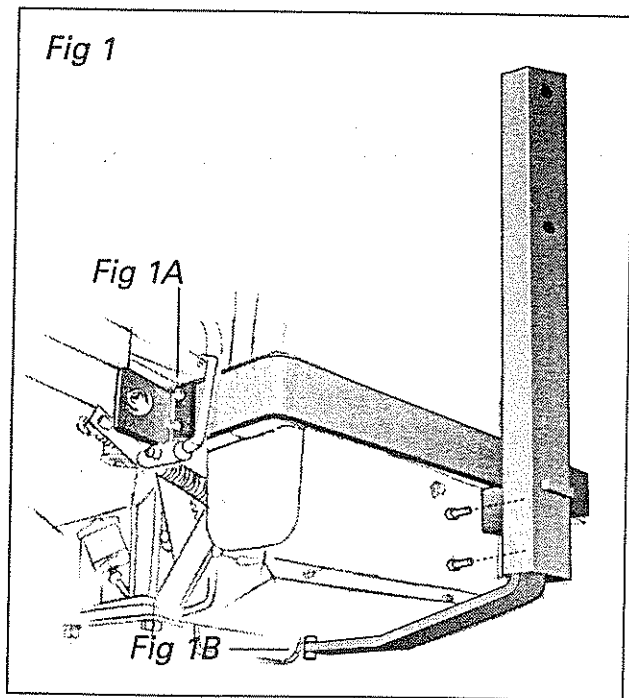
Stevens Products; 16 Andrew Baxter Drive, Mangere, Auckland, New Zealand. Phone: 0-9-275 0443

# INSTALLING AND OPERATING 1 YOUR STEVENS EDGER

## Fitting Bracket to Tractor

To fit the edger mounting bracket to a Model MDD or MT Walker tractor, proceed as follows:

- 1 Take the mounting bracket and assemble as shown. (Fig 1)
- 2 Prepare tractor to accept bracket. (Job will be made much easier if tractor can be safely put up on work stand or back of truck) Raise seat and rear body shell and disconnect battery terminal.
- 3 If fitted remove ground drive idler release handle assembly from tractor. (Fig 1A) Cut protruding  $\frac{1}{4}$ " UNC bolts off flush with outside face of chassis. Remove one engine mounting bolt. (Fig 1B)
- 4 Offer bracket up to chassis and clamp in position.



- 5 Secure bottom bracket to engine mounting using new bolt and spacer provided.  
(1 x spacer, 1 x bolt  $\frac{7}{16}$ " UNC, 1 x  $2\frac{1}{4}$ " C/W spring washer, flatwasher and nut)
- 6 Ensure bracket is square and plumb on tractor. Centre punch and drill 2 fixing holes in tractor chassis using  $\frac{15}{32}$ " drill. Secure bracket using fixings provided.
- 7 Bolt ground drive idler release handle assembly to bracket using fixings provided.
- 8 Reconnect battery and ready tractor for use.

## Assembly of Cutter Head to Edger

Take care when handling as cutter disc is very sharp!!

- 1 Remove bolt retaining handle.
- 2 Remove one large flat washer and spring, leaving one large flat washer on shaft.
- 3 Slide cutter assembly into swing arm boss.
- 4 Place spring, then flat washer over shaft then bolt handle back on and tighten.

# Mounting Edger Machine on Tractor

Raise catcher. (If GHS system fitted)

Pickup edger machine with the right hand on cutter disc assembly handle and left hand on operating handle.

Slide machine part way down mounting post on tractor then shift left hand to handle grip on operating arm and carefully raise arm.

Now allow machine to slide right down mounting post.

Retain with pin and 'R' clip.

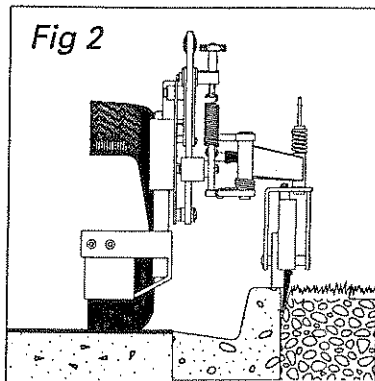
## Operating Instructions

Always beware of sharp cutter edge!!

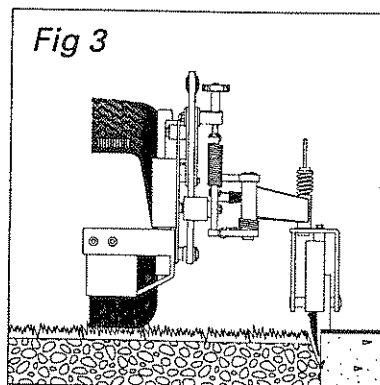
Edger must have a hard edge such a concrete, in good condition to cut against.

Study *Figs. 2, 3, 4* and observe the following:

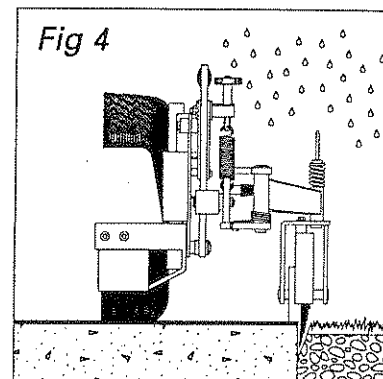
- a) Cutting edge must always be against the concrete.
  - b) When curb is higher than the surface you are driving on you may need to raise the edger on the mounting post. (*Fig. 2*)
- 1 Drive to edge to be trimmed and stop in such a position as to ensure cutter disc is just over the grass. Lower operating arm all the way creating tension on the tension spring.
  - 2 Drive forward slowly and the cutter disc will find its way to the edge and follow it automatically.
  - 3 At the end of strip to be cut raise handle fully and cutter will lift clear of ground and lock in transport position.



*Trim along curb from road*



*along path or curb from grass*



*or along path from path*

## Adjustments

Adjustments are set at the factory to give best results in average conditions, however you can adjust them to suit your conditions as follows:

- 1 If more downward pressure is needed on the cutter increase tension on spring by turning hand nut clockwise. Too much tension may cause skidding of drive tyre and hence excessive tyre wear. More weight can be put on drive tyre by hooking up mower deck.
- 2 If going is always easy tension can be decreased and therefore the operating arm becomes easier to operate. Tension is decreased by turning hand nut anticlockwise.
- 3 If the going is easy the amount of shearing action on the concrete can be decreased to reduce blade wear. This is done by shifting spacers. (*Fig 6 items 71,72*) To decrease shearing action rearrange spacers to shift cutter more directly under axis of fork pivot shaft. Conversely shearing action can be increased by moving the cutter away from the axis of the pivot shaft.

## HINTS

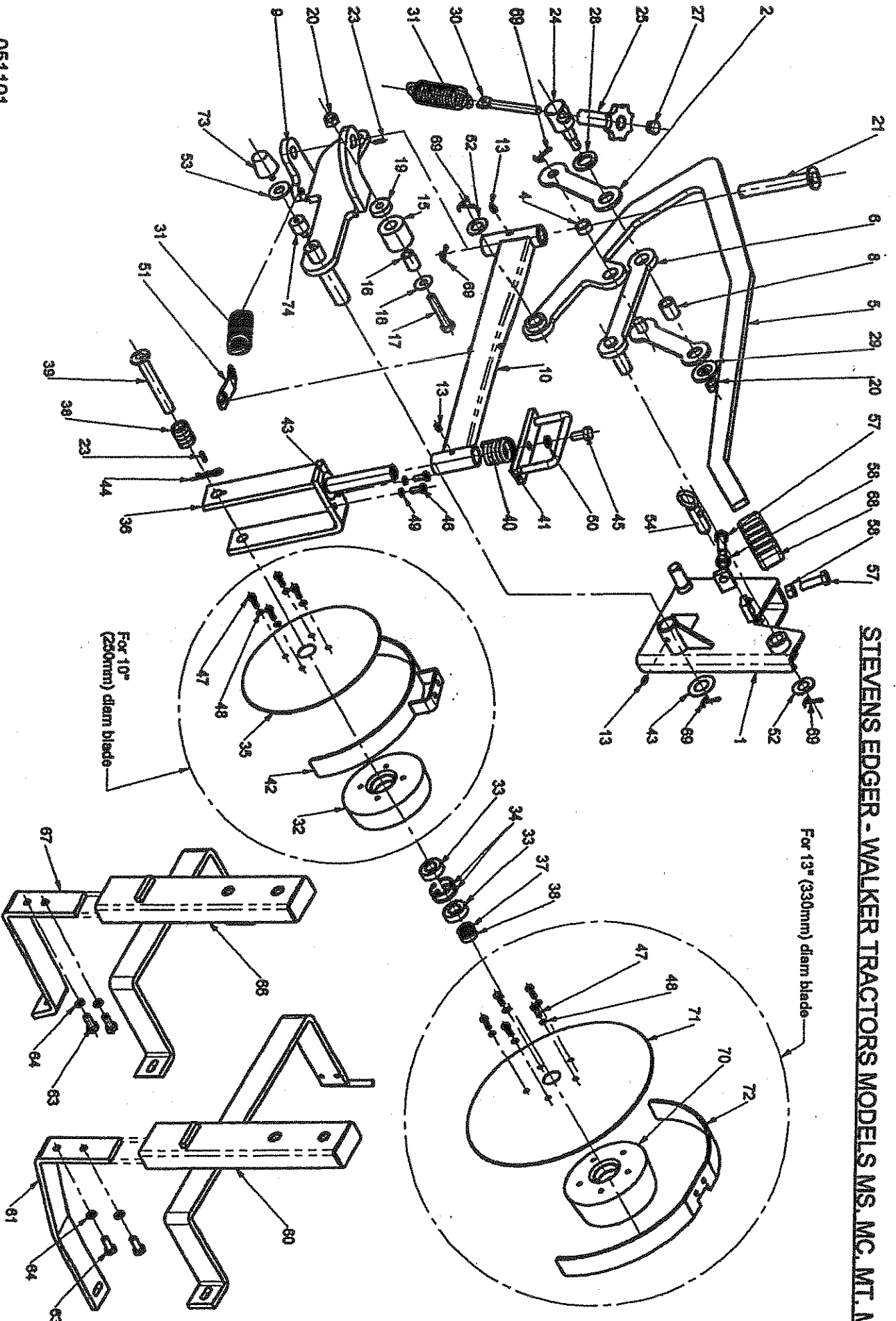
### Hints for Best Results

- 1 Where possible always drive on hard surface.
- 2 Trimming is easier to do after rain or irrigation.
- 3 If conditions are very difficult hooking up mower deck will assist.

### Sharpening Cutter Disc

If required the cutter disc can be sharpened easily in minutes on the machine with an electric disc grinder. The friction from the grinding disk will revolve the cutter disc which can be slowed with your finger on the face of the disc. Be very careful of sharp edge. Wear stout protective gloves and safety glasses.

**STEVENS EDGER - WALKER TRACTORS MODELS MS, MC, MT, MD**



051101

MODEL MS

MODELS MC, MT, MD

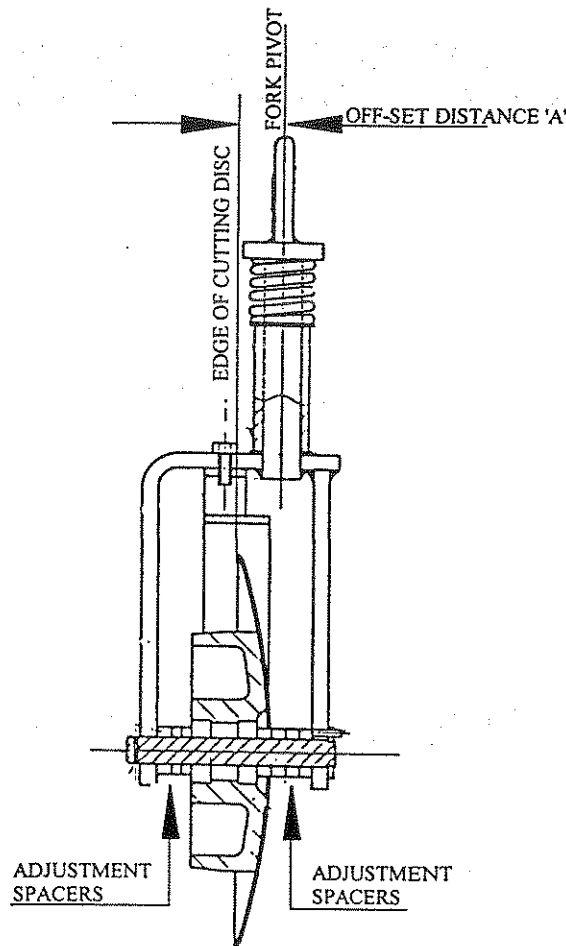
STEVENS EDGER - WALKER TRACTORS MODELS MS, MC, MT, MD

Item no	Part no	Description	No req'd
1	808	Main Frame	1
2	817	Double link	2
4	813	Bush	1
5	812	Operating arm	1
6	818	Single link	1
8	819	Bush	1
9	826	Quadrant arm	1
10	830	Swing arm	1
13	058	1/4" UNF Straight grease nipple	3
15	827	Cam follower	1
16	828	Bush	1
17	SF064	Hex hd bolt M12 x 70 lg	1
18	SF050	Flat washer - M12 - Light flat	1
19	829	Spacer	1
20	SF051	Nut - M12 Nylock	2
21	831	Pivot pin	1
23	834	Tension pin	2
24	820	Swivel	1
25	824	Hand nut assy	1
27	825	Plug - Black plastic	1
28	821	Thrust washer	1
29	822	Special washer	1
30	823	Eye bolt	1
31	825-1	Tension spring	2
32	843	Hub	1
33	013	Bearing	2
34	034	Internal circlip	2
35	844	Blade 250diam	1
36	835	Fork	1
37	839	Spacer 9mm wide	2
38	840	Spacer 5mm wide	5
39	838	Axle	1
40	848	Compression spring	1
41	847	Handle	1
42	836	Guard (250mm diam blade)	1
43	SF034	Flat washer 1"	2
44	181	R clip	1
45	SF061	Bolt-M12 x 25	1
46	SF006	Bolt - M8 x 20	2
47	SF029	Hex hd bolt -1/4" Inch UNC x 3/4" lg	9
48	SF012	Washer - M6 spring	9
49	SF008	Washer - M8 spring	2
50	SF049	Spring washer - M12	1
51	851	Retainer	1
52	SF074	Flat washer - M20 - Light flat	2
53	SF059	Flat washer M16 - Flat	1
54	809-1	Locating pin	1
57	SF060	Hex hd bolt M12 x 40 lg	2
58	SF062	Nut - M12	2
60	801	Assembly mounting brkt (MC,MT,MD only)	1
61	802	Brace-lower mtg brkt	1
63	SF033	Hex hd bolt 7-16 UNC x 1 inch	4
64	SF052	Spring washer - 7/16"	
66	803	Assy mounting brkt (MS only)	1
67	804	Brace - lower mtg brkt	1
68	044	Handle grip	
69	816	Split pin	5
70	842	Hub	1
71	845	Blade 330diam	1
72	837	Guard (330diam blade)	1
73	W5845	Rubber buffer	1
74	841	Spacer (Wide wheel only)	1

**STEVENS EDGER - WALKER TRACTORS MODELS MS, MC, MT, MD**

Item no	Part no	Description	No req'd
1	808	Main Frame	1
2	817	Double link	2
4	813	Bush	1
5	812	Operating arm	1
6	818	Single link	1
8	819	Bush	1
9	826	Quadrant arm	1
10	830	Swing arm	1
13	058	1/4" UNF Straight grease nipple	3
15	827	Cam follower	1
16	828	Bush	1
17	SF064	Hex hd bolt M12 x 70 lg	1
18	SF050	Flat washer - M12 - Light flat	1
19	829	Spacer	1
20	SF051	Nut - M12 Nylock	2
21	831	Pivot pin	1
23	834	Tension pin	2
24	820	Swivel	1
25	824	Hand nut assy	1
27	825	Plug - Black plastic	1
28	821	Thrust washer	1
29	822	Special washer	1
30	823	Eye bolt	1
31	825-1	Tension spring	2
32	843	Hub	1
33	013	Bearing	2
34	034	Internal circlip	2
35	844	Blade 250diam	1
36	835	Fork	1
37	839	Spacer 9mm wide	2
38	840	Spacer 5mm wide	5
39	838	Axle	1
40	848	Compression spring	1
41	847	Handle	1
42	836	Guard (250mm diam blade)	1
43	SF034	Flat washer 1"	2
44	181	R clip	1
45	SF061	Bolt-M12 x 25	1
46	SF006	Bolt - M8 x 20	2
47	SF029	Hex hd bolt -1/4" Inch UNC x 3/4" lg	9
48	SF012	Washer - M8 spring	9
49	SF008	Washer - M8 spring	2
50	SF049	Spring washer - M12	1
51	851	Retainer	1
52	SF074	Flat washer - M20 - Light flat	2
53	SF059	Flat washer M16 - Flat	1
54	809-1	Locating pin	1
57	SF060	Hex hd bolt M12 x 40 lg	2
58	SF062	Nut - M12	2
60	801	Assembly mounting brkt (MC,MT,MD only)	1
61	802	Brace-lower mtg brkt	1
63	SF033	Hex hd bolt 7-16 UNC x 1 inch	4
64	SF052	Spring washer - 7/16"	1
66	803	Assy mounting brkt (MS only)	1
67	804	Brace - lower mtg brkt	1
68	044	Handle grip	5
69	816	Split pin	1
70	842	Hub	1
71	845	Blade 330diam	1
72	837	Guard (330diam blade)	1
73	W5845	Rubber buffer	1
74	841	Spacer (Wide wheel only)	1

## IMPORTANT



The OFF-SET DISTANCE 'A' can be varied to suit cutting conditions

**Correct adjustment is important and makes a huge difference to performance.**

Begin with a distance of approx. 3/8" or 10mm between edge of cutting disc and fork pivot axis.

If cutter tries to wander away from the edge being trimmed shift spacers to increase OFF-SET DISTANCE 'A'.

If cutter tries to bite hard on the concrete edge and climb up over the concrete or cause the drive wheel to spin decrease OFF-SET DISTANCE 'A'.

Once correct cutting **action** is achieved then spring tension may be adjusted on hand wheel to use least tension that will do the job.

Correct adjustments decrease bladewear, increase speed and decrease tyre wear.