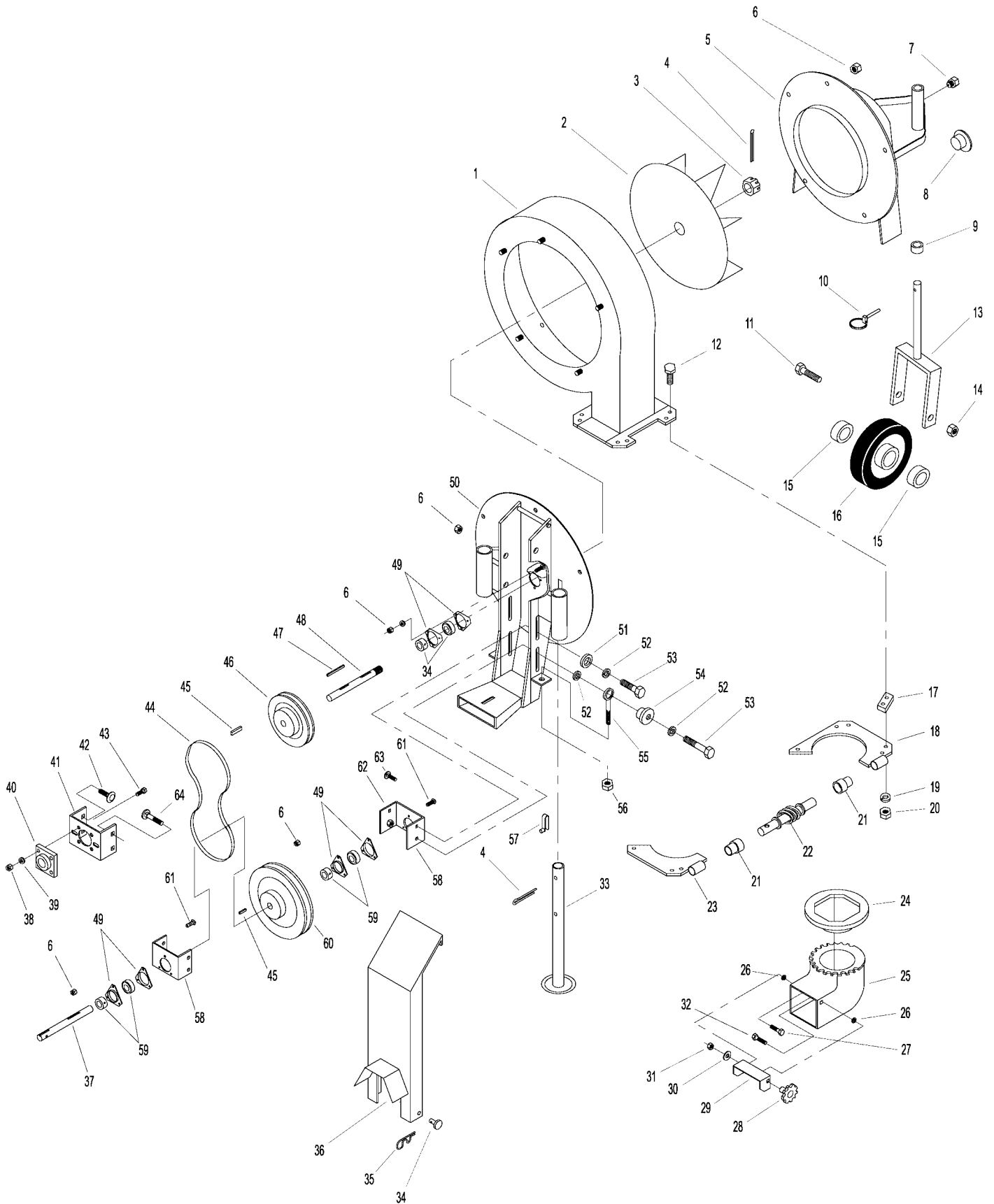


DEBRIS BLOWER COMPONENTS

ITEM NO.	PART NO.	DESCRIPTION	NO. REQ'D	ITEM NO.	PART NO.	DESCRIPTION	NO. REQ'D
Debris Blower Components				40	I452	Bearing	1
1	I402	Impeller Housing	1	41	NS	Upper Bearing Support (RAD 662713)	1
2	NS	Impeller (RAD 662644)	1	42	O/L	5/16-NC x 1 Carriage Bolt	2
3	NS	1-14 Castel Nut (RAD 654988)	1	43	O/L	7/16-NC x 1-1/4 Hex Bolt	4
4	O/L	3/16 x 2 Cotter Pin	3	44	NS	V-Belt AM33 (RAD 663458)	1
5	NS	Intake Cover (RAD 662646)	1	45	I162	Key, 1/4 x 1/4 x 1	2
6	O/L	5/16-NC Flange Nut	23	46	I461	Pulley MA38	1
7	5830	Grease Fitting	1	47	NS	Key, 1/4 x 1/4 x 2-1/2 (RAD 660924)	1
8	NS	Cap (RAD 662825)	2	48	I459	Shaft, 1 x 12-11/16	1
9	NS	Wheel Support Spacer (RAD 662737)	1	49	I120	Flange Bearing	6
10	O/L	5/16 Linchpin	1	50	NS	Housing (RAD 662643)	1
11	O/L	5/8-NC x 5-1/2 Hex Bolt	1	51	O/L	7/16 ID Flat Washer	4
12	O/L	1/4-NC x 1 Hex Bolt	8	52	O/L	3/8 Lock Washer	4
13	NS	Wheel Support (RAD 662642)	1	53	O/L	3/8-NC x 2 Hex Bolt	2
14	O/L	5/8-NC Locknut	1	54	NS	Eyebolt Spacer (RAD 663043)	2
15	NS	Wheel Spacer (RAD 662822)	2	55	NS	5/16-NC x 4 Eyebolt (RAD 663273)	2
16	I426	Wheel and Tire Assembly	1	56	O/L	5/16-NC Nylon Locknut	2
17	NS	Rotation Spacer (RAD 661498)	4	57	NS	Snap Button (RAD 663601)	2
18	NS	Rotation Bracket (RAD 663096)	1	58	NS	Lower Brg Support, Ext (RAD 663296)	1
19	O/L	1/4 Lock Washer	8	59	5609	1" Brg w/Locking Collar	3
20	O/L	1/4-NC Hex Nut	8	60	NS	Pulley MA53 (RAD 663457)	1
21	I186	Plastic Bushing, 1-11/16	2	61	O/L	5/16-NC x 3/4 Carriage Bolt	9
22	NS	Worm (RAD 663503)	1	62	NS	Lower Brg Support, Int (RAD 663382)	1
23	NS	Retaining Plate (RAD 661508)	1	63	O/L	3/8-NC x 1-1/4 Carriage Bolt	2
24	I183	Nylon Ring	1	64	O/L	5/16-NC x 1-1/4 Carriage Bolt	2
25	NS	Air Blast Nozzle (RAD 662672)	1	NOTE: Decals are illustrated in greater detail in the Owner's section of this manual. Refer to SAFETY, CONTROL, AND INSTRUCTION DECALS in Safety Instructions , Page 17.			
26	I172	7/16 ID Nylon Flat Washer	2	NOTE: All NS items are listed with a RAD Part Number (e.g., RAD 657383), and are not sold by Walker Manufacturing. To order these items, contact:			
27	O/L	5/16-NC x 3/4 Carriage Bolt	1				
28	I170	Knob, 5/16-18	1				
29	NS	Deflector (RAD 662734)	1				
30	O/L	11/32 Nylon Flat Washer (RAD 658467)	1				
31	O/L	5/16-NC Nylon Locknut	1				
32	O/L	5/16-NC x 1 Carriage Bolt	1				
33	NS	Parking Stand (RAD 662648)	2				
34	NS	Cover Pin, 1/4 x 1/2 (RAD 662926)	2				
35	O/L	Hairpin, 5/64 x 1-5/8 (2mm x 41mm)	2				
36	NS	Belt Cover (RAD 662735)	1				
37	I439	Shaft, 1 x 7-3/8	1				
38	O/L	7/16-NC Hex Nut	4				
39	O/L	7/16 Lock Washer	4				

DEBRIS BLOWER COMPONENTS



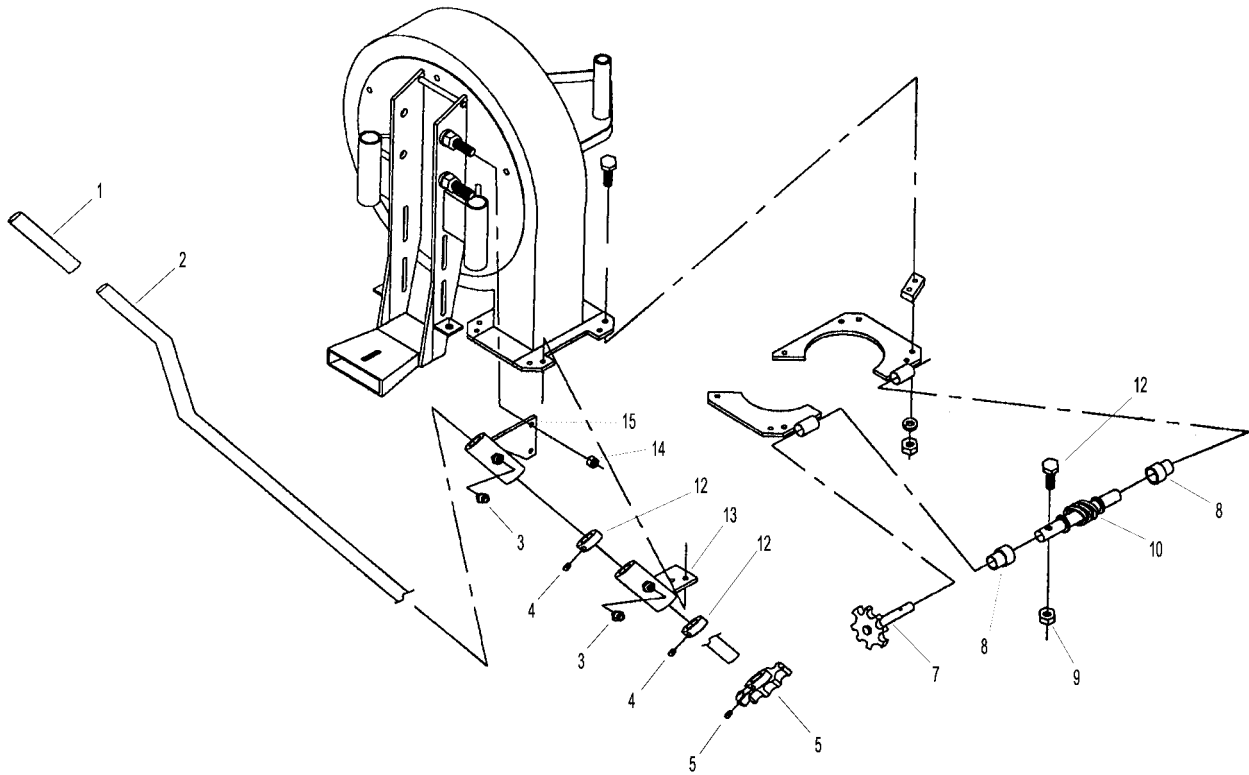
Effective Date 06-01-01

Use only genuine Walker® replacement parts.

DEBRIS BLOWER MANUAL ROTATION COMPONENTS

ITEM NO.	PART NO.	DESCRIPTION	NO. REQ'D	ITEM NO.	PART NO.	DESCRIPTION	NO. REQ'D
Debris Blower Manual Rotation Components				15	I406	Handle Fixation Bracket	1
1	7860	Handle Grip	1	<p>NOTE: Decals are illustrated in greater detail in the Owner's section of this manual. Refer to SAFETY, CONTROL, AND INSTRUCTION DECALS in Safety Instructions, Page 17.</p> <p>NOTE: All NS items are listed with a RAD Part Number (e.g., RAD 657383), and are not sold by Walker Manufacturing. To order these items, contact:</p>			
2	NS	Rotation Handle (RAD 663509)	1				
3	5830	Grease Fitting	2				
4	O/L	#8-32 x 1/8 Allen Set Screw	2				
5	O/L	1/4-20 x 3/16 Allen Set Screw	2				
6	I415	Drive Sprocket	1				
7	I403	Driven Sprocket	1				
8	I186	1-11/16 Plastic Bushing	2				
9	O/L	1/4-NC Nylon Locknut	1				
10	NS	Rotation Worm (RAD 663503)	1				
11	O/L	1/4-NC x 1-1/4 Hex Bolt	1				
12	NS	Adjustment Bushing (RAD 663332)	2				
13	I412	Handle Rotation Guide	1				
14	O/L	5/16-NC Flange Nut	2				

DEBRIS BLOWER MANUAL ROTATION COMPONENTS



KEY TO ABBREVIATIONS USED IN ILLUSTRATED PARTS MANUAL

<i>Abbreviation</i>	<i>What it Represents</i>
° (Dimension)	Degrees (Angle)
" (Dimension)	inches
cfm	cubic feet per minute
cl	centiliters
cm	centimeters
Db	Decibels
DC	Direct Current
ESNA (Fastener)	Nylon Insert Locknut
fl. oz.	fluid ounces
FSC	Forward Speed Control
ft	feet
ft-lb	foot-pounds
GHS	Grass Handling System
GR (Fastener)	Grade
HP	Horse Power
ID	Identification or Inside Diameter
kg	kilograms
km/h or kph	kilometers per hour
kPa	kilopascals
lb	pounds
lbf	poundals or pounds force
LH	Left Hand (orientated with operator on seat)
m	meters
mm (Dimension)	millimeters
mph	miles per hour
N	Newtons
NC (Fastener)	National Coarse
NF (Fastener)	National Fine
NPT	National Pipe Thread
NS (as part number)	Item is not sold by Walker Manufacturing
N·m	Newton-meters
O/L	Obtain Locally (Item is not sold by Walker Manufacturing)
P/N	Part Number
PPHMS (Fastener)	Phillips Pan Head Machine Screw
PSI	Pounds Square Inch
PTO	Power Take-Off
RH	Right Hand (orientated with operator on seat)
RPM	revolutions per minute
SAE (Fastener)	Society of Automotive Engineers
SBH (Fastener)	Socket Button Head (Bolt)
S/N	Serial Number
U	Unified

NOTE: In some instances, combinations of abbreviations may be used (e.g. UNC - Unified National Coarse).