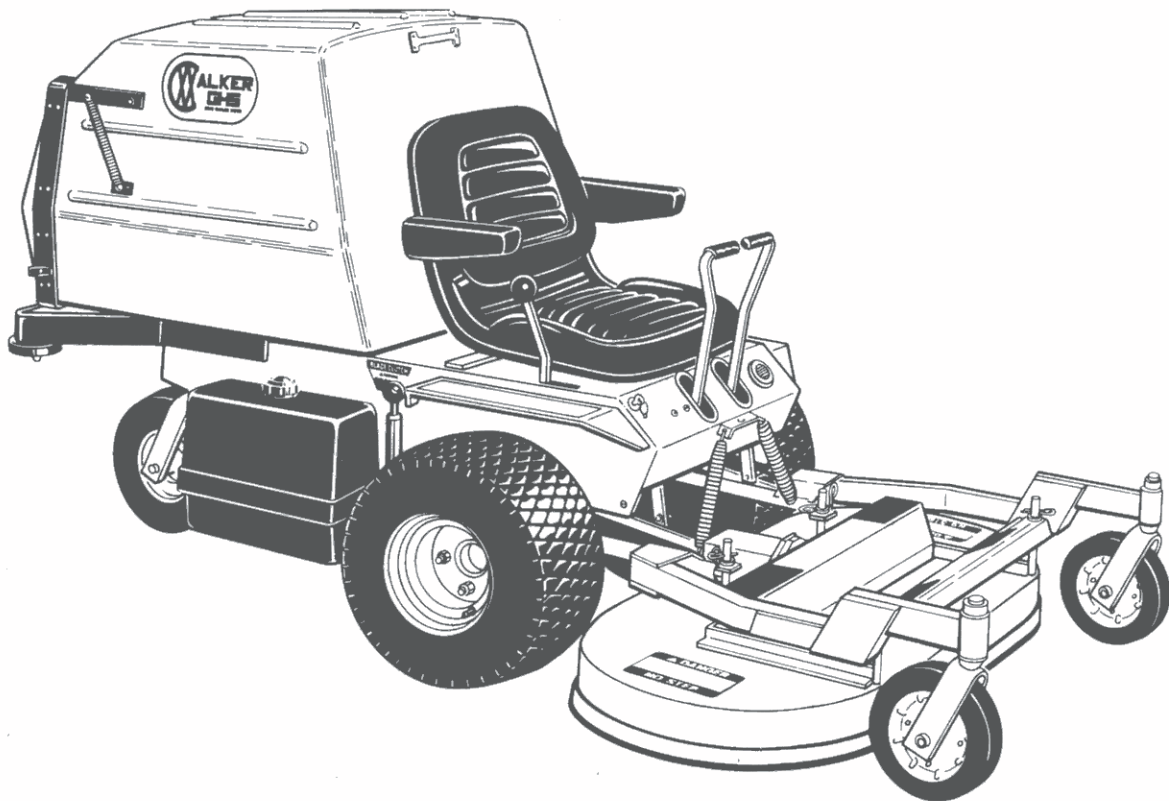


Walker Rider Lawnmowers

MODEL MT (20-HP)

ILLUSTRATED PARTS MANUAL



PARTS LIST NO. 8895-1
EFFECTIVE DATE 3-1-93

UNIQUE PARTS FOR 180° MT 20-25

<u>Part No.</u>	<u>Description</u>
5126	Cable Retainer (Bolted to Gear Axle)
5221	Extension Spring, 3/4" x 4"
5265	Bearing (Jackshaft & PTO Idler)
7235	Ground Drive Belt
7303-7	Clutch Actuator Rod
8013-1	Muffler
8013-4	Exhaust Pipe, Rear
8013-5	Muffler Heat Shield
8013-6	Exhaust Pipe, Front
8020	Snorkel Tube, Pre-Cleaner
8021	Engine Brace
8022	Cable Heat Shield (GHS Only)
8023	Fuel Tank Support
8050	PTO Gearbox
8121	Throttle Control/Cable Assembly
8121-1	Throttle Cable
8122	Choke Control/Cable Assembly
8122-1	Choke Cable
8130	Pushrod, Clutch Actuator (Threaded Tube)
8243	Clutch Idler Pulley Assembly
8243-1	Clutch Idler Pulley
8243-3	Hub, Idler Pulley
8250	Brake Spring, 1/2" x 2-1/2"
8273	Jackshaft, 3/4" x 7-1/2"
8304	Brake Band, 14-1/2"
8305	Brake Actuator Rod (Plated)
8349	Belt Tightener Arm (Transmission)
8358	Clutch Lever Assembly (Front)
8367	Bearing Spacer Tube, 3/4" (in 8368)
8368	PTO Belt Tightener Assembly (Rear)
8369	Brake Actuator
8370	Bearing, Brake Actuator (in 8369)
8371	Mount Bracket, Brake Band (Bolted to 8050)
8393	Jackshaft Support
8897	Muffler Band Clamp
8940-2	Wire Harness
8948	Relay Switch (Mounted to Engine)
NOTE:	Right Hydro - 5025
	Left Hydro - 5026

UNIQUE PARTS FOR REDESIGNED DGHS48

7701-10	Edge Stiffener, Side
7701-11	Edge Stiffener, Front
7705-1	Blade, 25" RH Rotation
7705-2	Blade, 25" LH Rotation
7726	Chute Hinge
7751	Tee Gearbox
7794	Discharge Chute Assembly
7798	Discharge Chute

ILLUSTRATED PARTS BREAKDOWN LIST

<i>Figure No.</i>	<i>Section of Mower Covered</i>	<i>Page</i>
B1	Front Body Assembly	2
B2	Rear Body Assembly, GHS Model	4
B3	Rear Body Assembly, SD Model	6
C1	Chassis Assembly, Engine Parts	8
C2	Chassis Assembly, Ground Drive	10
C3	Chassis Assembly, Electrical/Fuel System	12
C4	Chassis Assembly, Belt Tensioning	14
C5	Chassis Assembly, Steering Controls	16
C6	Chassis Assembly	18
C7	Instrument Panel Assembly (8306)	20
D1	DGHS36 Deck Assembly	22
D2	DSD36 Deck Assembly	24
D3	DSD42 Deck Assembly	26
D4	DGHS42 Deck Assembly	28
D5	DSD54 Deck Assembly	30
D6	DML42 Deck Assembly	32
D7	DGHS48 Deck Assembly	34
E1	Wiring Schematic for Model MT	37
G1	GHS 7.0 Bushel Catcher Assembly	38
G2	GHS 7.0 Bushel Catcher Assembly	40
K1	7989 Light Kit Assembly	42
K2	7400 Parking Brake Assembly	44
K3	7504 Exhaust Deflector Assembly	46
K4	5885 Arm Rest Kit Assembly	48
K5	6885 Arm Rest Kit Assembly	48
L1	Chassis Lubrication Points	50

NS = Item Not Stocked By Walker Manufacturing Company

FRONT BODY ASSEMBLY PARTS LIST (FIGURE B1)

ITEM NO.	PART NO.	DESCRIPTION	NO. REQ'D	ITEM NO.	PART NO.	DESCRIPTION	NO. REQ'D
1	5806	Blade Clutch Decal	1	48	7819	Throttle Decal	1
2	7820	Body Release Decal	1	49	8819	Choke Decal	1
3	8100	Front Body (MT)	1	50	7205	Seat Hinge Assembly	1
4	7854	Plastic Tip, Body Release	1	51	7205-2	Upper Plate, Seat Hinge	1
5	7222	Spring, Body Release	1	52	7205-5	Pivot Pin, Seat Hinge	1
6	7383-1	Body Latch Hook	1	53	5103-2	Pivot Bushing, Seat Hinge	4
7	5845	Rubber Bumper	4	54	7205-1	Lower Plate, Seat Hinge	1
8	7209	Bridge Assembly (MD/MT)	1	55	5855	Engine Cooling Decal	1
9	7145	Gas Spring	1				
10	5147	Spring Clip, Gas Spring	2				
11	5146	Ball Stud, Gas Spring	2	F002	F002	10-24 Keps Nut	10
12	5103	Seat	1	F004	F004	1/4-20 Keps Nut	2
13	7203	Seat Spring Plate	1	F005	F005	1/4-20 ESNA Nut	3
14	7223	Compression Spring (Seat)	2	F009	F009	5/16-18 Whiz Lock Nut	10
15	7846	Rubber Washer (3/8 X 1-1/4 X 1/8)	2	F014	F014	3/8-16 ESNA Nut	2
16	7204	Shoulder Bolt, Seat Mount	2	F025	F025	10-24 X 3/8 PPHMS	8
17	6839	Body ID Plate	1	F026	F026	10-24 X 1/2 PPHMS	2
18	7530	Body Chute Assembly*	1	F031	F031	1/4-20 X 5/8 Hex Bolt	1
19	7845	Rubber Bumper (Seat)	2	F032	F032	1/4-20 X 3/4 Hex Bolt	2
20	5941	Safety Switch (NC)	1	F034	F034	5/16-18 X 3/4 Hex Bolt	4
21	5989-3	Body Panel Plug (5/16)	2	F040	F040	3/8-16 X 1-1/2 Hex Bolt	2
22	5989-4	Body Panel Plug (3/8)	2	F050	F050	1/4 SAE Washer	3
23	5804	Decal, Blower Blade Warning*	1	F051	F051	3/8 SAE Washer	2
24	7802	RH Fender Decal	1	F060	F060	AN960516 Washer	2
25	7818	Warning Decal	1	F069	F069	3/32 X 1/2 Cotter Pin	2
26	5856	Made in USA Decal	1	F104	F104	1/4-20 X 3/4 PFH Bolt	1
27	5803	Walker Mfg. Logo Decal	1	F164	F164	10-24 X 1/4 X 3/8 Shoulder Bolt	2
28	5180	Edge Molding, Lever Opening	2	F201	F201	Washer, 1/4" Belleville Spring	4
29	7170	FSC Lever Assembly	1	F206	F206	#2 X 3/16 Drive Pin	2
30	5830	Grease Fitting	1	F227	F227	3/8 X 1-1/4 X 1/8 Plastic Washer	2
31	5862	FSC Knob	1				
32	5223	Extension Spring, 1/4 X 5-1/2	2				
33	5450-2	Steering Lever, RH	1				
34	5451-2	Steering Lever, LH	1				
35	8108-3	Throttle Cable (MT)	1				
36	5832	Cable Clamp (1/2")	2				
37	8108-4	Choke Cable (MT)	1				
38	NS	20-HP Engine (Kohler CH20S, Spec #64511)	1				
39	5108-6	Choke Control Knob, Black	1				
40	5108-8	Control Bracket Assembly, Throttle/Choke	2				
41	7108	Throttle/Choke Control Assembly	2				
	8108	Throttle Control & Cable Assembly (MT)	0				
	8109	Choke Control & Cable Assembly (MT)	0				
42	5108-11	Friction Washer, Thin (.062)	2				
43	5108-1	Control Lever, Throttle & Choke	2				
44	5108-5	Throttle Control Knob, Red	1				
45	5108-10	Friction Washer, Thick (.125)	2				
46	5108-7	Control Lock Tab	2				
47	5172	Bearing (Delrin)	2				

* Used On GHS Model Only

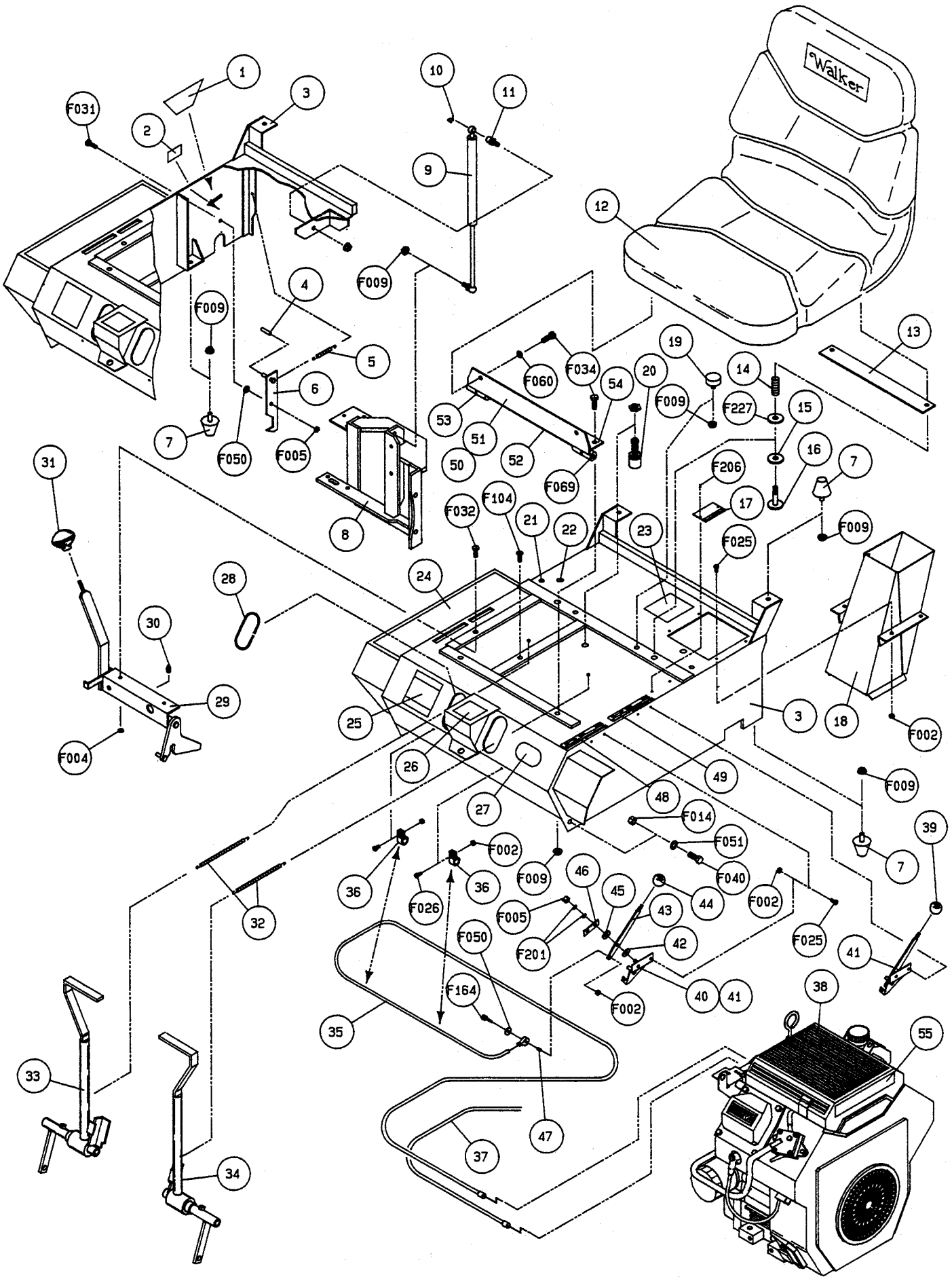


Figure B1 - Front Body Assembly

REAR BODY ASSEMBLY, GHS MODEL PARTS LIST (FIGURE B2)

ITEM NO.	PART NO.	DESCRIPTION	NO. REQ'D	ITEM NO.	PART NO.	DESCRIPTION	NO. REQ'D
1	7510-1	7.0 Bushel Catcher, Incl. Door	1	F002	F002	10-24 Keps Nut	14
2	7513	Mounting Frame Assembly, Catcher (7.0)	1	F004	F004	1/4-20 Keps Nut	5
3	7835	Frame Clip (Cable Clamp)	5	F009	F009	5/16-18 Whiz Lock Nut	3
4	8515	Catcher Support Frame	1	F012	F012	3/8-16 Keps Nut	6
5	7190-3	Insulation Foam Pad (5 x 20)	1	F013	F013	3/8-16 Whiz Lock Nut	4
6	8082	Heat Shield	1	F014	F014	3/8-16 ESMA Nut	2
7	8081	Muffler Heat Baffle	1	F025	F025	10-24 X 3/8 PPHMS	11
8	8105	Rear Body Panel	1	F026	F026	10-24 X 1/2 PPHMS	3
9	7976	Nylon Grommet, 7/16"	1	F031	F031	1/4-20 X 5/8 Hex Bolt	4
10	7944	GHS Wire Harness	1	F032	F032	1/4-20 X 3/4 Hex Bolt	1
11	7844	Rubber Bumper	1	F038	F038	3/8-16 X 1 Hex Bolt	6
12	7145	Gas Spring	1	F040	F040	3/8-16 X 1-1/2 Hex Bolt	2
13	7516	Rear Bumper Assembly (GHS)	1	F051	F051	3/8 SAE Washer	4
14	5162	Anti-Skuff Roller (5")	2	F059	F059	3/8 Wavey Spring Washer	2
15	7190-2	RH Insulation Foam Pad	1	F085	F085	3/16 Rivet Backup Washer	1
16	7190-1	LH Insulation Foam Pad	1	F178	F178	1/4 Fender Washer	3

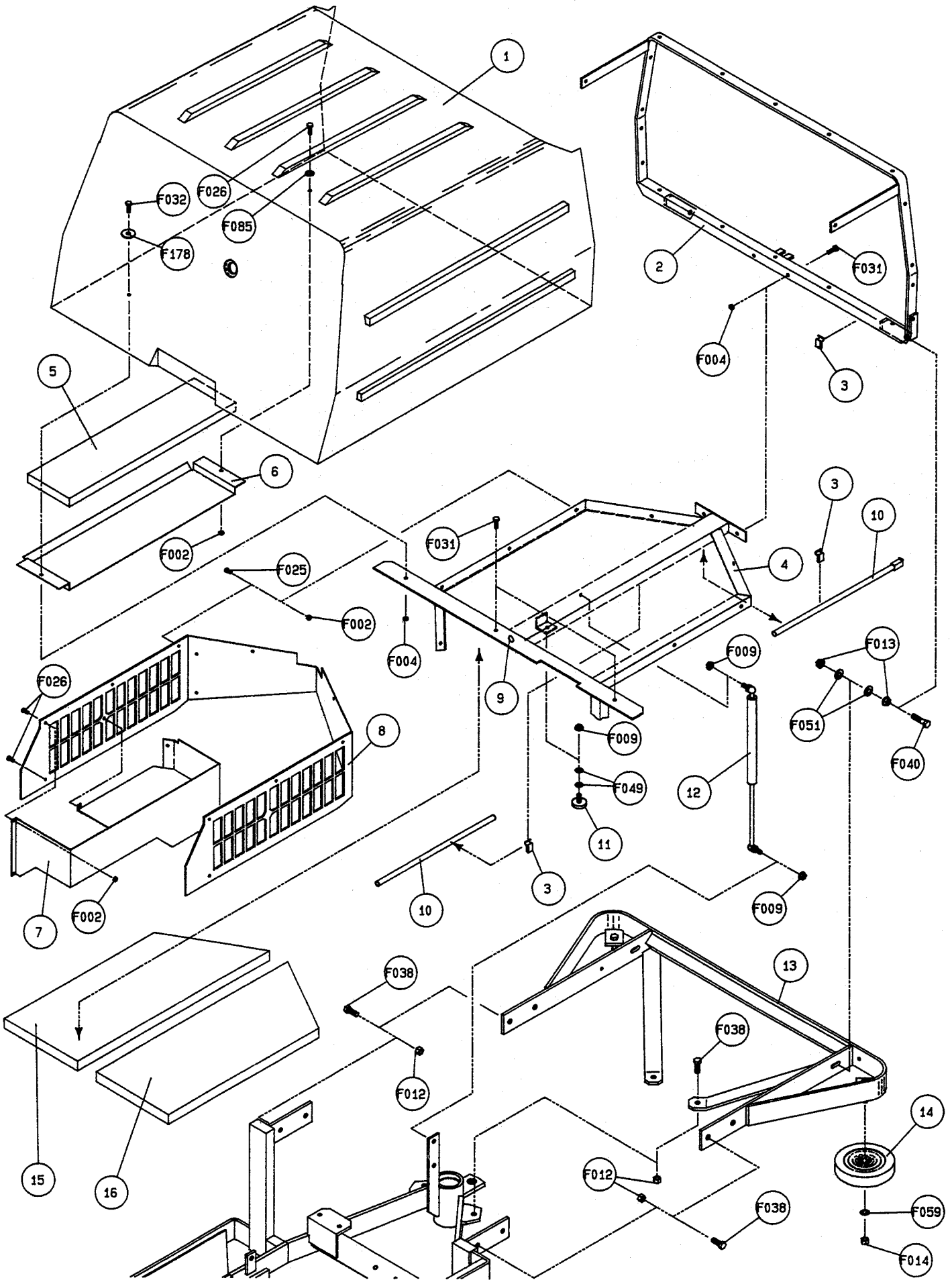


Figure B2 - Rear Body Assembly, GHS Model

REAR BODY ASSEMBLY, SD MODEL PARTS LIST (FIGURE B3)

ITEM NO.	PART NO.	DESCRIPTION	NO. REQ'D	ITEM NO.	PART NO.	DESCRIPTION	NO. REQ'D
1	8081	Muffler Heat Baffle	1	F002	F002	10-24 Keps Nut	17
2	8105	Rear Body Panel	1	F009	F009	5/16-18 Whiz Lock Nut	3
3	8650	Utility Bed (MT)	1	F012	F012	3/8-16 Keps Nut	6
4	5800	Decal, Walker Mower (4 X 7-1/2)	2	F013	F013	3/8-16 Whiz Lock Nut	4
5	7190-2	RH Insulation Foam Pad	1	F014	F014	3/8-16 ESNA Nut	2
6	7190-1	LH Insulation Foam Pad	1	F025	F025	10-24 x 3/8 PPHMS	15
7	8100	Front Body (MT)	1	F026	F026	10-24 X 1/2 PPHMS	2
8	7844	Rubber Bumper	1	F038	F038	3/8-16 X 1 Hex Bolt	6
9	7153-2	Cover Plate	1	F040	F040	3/8-16 X 1-1/2 Hex Bolt	2
10	7145	Gas Spring	1	F049	F049	5/16 SAE Washer	2
11	7521	Rear Bumper Assembly (SD)	1	F051	F051	3/8 SAE Washer	4
12	5162	Anti-Skuff Roller (5")	2	F059	F059	3/8 Wavey Spring Washer	2
13	8300	Chassis Frame (MT)	1				

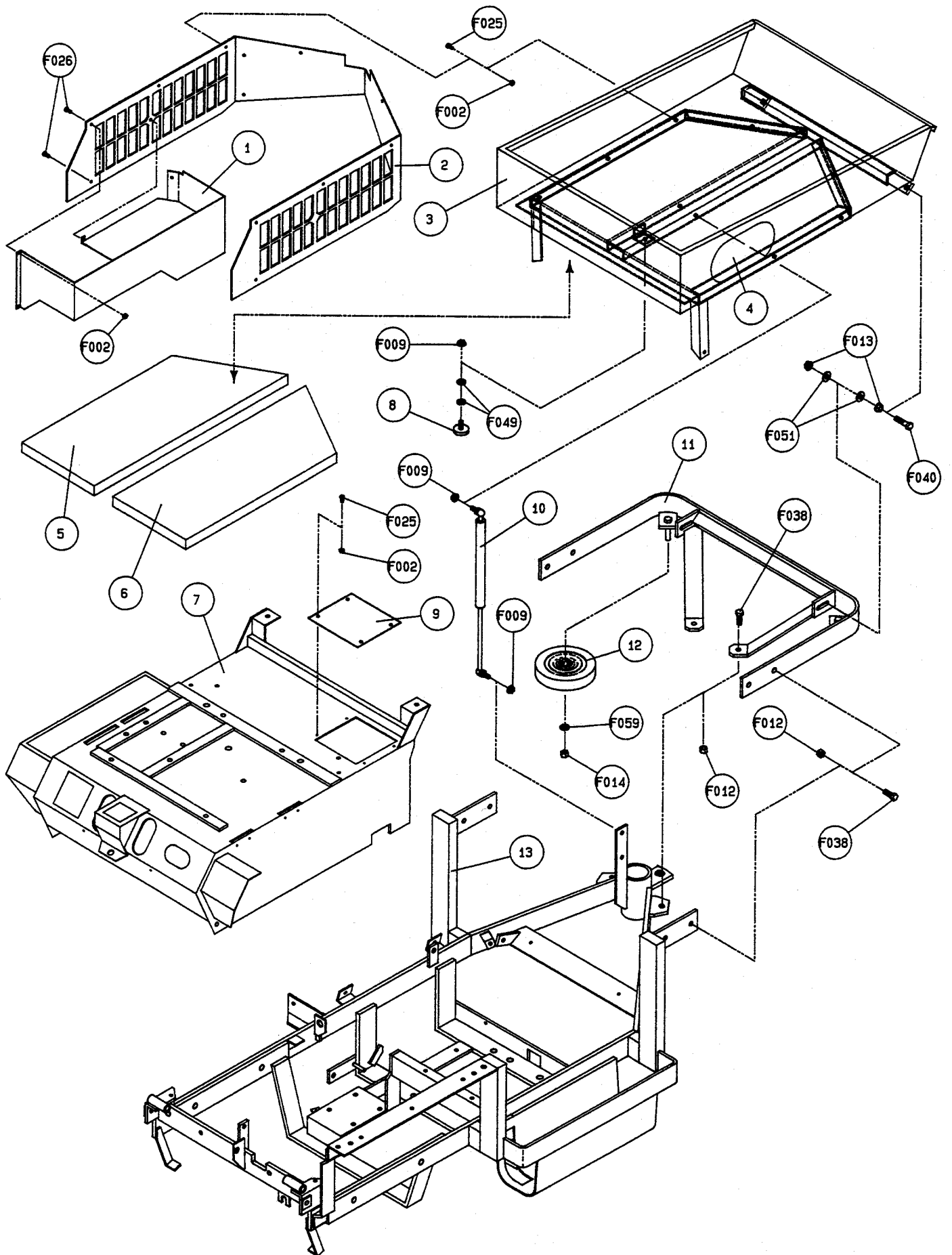


Figure B3 - Rear Body Assembly, SD Model

CHASSIS ASSEMBLY, ENGINE PARTS LIST (FIGURE C1)

ITEM NO.	PART NO.	DESCRIPTION	NO. REQ'D	ITEM NO.	PART NO.	DESCRIPTION	NO. REQ'D
1	8300	Chassis Frame (MT)	1	F002	F002	10-24 Keps Nut	6
2	8013	Muffler	1	F004	F004	1/4-20 Keps Nut	2
3	NS	Nut (M-0841080 Kohler)	4	F012	F012	3/8-16 Keps Nut	1
4	NS	Gasket (2404102 Kohler)	2	F025	F025	10-24 X 3/8 PPHMS	2
5	NS	20-HP Engine (Kohler CH20S, Spec #64511)	1	F026	F026	10-24 X 1/2 PPHMS	2
6	8080	Engine Heat Baffle	1	F038	F038	3/8-16 X 1 Hex Bolt	3
7	8343	Engine Brace	1	F063	F063	3/8 Internal Star Lock Washer	2
8	6231	Engine Ground Drive Belt (3VX355)	1	F163	F163	5/16-18 X 3/4 SH Set Screw	2
9	8230	Engine PTO Belt	1	F240	F240	1/4 X 1/4 X 2-1/4 Key	1
10	8389	Splash Guard (MT)	1	F246	F246	1/4-20 X 1/2 PTH Bolt	2
11	7833	Cable Clamp, 7/8"	1	F247	F247	M10 X 1.5 X 45 Hex Bolt	4
12	7245-1	Idler Pulley	1	F248	F248	M10 X 1.5 Hex Nut	4
13	7240-1	Jackshaft Drive Pulley (3V)*	1	F249	F249	M10 Split Lock Washer	4
	7240	Jackshaft Drive Pulley (3V)	1				
14	7243	Clutch Idler Pulley	1				
15	7236	PTO Drive Pulley (3 Groove)	1				
16	8237	Engine Pulley	1				
17	8824	Engine Screen Guard	1				
18	8106	Side Panel Screen	1				

* See Figure C4 For Earlier Application

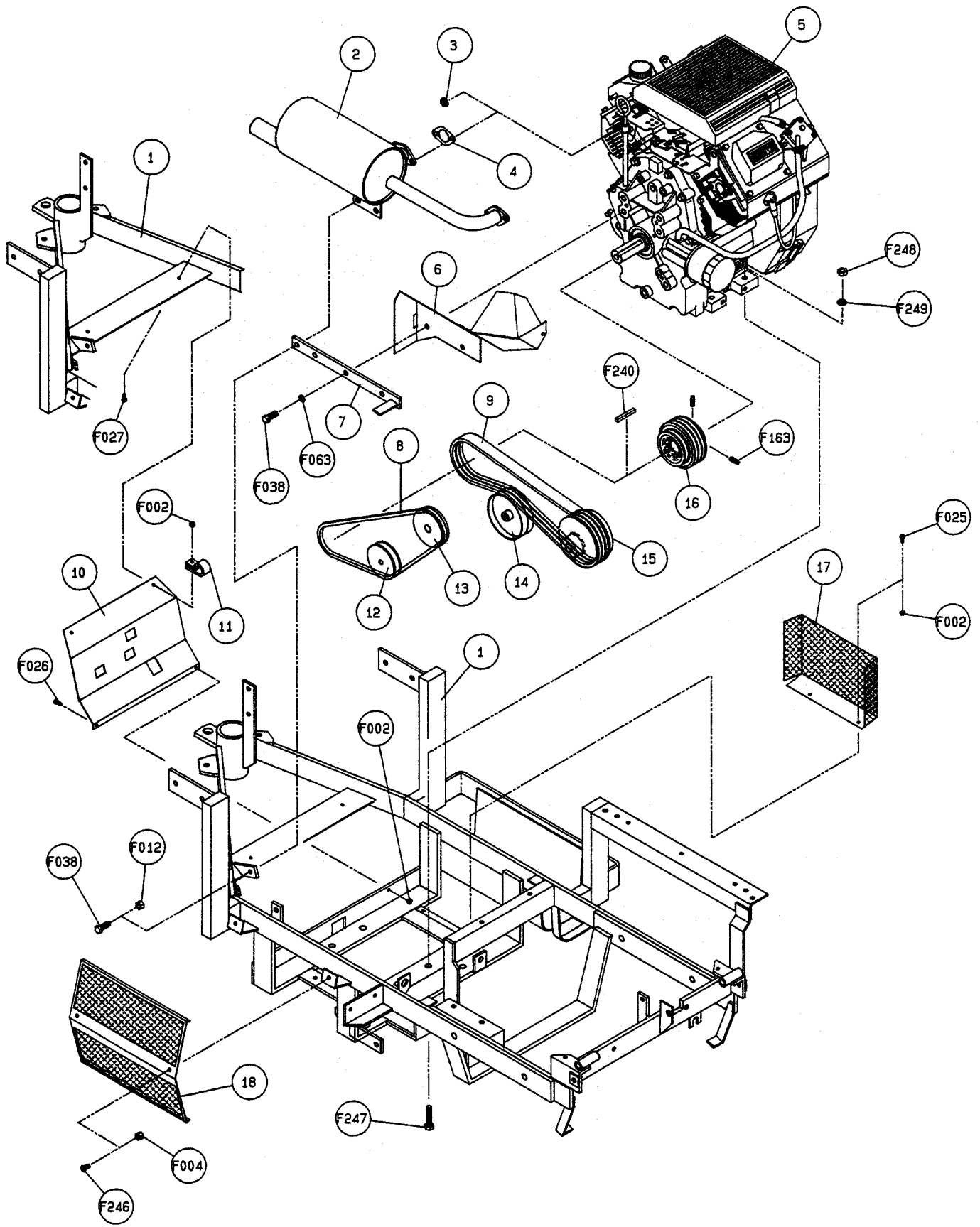


Figure C1 – Chassis Assembly (Engine Parts)

CHASSIS ASSEMBLY, GROUND DRIVE PARTS LIST (FIGURE C2)

ITEM NO.	PART NO.	DESCRIPTION	NO. REQ'D	ITEM NO.	PART NO.	DESCRIPTION	NO. REQ'D
1	5810	Reservoir Decal	2	F004	F004	1/4-20 Keps Nut	2
2	5026	Hydrostatic Drive (RH, CW, 700-031)	1	F009	F009	5/16-18 Whiz Lock Nut	1
3	6244	Hydro Pulley	2	F032	F032	1/4-20 X 3/4 Hex Bolt	2
4	6243-1	CW Hydro Fan	1	F034	F034	5/16-18 X 3/4 Hex Bolt	1
5	7070	Wide Wheel & Tire Assembly (18 x 9.50-8)	2	F036	F036	1/4-20 X 1/2 SBH Bolt	2
	7070-1	Tire Only (18 X 9.50-8)	0	F038	F038	3/8-16 X 1 Hex Bolt	4
	5070-4	Wheel Only (8.50-8)	0	F040	F040	3/8-16 X 1-1/2 Hex Bolt	4
6	6430-9	RH Outboard Mount, Support Arm	1	F043	F043	3/8-16 X 3 Hex Bolt	8
7	6840-1	Support Arm Bushing	2	F053	F053	7/16 Internal Star Lock Washer	4
8	5830	Grease Fitting	2	F063	F063	3/8 Internal Star Lock Washer	16
9	6430-1	Deck Support Arm, RH	1	F064	F064	1/8 X 1/2 Woodruff Key (#3)	4
10	6200-4	Gear Axle Drive Assembly	2	F157	F157	Wheel Lug Bolt, 1/2-20 X 1-1/4	8
11	5810-1	Decal, Axle Oil Level	2	F160	F160	External Snap Ring (.669 Shaft)	2
12	7209	Bridge Assembly (MD/MT)	1	F178	F178	1/4 Fender Washer	2
13	6430-2	Deck Support Arm, LH	1	F194	F194	7/16 X 1-1/4 X 1/8 Washer	2
14	6430-10	LH Outboard Mount, Support Arm	1	F200	F200	7/16-20 X 3 Grade 8 Bolt	2
15	6243-2	CCW Hydro Fan	1	F205	F205	5/16-18 X 1/4 Set Screw, Knurl Pt	4
16	5025	Hydrostatic Drive (LH, CCW, 700-032)	1	F244	F244	7/16-20 X 3/4 Hex Bolt	2
17	6201	O-Ring Seal	2				
18	6234	Spacer, Pinion Gear	2				
19	6233-1	Pinion Gear	2				
20	7390-1	Battery Pan	1				
21	8300	Chassis Frame (MT)	1				
22	6206	Pressure Relief Valve	2				

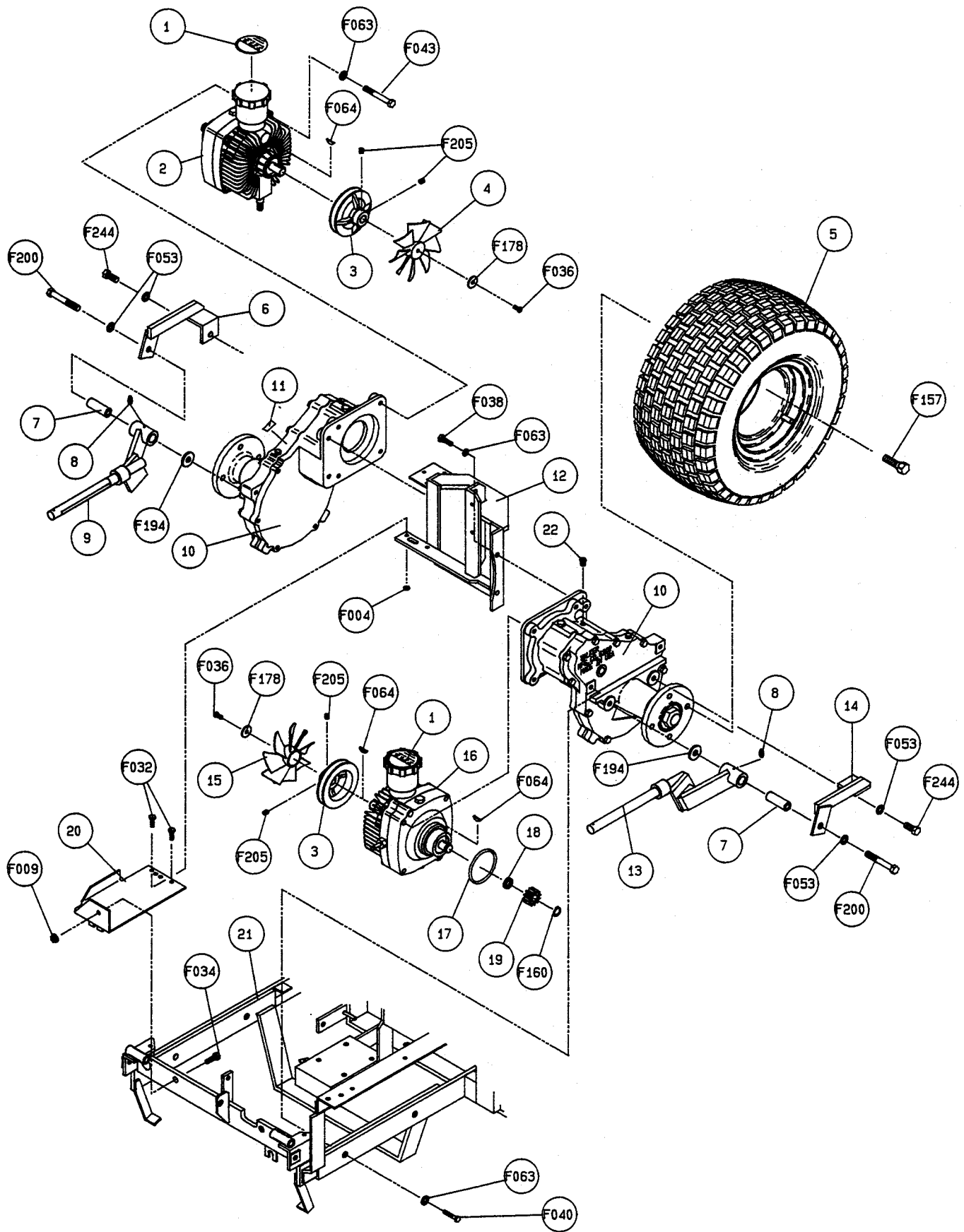


Figure C2 - Chassis Assembly (Ground Drive)

CHASSIS ASSEMBLY, ELECTRICAL/FUEL SYSTEM PARTS LIST (FIGURE C3)

ITEM NO.	PART NO.	DESCRIPTION	NO. REQ'D	ITEM NO.	PART NO.	DESCRIPTION	NO. REQ'D
1	6941	Relay Switch	1	F002	F002	10-24 Keps Nut	3
2	7209	Bridge Assembly (MD/MT)	1	F004	F004	1/4-20 Keps Nut	9
3	5942	Safety Switch (NO)	1	F009	F009	5/16-18 Whiz Lock Nut	3
4	8940	Wire Harness (MT)	1	F019	F019	1/4-20 ESNA Wing Nut	2
5	7516	Rear Bumper Assembly (GHS)*	1	F025	F025	10-24 X 3/8 PPHMS	1
6	5832	Cable Clamp, 1/2"	3	F026	F026	10-24 X 1/2 PPHMS	2
7	5140-3	FSC Control Assembly	1	F029	F029	1/4-20 X 1/2 Hex Bolt	2
8	8941	Circuit Breaker W/Reset (15 Amp)	1	F032	F032	1/4-20 X 3/4 Hex Bolt	3
9	8943	Positive Battery Lead Wire	1	F034	F034	5/16-18 X 3/4 Hex Bolt	2
10	5975-1	Cable Tie, 18 X 3-3/4	2	F049	F049	5/16 SAE Washer	1
11	5933	Battery Terminal Insulator, Red (+)	1	F050	F050	1/4 SAE Washer	2
12	5932	Battery Terminal Insulator, Black (-)	1	F061	F061	1/4 Internal Star Lock Washer	2
13	5910	Battery (12V U1-SP30)	2	F079	F079	A/A66D Alum Pop Rivet	2
14	6923	Negative Battery Cable	1	F228	F228	#6 X 1/2 PPH SM Screw	8
15	7844	Rubber Bumper	1	F238	F238	J-Clip, Instrument Panel	8
16	5844	Battery Hold-Down Bar	1				
17	5839	Hook Bolt, Battery Mount	2				
18	5083	Fuel Shut-Off Valve & Filter	1				
19	5083-1	Rubber Bushing, Fuel Tank	1				
20	5879-3	Fuel Line Clamp (1/4)	4				
21	8015	Fuel Line, Tank	1				
22	5082	Fuel Tank Cap	1				
23	6046	Fuel Tank (3 Gallon Molded)	1				
24	NS	20-HP Engine (Kohler CH20S, Spec #64511)	1				
25	7307	Panel Frame	1				
26	8306	Instrument Panel Assembly	1				
27	7386	Panel Gasket	1				
28	7391	Panel Box Mount Plate	2				
29	8977	Rubber Grommet	1				
30	8385	Panel Box	1				
31	7825	Walker Decal	1				
32	7307-1	Shock Mount	3				
33	7422	Panel Guard	1				
34	5020	Fuel Filter	1				
35	8015-1	Fuel Line, Engine	1				
36	7942	Safety Switch	1				
37	8942-2	8 Pin Connector, Male**	1				
38	5940-4	Brass Female Wire Clip**	8				
39	5940-5	Brass Male Wire Clip**	15				
40	5940-7	Brass Female Wire Clip**	4				
41	7942-2	Safety Switch Adapter Plug**	2				
42	7942-3	2 Pin Connector, Male**	1				
43	7942-5	5 Pin Connector, Female**	1				
44	7942-6	6 Pin Connector, Female**	1				
45	8942-1	Engine Plug**	1				
46	8300	Chassis Frame (MT)	1				
47	7307-2	Instrument Panel Cover (Optional)	1				

* Used On GHS Model Only

** Repair Parts For P/N 8940 Wire Harness

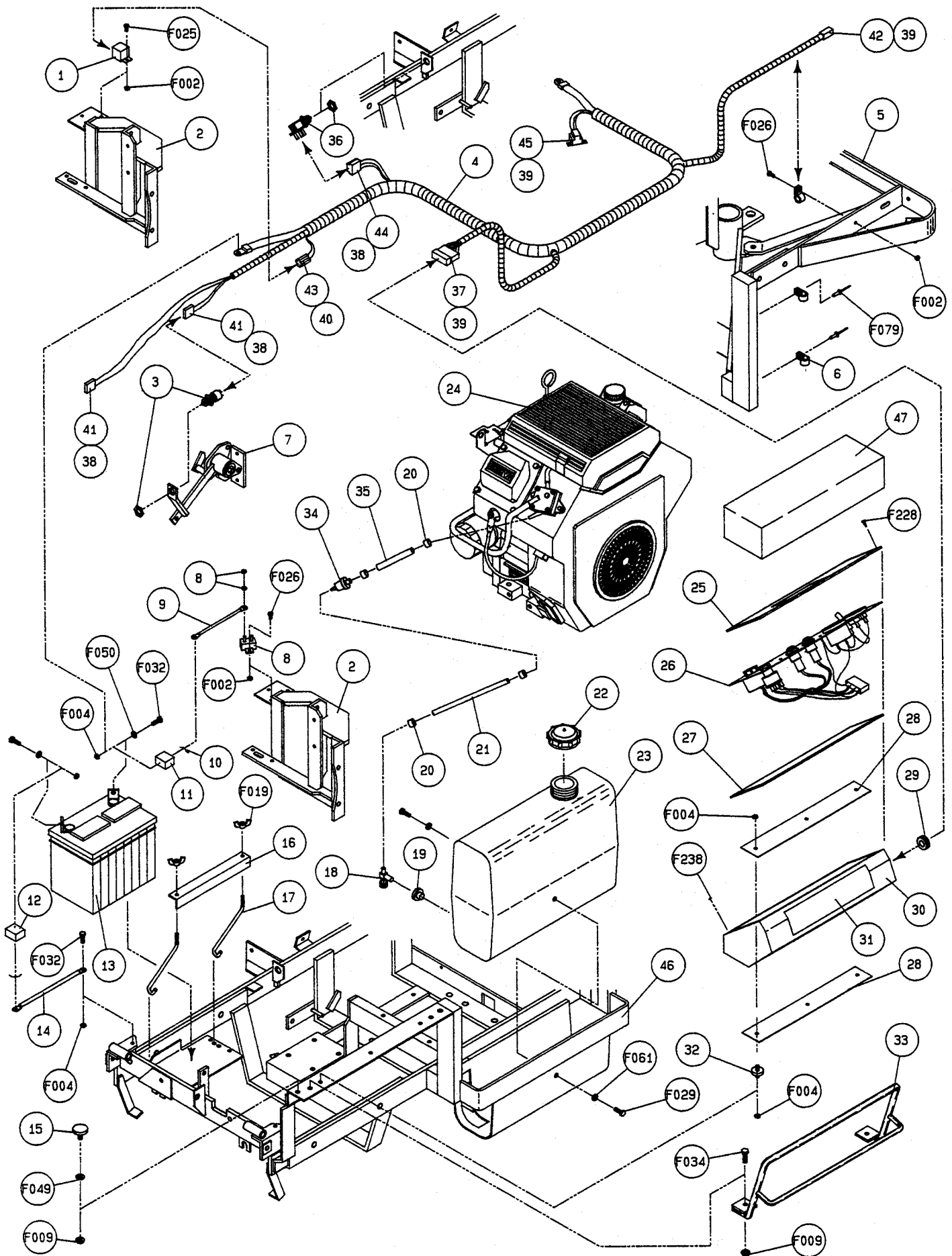


Figure C3 - Chassis Assembly (Electrical/Fuel System)

CHASSIS ASSEMBLY, BELT TENSIONING PARTS LIST (FIGURE C4)

ITEM NO.	PART NO.	DESCRIPTION	NO. REQ'D	ITEM NO.	PART NO.	DESCRIPTION	NO. REQ'D
1	7240-1	Jackshaft Drive Pulley (3V)*	1	F002	F002	10-24 Keps Nut	1
	7240	Jackshaft Drive Pulley (3V)	1	F005	F005	1/4-20 ESNA Nut	1
2	5268	Jackshaft Bearing*	2	F008	F008	5/16-24 Keps Nut	1
	7265	Jackshaft Bearing	2	F009	F009	5/16-18 Whiz Lock Nut	2
3	7349	Jackshaft Support Assembly*	1	F010	F010	5/16-24 ESNA Nut	1
	7348	Jackshaft Support Assembly	1	F012	F012	3/8-16 Keps Nut	6
4	7273	Jackshaft (3/4")*	1	F029	F029	1/4-20 X 1/2 Hex Bolt	1
	7274	Jackshaft (5/8")	1	F034	F034	5/16-18 X 3/4 Hex Bolt	2
5	7241-1	Transmission Drive Pulley (3-1/4")*	1	F040	F040	3/8-16 X 1-1/2 Hex Bolt	1
	7241	Transmission Drive Pulley (3-1/4")	1	F041	F041	3/8-16 X 1-3/4 Hex Bolt	1
6	7351	Jackshaft Mount Bracket	1	F042	F042	3/8-16 X 2-1/4 Hex Bolt	1
7	7236	PTO Drive Pulley (3 Groove)	1	F047	F047	3/8-16 X 4-1/2 Hex Bolt	1
8	7860	Handle Grip	1	F049	F049	5/16 SAE Washer	3
9	7358	Clutch Lever Assembly	1	F060	F060	AN960516 Washer	1
10	5830	Grease Fitting	1	F061	F061	1/4 Internal Star Lock Washer	2
11	7377	Plastic Washer (1 X .438 X .025)	2	F069	F069	3/32 X 1/2 Cotter Pin	1
12	7380	Knuckle Joint, Clutch Linkage	1	F075	F075	5/16-18 X 1/2 SH Set Screw	2
13	8300	Chassis Frame (MT)	1	F114	F114	5/16-18 X 5/8 SH Set Screw	2
14	7378	Pivot Bearing	1	F153	F153	3/16 X 3/16 X 1-1/4 Key	3
15	5830-3	Grease Fitting (45 degree)	1	F168	F168	5/16 Split Lock Washer	1
16	7379	Bushing	1	F178	F178	1/4 Fender Washer	2
17	5221	Extension Spring	1	F215	F215	3/8-16 X 1/2 X 1/2 Shoulder Bolt	2
18	7226	Compression Spring	1	F226	F226	5/16-18 X 7/8 Hex Bolt	6
19	7303-1	Clutch Actuator Rod	1	F231	F231	1/4 X 3/4 Woodruff Key (#806)	1
20	7201	Bearing Inner Race	4	F245	F245	3/8-24 X 7/8 SFH Cap Screw	1
21	7201-1	Needle Bearing	4	F252	F252	10-24 X 3/4 PFHMS	1
22	7368	PTO Belt Tightener Assembly	1				
23	7243	Clutch Idler Pulley	1				
24	7368-1	Bearing Spacer Tube	1				
25	7303	Brake Band	1				
26	5229	Extension Spring 1/2" X 2-1/4"	1				
27	7050	PTO Gearbox	1				
28	7206	Pressure Relief Valve Stem	1				
29	6206	Pressure Relief Valve	1				
30	7238	Blower Drive Pulley**	1				
31	7390	Idler Arm Guide	1				
32	7373	Ground Drive Idler Arm	1				
33	5841	Retainer Washer	1				
34	7245-1	Idler Pulley	1				
35	5245	Idler Pulley (3")	1				

* New Jackshaft Assembly With Bigger Bearings (Same As MD), S/N 93-14669 And On, Retrofit Earlier Models By 7348-2 Kit

** Used on GHS Model Only

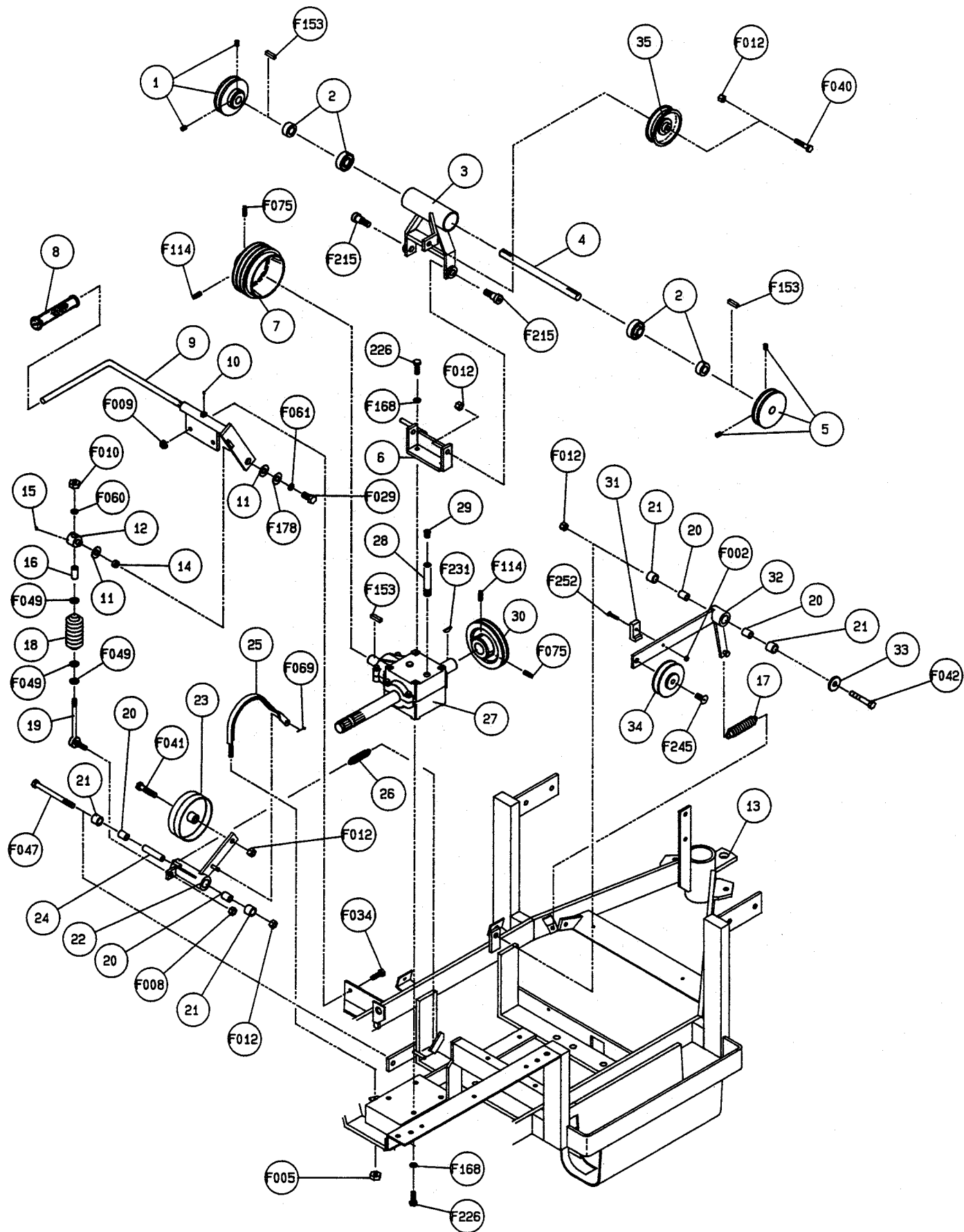


Figure C4 - Chassis Assembly (Belt Tensioning)

CHASSIS ASSEMBLY, STEERING CONTROLS PARTS LIST (FIGURE C5)

ITEM NO.	PART NO.	DESCRIPTION	NO. REQ'D	ITEM NO.	PART NO.	DESCRIPTION	NO. REQ'D
1	5026	Hydrostatic Drive (RH, CW, 700-031)	1	F003	F003	1/4-28 Hex Nut	1
2	6244	Hydro Pulley	2	F004	F004	1/4-20 Keps Nut	4
3	5245	Idler Pulley (3")	2	F007	F007	5/16-18 Jam Nut	1
4	7241-1	Transmission Drive Pulley (3-1/4")*		F008	F008	5/16-24 Keps Nut	1
	7241	Jackshaft Drive Pulley (3-1/4")	1	F009	F009	5/16-18 Whiz Lock Nut	2
5	7232	Ground Drive Belt (A45)	1	F010	F010	5/16-24 ESNA Nut	2
6	5027	Lockout Mount	2	F012	F012	3/8-16 Keps Nut	3
7	5028-3	Complete Trans. Lockout Assm (Incl. Mt.)	2	F023	F023	10-24 ESNA Nut	2
8	5847	Plastic Tip, Lockout Lever	2	F027	F027	10-24 X 5/8 PPHMS	2
9	5057	Lockout Cam (Fits 5028-3)	2	F032	F032	1/4-20 X 3/4 Hex Bolt	2
10	5028	Lockout Lever Assembly	2	F034	F034	5/16-18 X 3/4 Hex Bolt	1
11	5025	Hydrostatic Drive (LH, CCW, 700-032)	1	F040	F040	3/8-16 X 1-1/2 Hex Bolt	1
12	7209	Bridge Assembly	1	F043	F043	3/8-16 X 3 Hex Bolt	2
13	5212	Transmission Control Arm	2	F049	F049	5/16 SAE Washer	4
14	7213	Control Rod, RH	1	F050	F050	1/4 SAE Washer	2
15	7221	Compression Spring, Transmission Control	2	F051	F051	3/8 SAE Washer	2
16	7390-1	Battery Pan	1	F060	F060	AN960516 Washer	1
17	5830	Grease Fitting	5	F063	F063	3/8 Internal Star Lock Washer	2
18	5450-2	Steering Lever, RH	1	F064	F064	1/8 X 1/2 Woodruff Key (#3)	2
19	5850	Handle Grip	2	F068	F068	1/8 X 1 Cotter Pin	1
20	5281-5	Clevis Pin (1/4 X 0.80)	1	F069	F069	3/32 X 1/2 Cotter Pin	1
21	5280	1/4" Clevis	1	F093	F093	5/16-18 X 1 Hex Bolt	2
22	5173	FSC Actuator Rod	1	F134	F134	AN960816L Washer	3
23	5172	FSC Actuator Bearing	1	F182	F182	5/8 X 1/4 X 1/8 Washer	2
24	5142-2	FSC Actuator Cam	1	F183	F183	.700 X .312 X .074 Washer	2
25	5141	FSC Friction Washer	2	F186	F186	5/64 X 1/2 Cotter Pin	1
26	5142-5	FSC Key	1	F192	F192	3/8-24 Self-Locking Nut	1
27	5140	FSC Friction Body Assembly	1	F193	F193	Washer, 3/8 Belleville Spring	3
28	5140-3	FSC Control Assembly	1				
29	8300	Chassis Frame (MT)	1				
30	5219	FSC Extension Spring	1				
31	5470-1	Speed Control Stop	1				
32	5463	Steering Lever Actuator	2				
33	5214-1	Bearing, Steering Lever Actuator	2				
34	5451-2	Steering Lever, LH	1				
35	7214	Control Rod, LH	1				
36	5217	Pivot Pin, Steering Lever	1				

* See Figure C4 For Earlier Application

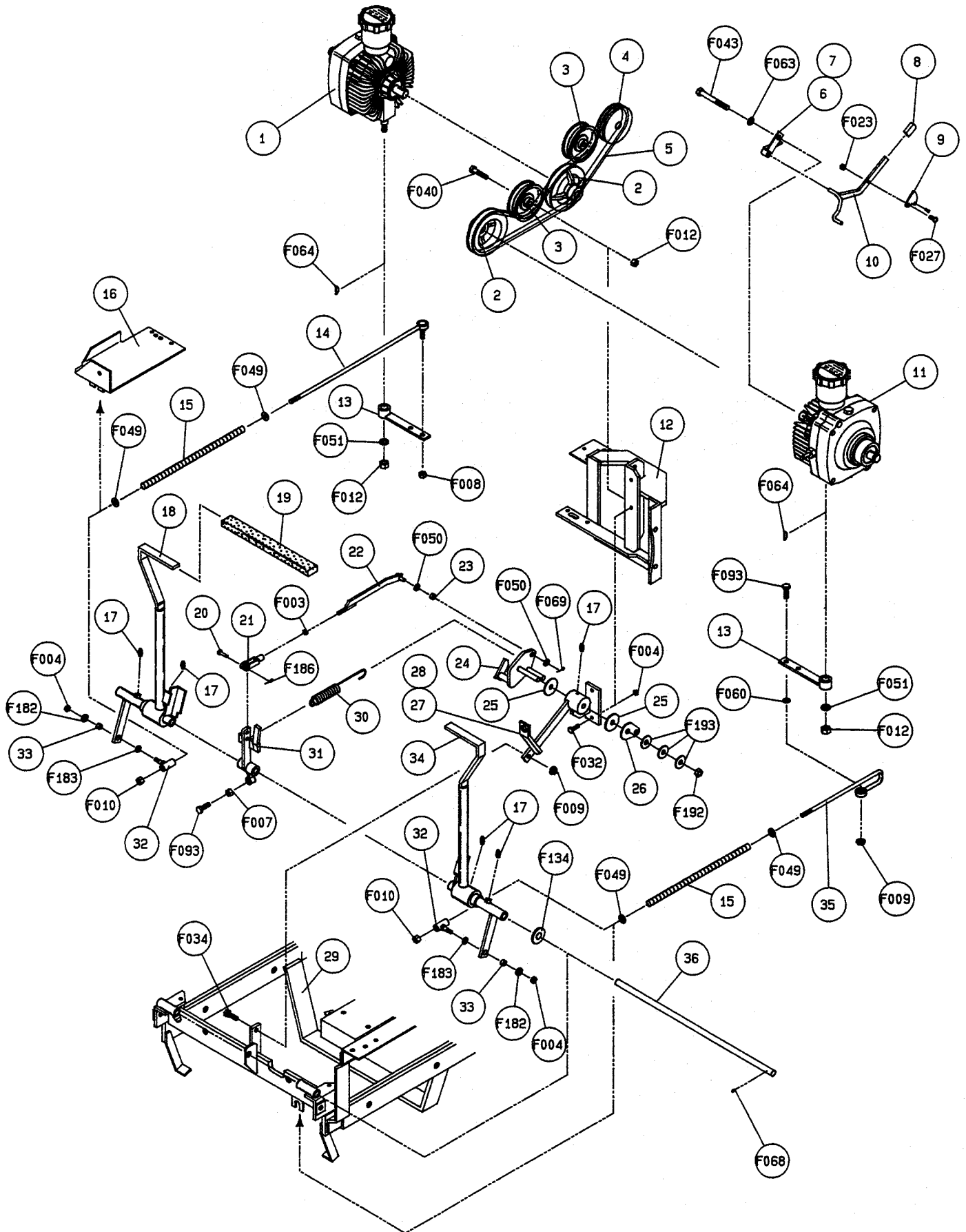


Figure C5 - Chassis Assembly (Steering Controls)

CHASSIS ASSEMBLY PARTS LIST (FIGURE C6)

ITEM NO.	PART NO.	DESCRIPTION	NO. REQ'D	ITEM NO.	PART NO.	DESCRIPTION	NO. REQ'D
1	7050	PTO Gearbox	1	F004	F004	1/4-20 Keps Nut	8
2	7234	Blower Belt, D/T (3VX280)*	1	F009	F009	5/16-18 Whiz Lock Nut	1
3	7238	Blower Drive Pulley*	1	F012	F012	3/8-16 Keps Nut	3
4	7245	Idler Pulley*	1	F034	F034	5/16-18 X 3/4 Hex Bolt	1
5	7239	Blower Pulley (3V)*	1	F038	F038	3/8-16 X 1 Hex Bolt	1
6	5595-2	Blower Intake Cover*	1	F040	F040	3/8-16 X 1-1/2 Hex Bolt	1
7	7275	Universal Joint Tube Assembly	1	F042	F042	3/8-16 X 2-1/4 Hex Bolt	1
8	6526	Blower Intake Tube (10 Inch)*	1	F054	F054	AN960616 Washer	1
9	6525-2	Blower Faceplate (10 Inch Blower)*	1	F067	F067	3/16 X 3/16 X 1 Key	1
10	6545	Blower Wheel (10 Inch Blower)*	1	F075	F075	5/16-18 X 1/2 SH Set Screw	1
11	5268	Bearing, 3/4" (Locking Collar)*	2	F114	F114	5/16-18 X 5/8 SH Set Screw	2
12	6543	Blower Housing Assembly (10 Inch)*	1	F132	F132	1/4-20 X 2-3/4 Hex Bolt	2
13	5819	Decal, Blower Maintenance*	1	F163	F163	5/16-18 X 3/4 SH Set Screw	1
14	8300	Chassis Frame (MT)	1	F205	F205	5/16-18 X 1/4 Set Screw, Knurl Pt	2
15	7527-2	Blower Mount Plate*	1	F217	F217	7/16-14 Hex Nut	1
16	7528	Skid Bar, Blower*	1	F218	F218	7/16 Split Lock Washer	3
17	5830-3	Grease Fitting (45 Degree)	2	F219	F219	7/16-14 X 1-1/4 Hex Bolt	3
18	8035	Wheel & Tire Assembly w/Bearing Race	2	F231	F231	1/4 X 3/4 Woodruff Key (#806)	1
	7035-1	Tail Wheel Tire Only (13 x 5.00-6)	0				
	8036	Tail Whl & Hub Assm (Incl. Bearing Race)	0				
	8037-2	Bearing Race	0				
19	8037	Bearing Cone, Tail Wheel	4				
20	8038-1	Spacer, Tail Wheel Axle	2				
21	8037-1	Seal, Tail Wheel	4				
22	8039	Nut, Tail Wheel Axle	2				
23	5267-1	Retainer Collar (1")	1				
24	5270-1	Pivot Bearing, Tail Wheel	2				
25	8038	Tail Wheel Axle	1				
26	7420	Tail Wheel Fork	1				
27	7201	Bearing Inner Race*	2				
28	7201-1	Needle Bearing*	2				
29	5221	Extension Spring*	1				
30	7364	Blower Belt Tightener Arm*	1				
31	5841	Retainer Washer*	1				
32	6542	Complete Blower Assembly (10 Inch)*	1				
33	6875	Decal, PTO Alignment Arrow	1				

* Used On GHS Model Only