

WALKER

Illustrated Parts Manual

T23



Beginning S/N: 187255
P/N 8000-55

KEY TO ABBREVIATIONS USED IN THIS MANUAL

<i>Abbreviation</i>	<i>What it Represents</i>
° (Dimension)	Degrees (Angle)
" (Dimension)	inches
(-)	Negative (Polarity)
(+)	Positive (Polarity)
-1 (as deck style designation)	Standard (Aluminum) Gear Drive Deck
-2 (as deck style designation)	Heavy Duty (Cast Iron) Gear Drive Deck
-3 (as deck style designation)	Belt Drive Deck
AT	All-Terrain
CCW	Counter-clockwise
CW	Clockwise
D	Diameter
DC	Deck, Collection (number refers to size in inches)
DM	Deck, Mulching (number refers to size in inches)
DR	Deck, Rear Discharge (number refers to size in inches)
DS	Deck, Side Discharge (number refers to size in inches)
DU	Garlock (Bearing)
ESNA (Fastener)	Nylon Insert Locknut
FSC	Forward Speed Control
GA	Gauge
gal.	gallon
GHS	Grass Handling System
GR (Fastener)	Grade
HD	Heavy Duty
HP	Horse Power
ID	Identification or Inside Diameter
L	Length
LH	Left Hand (orientated with operator on seat)
LP	Low Profile
mm (Dimension)	millimeters
MS (Fastener)	Machine Screw
NS (as part number)	Item is not sold by Walker Manufacturing
OD	Outside Diameter
oz.	ounce
PFH (Fastener)	Phillips Flat Head
P/N	Part Number
PPH (Fastener)	Phillips Pan Head
PTH (Fastener)	Phillips Truss Head
PTO	Power Take-Off
QKS	Quick Slide
qt.	quart
RH	Right Hand (orientated with operator on seat)
SAE (Fastener)	Society of Automotive Engineers
SBH (Fastener)	Socket Button Head (Bolt)
SFH (Fastener)	Slotted Flat Head
SHC (Fastener)	Socket Head Cap
SHL (Fastener)	Shoulder (Bolt)
SM (Fastener)	Sheet Metal (Screw)
S/N	Serial Number
SQH (Fastener)	Square Head
SS (Fastener)	Stainless Steel
ST (Fastener)	Self-Tapping (Screw)
TOPS™	Transmission Oil Performance System
V	Volts

NOTE: In some instances, combinations of abbreviations may be used (e.g. PPHMS - Phillips Pan Head Machine Screw).

ILLUSTRATED PARTS LIST

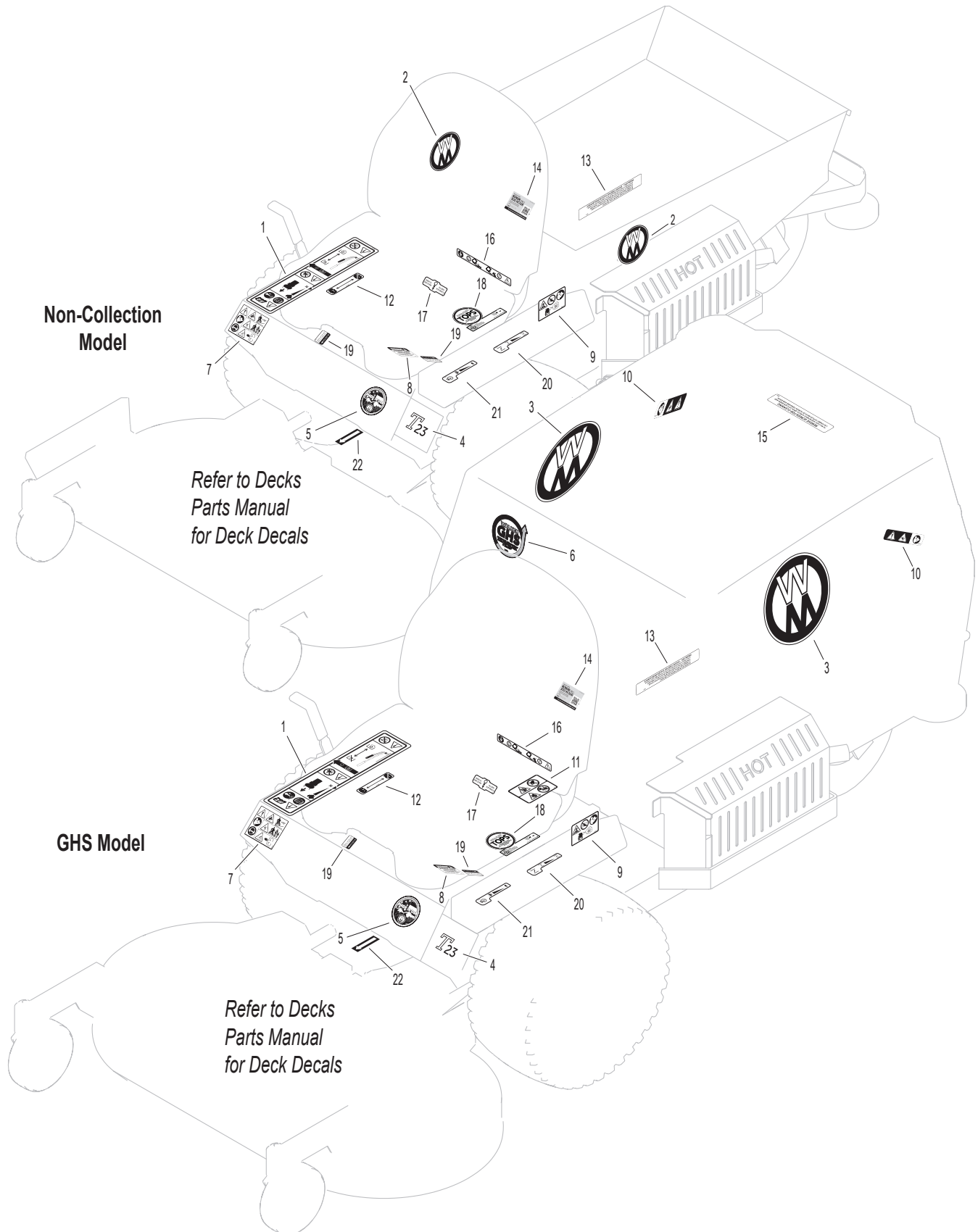
<i>Section of Tractor Covered</i>	<i>Page</i>	<i>Section of Tractor Covered</i>	<i>Page</i>
<hr/>		<hr/>	
Decals		Electrical Components	
Tractor Decals	2	Electrical Assembly	32
Body / Chassis Assemblies		Electrical Assemblies (GHS 10.0 Bushel Components).....	34
Body / Chassis Assembly (GHS Models)	4	Maintenance	
Rear Body Assembly (GHS Models)	6	Lubrication Points	36
Body Assembly (Non-Collection Models).....	8	Wiring Schematic.....	38
Tractor Components		Maintenance And Service Record Sheet.....	39
Main Component Power Transmission (GHS Models)	10	Warranty	
(Non-Collection Models).....	12	Limited Warranty	41
Engine Group.....	14		
Hydrostatic Ground Drive Assemblies.....	16		
Steering Control Assemblies.....	18		
Throttle & Choke Control Assemblies.....	20		
Parking Brake Assembly	22		
GHS Group	24		
GHS Powerfil® Assembly (10.0)	26		
GHS 10.0 Bushel Catcher Assembly.....	28		
Instrument Panel Assembly	30		

TRACTOR DECALS

ITEM NO.	PART NO.	DESCRIPTION	LOCATION	NO. REQ'D. GHS	NO. REQ'D NON-COLLECTION
Walker Product and Operation Decals					
1	8600-33	RH Fender	Body, RH Side Near Seat	1	1
2	5800	Walker Mower (4" Round)	Utility Bed (one on each side)	0	2
3	5800-22	Walker (8" Round)	10.0 Bushel Catcher (one on each side)	2	0
4	8821-10	Decal, T23	Body	1	1
5	5856-1	Made in USA	Body	1	1
6	5813-2	Decal, 4" Grass-Pak Powerfil®	Powerfil® Cover Plate	1	0
Danger Decals Warning Decals Caution Decals					
7	8600-34	Warning, Read Manual	Body	1	1
8	5810-3	Decal, Hydro Warning	LH Gear Axle Drive Assembly	1	1
9	8600-12	Danger, Engine Exhaust	Front Body, LH Side	1	1
10	8600-10	Danger, Pinch Point	10.0 Bushel Catcher Mounting Frame Assembly (one on each side)	2	0
11	8600-4	Danger, Rotating Blower Blades	Body, Near Body Chute	1	0
Maintenance Decals					
12	8600-30	Parking Brake	Body, RH Side below Seat	1	1
13	5855	Important, Engine Cooling	Engine	1	1
14	6895-103	Kohler 300 Hour Oil	Engine	1	1
15	5869	Removable Screen	10.0 Bushel Catcher Removable Screen	1	0
16	8600-16	Front Body Closure	Rear Cross Member, Body	1	1
17	7827	Oil Level	Jackshaft Support	1	1
18	5024-24	Decal, TOPS™	Oil Reservoir Tank	1	1
19	5810-1	Axle Oil Level	Gear Axle Drive Assemblies (one on each)	2	2
20	8600-32	Choke	Body, LH Side	1	1
21	8600-31	Throttle	Body, LH Side	1	1
22	6875	PTO Alignment Arrow	Universal Joint Tube Assembly	1	1

NOTE: All parts requiring decals are shipped with decals applied.

TRACTOR DECALS

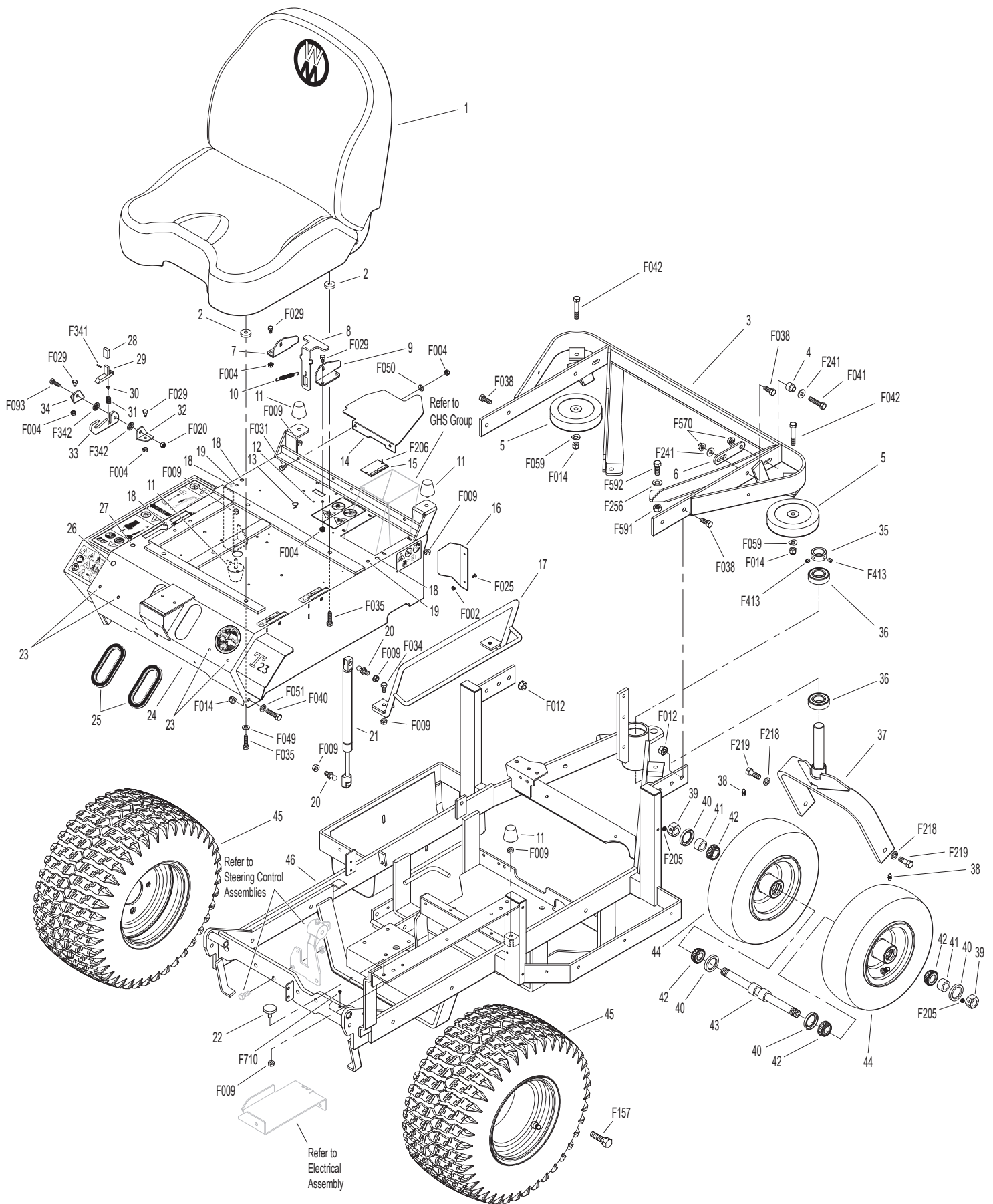


BODY / CHASSIS ASSEMBLY (GHS MODELS)

ITEM NO.	PART NO.	DESCRIPTION	NO. REQ'D	ITEM NO.	PART NO.	DESCRIPTION	NO. REQ'D
Seat Assembly				44	8035-1	Wheel & Tire Assembly (13 x 4.5-6) (With Bearing Race)	2
1	6104-31	Comfort Seat	1				
2	2845-3	Aluminum Washer (5/16 x 1 x 1/4)	4	8035-3	Tail Wheel Tire (13 x 4.5-6 Ply)	**	
Rear Bumper Assembly (GHS Models Only)*				8036	Wheel & Hub (6 x 3.25) (Includes Items # 38 & Bearing Race)	**	
3	7516	GHS Rear Bumper	1	8037-2	Bearing Race	**	
4	7516-5	Catcher Pivot Bushing	2	7420-20	Dual Tail Wheel & Tire Assembly (Includes Items # 39-44)	**	
5	5162	Roller Wheel (5" Rubber)	2				
6	7517-3	Catcher Pivot Plate	2	45	7070-2	Wheel & Tire Assembly (18 x 9.50-8)	2
Body Assembly				7070-3	Drive Tire (18 x 9.50-8)	**	
7	7383-6	Body Latch Bracket, RH	1	5070-4	Wide Wheel (8 x 7)	**	
8	7383-5	Body Latch Lever	1	46	8300-20	Chassis Frame (T / 5.0 gal.)	1
9	7383-7	Body Latch Bracket, LH	1	Fasteners			
10	7222	Extension Spring (1/4 x 3)	1	F002	10-24 Keps Nut	2	
11	5845	Rubber Bumper (1.50 x 1.25)	4	F004	1/4-20 Keps Nut	8	
12	5989-12	Dome Plug (3/16)	1	F009	5/16-18 Whiz Locknut	11	
13	5989-10	Dome Plug (9/16)	1	F012	3/8-16 Keps Nut	4	
14	8101-8	Front Body Engine Guard	1	F014	3/8-16 ESNA Nut	4	
15	NS	Body ID Plate	1	F020	5/16-18 ESNA Nut	1	
16	8118	Heat Deflector	1	F025	10-24 x 3/8 PPHMS	2	
17	7422	Panel Guard	1	F029	1/4-20 x 1/2 Hex Bolt	6	
18	5989-4	Dome Plug (3/8)	4	F031	1/4-20 x 5/8 Hex Bolt	2	
19	5989-3	Dome Plug (5/16)	2	F034	5/16-18 x 3/4 Hex Bolt	2	
20	5146	10mm Ball Stud	2	F035	5/16-18 x 1-1/4 Hex Bolt	4	
21	2145	Gas Spring Assembly (Includes Item # 20)	1	F038	3/8-16 x 1 Hex Bolt	6	
22	7844	Rubber Bumper (1.25 x .250)	1	F040	3/8-16 x 1-1/2 Hex Bolt	2	
23	5989-9	Dome Plug (1/4)	4	F041	3/8-16 x 1-3/4 Hex Bolt	2	
24	8100-15	Front Body	1	F042	3/8-16 x 2-1/4 Hex Bolt	2	
25	5180	Edge Molding, Lever Opening	2	F049	5/16 SAE Washer	2	
26	5989-55	Dome Plug (1/2)	1	F050	1/4 SAE Washer	2	
27	5989-5	Dome Plug (7/16)	1	F051	3/8 SAE Washer	2	
Tilt-Up Latch Assembly***				F059	3/8 Wave Spring Washer	2	
28	5847	Plastic Tip	1	F093	5/16-18 x 1 Hex Bolt	1	
29	5744-20	Spring Arm, Tilt-Up Latch	1	F157	1/2-20 x 1-1/4 Wheel Lug Bolt	8	
30	5744-10	Spring Pivot Bushing	1	F205	5/16-18 x 1/4 Set Screw, Knurl Point	2	
31	5744-15	Compression Spring (3/8 x 5/8)	1	F206	#2 x 3/16 Drive Pin	2	
32	5744-13	Mount Angle, LH	1	F218	7/16 Split Lock Washer	2	
33	5744-12	Hook, Tilt-Up Latch	1	F219	7/16-14 x 1-1/4 Hex Bolt	2	
34	5744-14	Mount Angle, RH	1	F241	.375 x .875 x .10 Washer	4	
Chassis Assembly				F256	7/16 SAE Washer	2	
35	5267-1	Retainer Collar (1") (Includes Item # F413)	1	F341	Coil Roll Pin (7/64 x 9/16)	1	
36	5270-1	Ball Bearing	2	F342	5/16 Conical Washer	2	
37	7420	Tail Wheel Fork	1	F413	5/16-24 x 5/16 Set Screw	2	
38	5830-3	Grease Fitting (45 Degree)	2	F570	3/8-16 Flange Top Lock Nut	4	
39	8039	Nut, Wheel Axle	2	F591	7/16-14 Flange Top Lock Nut	2	
40	8768-2	Seal, Reverse Lip	4	F592	7/16-14 x 1-1/8 Hex Bolt GR 5	2	
41	8038-1	Spacer, Wheel Axle (.750 ID x 1.125 OD)	2	F710	1/4-28 x 1/4 Set Screw (Knurled Cup), SS	1	
42	8037	Bearing Cone (3/4 ID)	4	* Rear Bumper Assembly for SD Models is not shown here. Refer to BODY ASSEMBLY (SD MODELS) , Page 8.			
43	8038	Tail Wheel Axle (3/4 x 10-3/8)	1	** Service Part Only			

*** Complete Tilt-Up Latch Assembly Kit available by ordering kit # 5744-5.

BODY / CHASSIS ASSEMBLY (GHS MODELS)



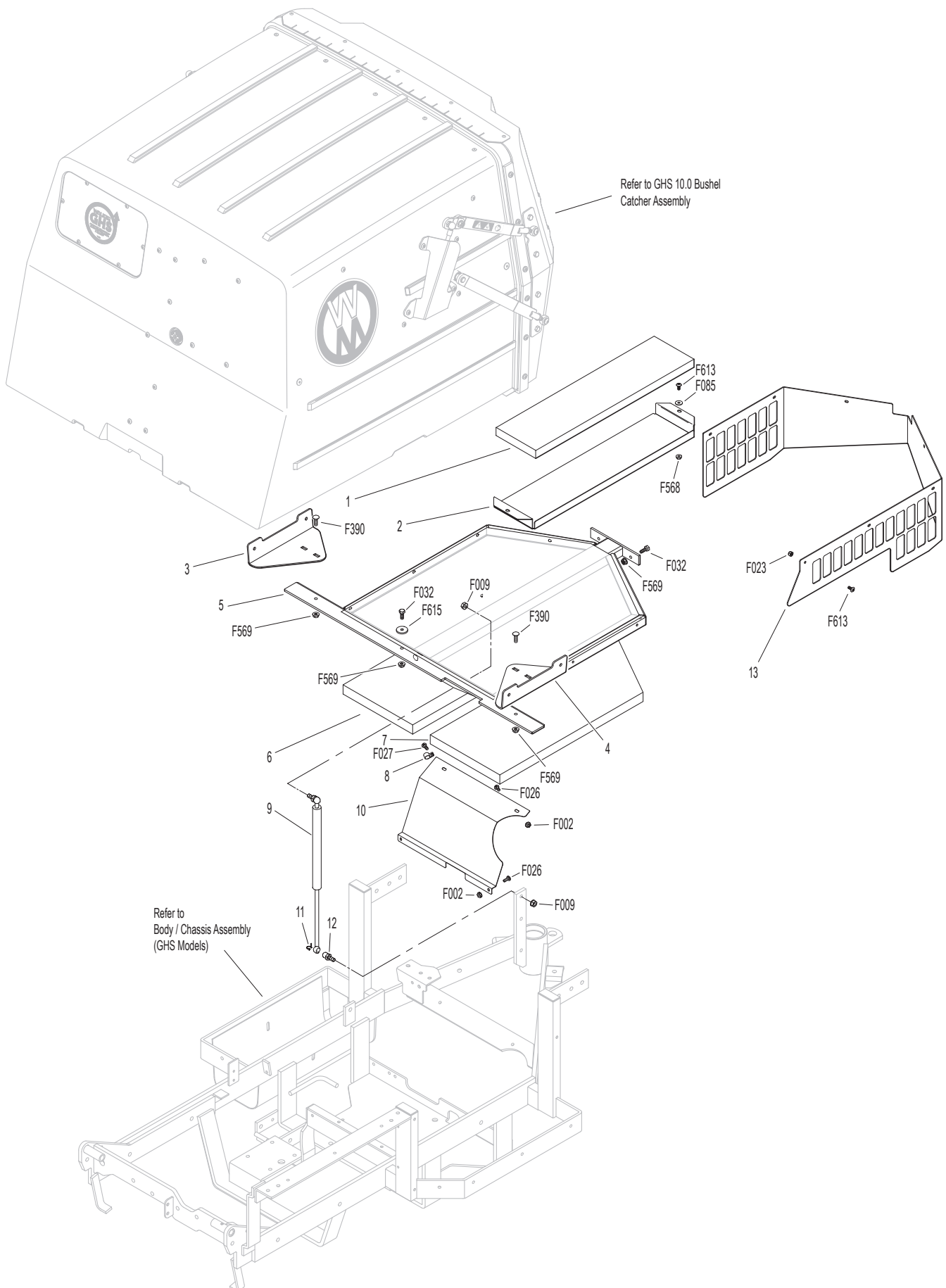
Model T23 Beginning S/N 187255
 Use only genuine **Walker®** replacement parts.

REAR BODY ASSEMBLY (GHS MODELS)

ITEM NO.	PART NO.	DESCRIPTION	NO. REQ'D	ITEM NO.	PART NO.	DESCRIPTION	NO. REQ'D
Rear Body Assembly (GHS Models)				Fasteners			
1	7190-3	Insulation Foam Pad (5 x 20)	1	F002		10-24 Keps Nut	4
2	8082	Heat Shield	1	F009		5/16-18 Whiz Locknut	2
3	8515-18	Catcher Handle Plate, RH	1	F023		10-24 ESNA Nut	7
4	8515-17	Catcher Handle Plate, LH	1	F026		10-24 x 1/2 PPHMS	3
5	8615-4	Catcher Support Frame, 10.0	1	F027		10-24 x 5/8 PPHMS	1
6	7190-2	Insulation Foam Pad, RH	1	F032		1/4-20 x 3/4 Hex Bolt	3
7	7190-1	Insulation Foam Pad, LH	1	F085		3/16 Rivet Backup Washer	2
8	5832	Cable Clamp (1/2)	1	F390		1/4-20 x 7/8 Carriage Bolt	2
9	7145	Gas Spring Assembly (Includes Items # 11 & 12)	1	F568		10-24 Flange Top Lock Nut	2
10	8389-5	Splash Guard	1	F569		1/4-20 Flange Top Lock Nut	5
11	7147	Spring Clip	2	F613		10-24 x 1/2 Truss Head Torx	9
12	7146	13mm Ball Stud	2	F615		1.0 x .255 x .125 Washer	1
13	8105-10	Rear Body Panel	1				

NOTE: Rear Bumper Assembly for GHS Models is not shown here. Refer to **BODY / CHASSIS ASSEMBLY (GHS MODELS)**, Page 4.

REAR BODY ASSEMBLY (GHS MODELS)



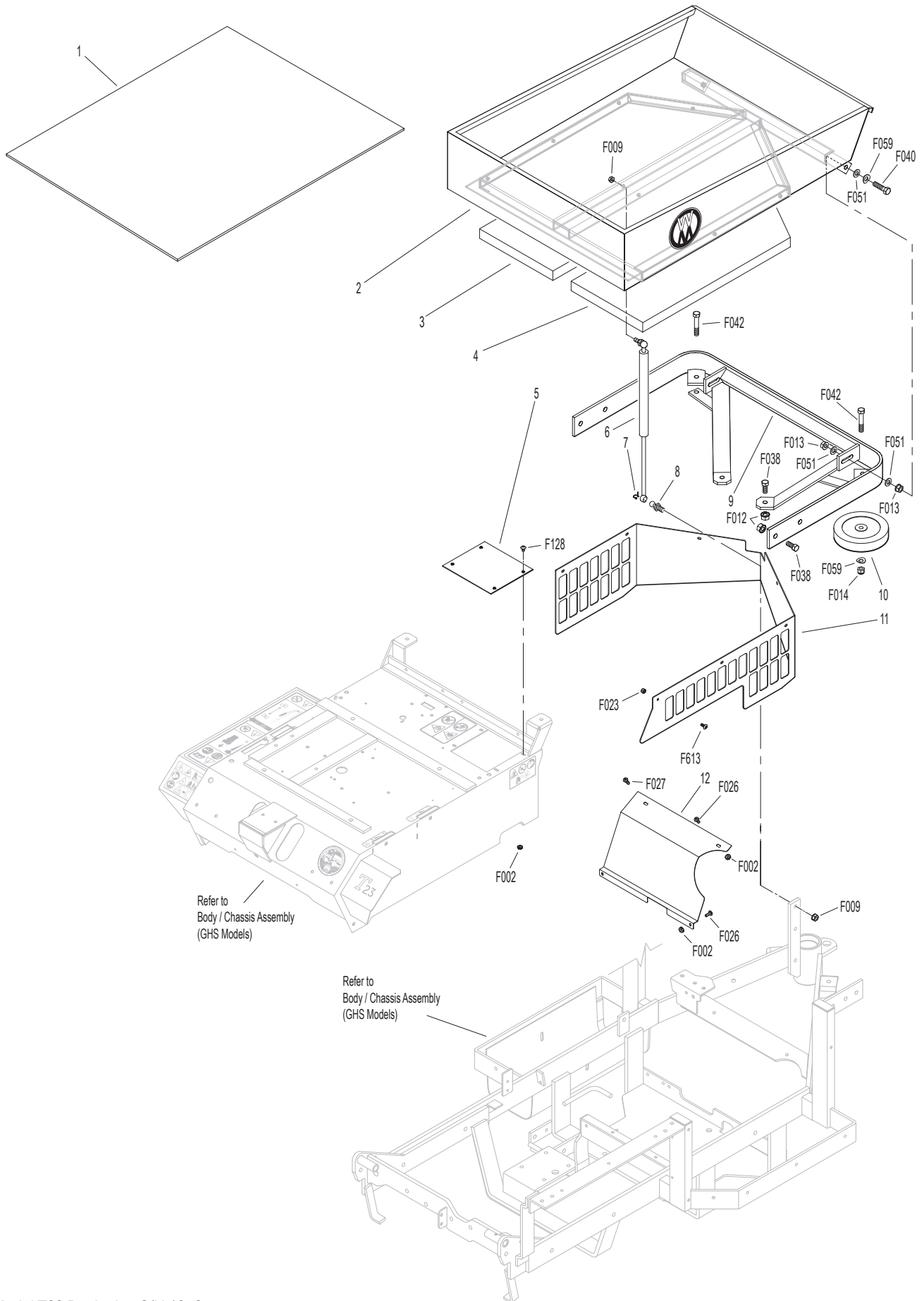
Model T23 Beginning S/N 187255
 Use only genuine **Walker**® replacement parts.

BODY ASSEMBLY (NON-COLLECTION MODELS)

ITEM NO.	PART NO.	DESCRIPTION	NO. REQ'D	ITEM NO.	PART NO.	DESCRIPTION	NO. REQ'D
Utility Bed Assembly				Fasteners			
1	8650-10	Bed Liner (21.5 x 27.5)	1	F002		10-24 Keps Nut	8
2	8650-2	Utility Bed (Includes Item # 1)	1	F009		5/16-18 Whiz Locknut	2
3	7190-2	Insulation Foam Pad, RH	1	F012		3/8-16 Keps Nut	6
4	7190-1	Insulation Foam Pad, LH	1	F013		3/8-16 Whiz Locknut	4
Rear Bumper Assembly (SD Models)				F014		3/8-16 ESNA Nut	2
5	7153-3	Cover Plate	1	F023		10-24 ESNA Nut	7
6	7145	Gas Spring Assembly (Includes Items # 7 & 8)	1	F026		10-24 x 1/2 PPHMS	3
7	7147	Spring Clip	2	F027		10-24 x 5/8 PPHMS	1
8	7146	13mm Ball Stud	2	F038		3/8-16 x 1 Hex Bolt	6
9	7521	Rear Bumper	1	F040		3/8-16 x 1-1/2 Hex Bolt	2
10	5162	Roller Wheel (5" Rubber)	2	F042		3/8-16 x 2-1/4 Hex Bolt	2
11	8105-10	Rear Body Panel	1	F051		3/8 SAE Washer	6
12	8389-5	Splash Guard	1	F059		3/8 Wave Spring Washer	4
				F128		10-24 x 3/8 PTHMS	4
				F613		10-24 x 1/2 Truss Head Torx	7

NOTE: Refer to **BODY / CHASSIS ASSEMBLY (GHS MODELS)**,
Page 4 for all common parts used on both models.

BODY ASSEMBLY (NON-COLLECTION MODELS)



Model T23 Beginning S/N 187255
 Use only genuine **Walker**® replacement parts.

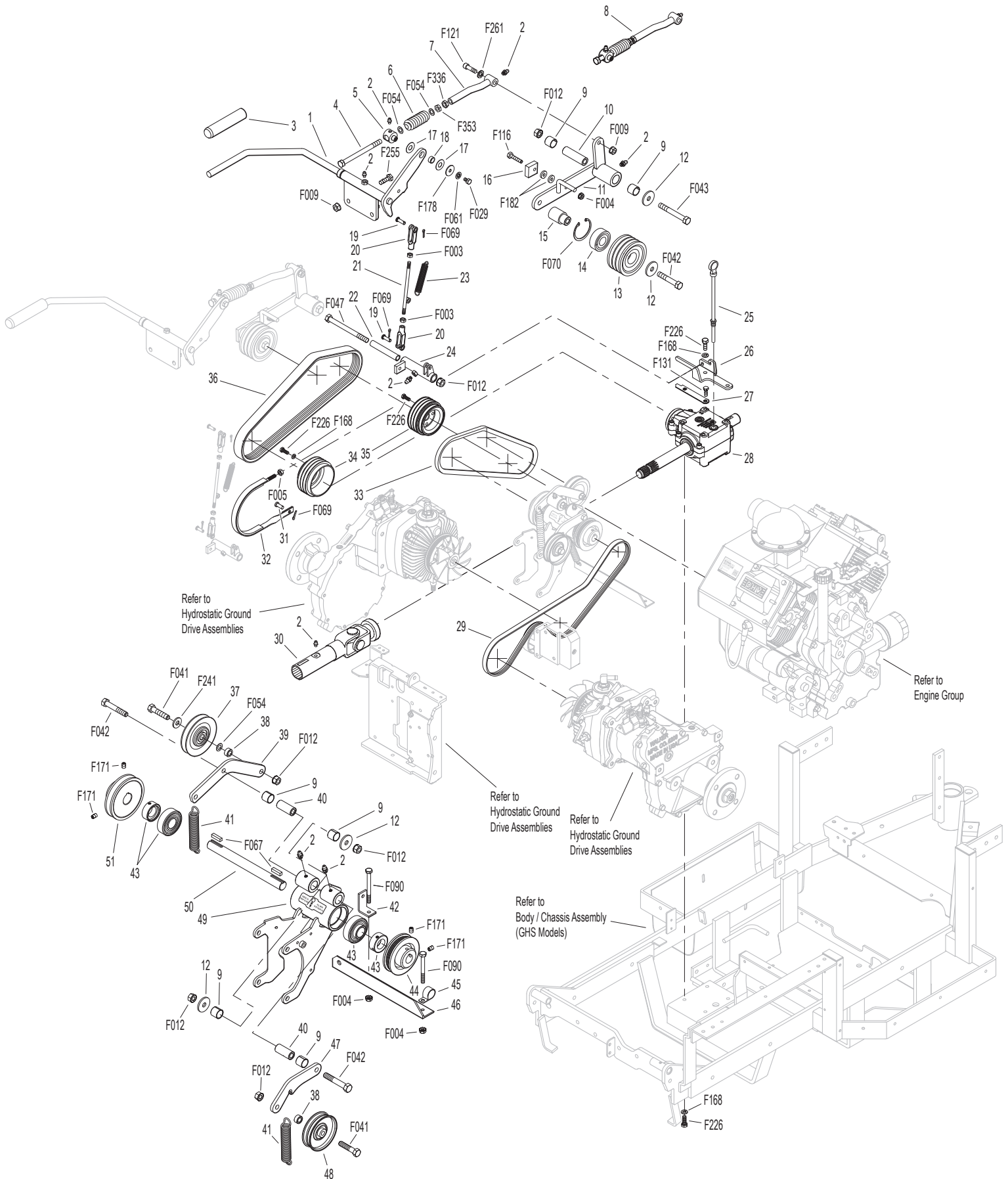
MAIN COMPONENT POWER TRANSMISSION (GHS MODELS)

ITEM NO.	PART NO.	DESCRIPTION	NO. REQ'D	ITEM NO.	PART NO.	DESCRIPTION	NO. REQ'D
Clutch Lever Assembly				40	7201-4	Inner Race (1-1/2)	2
1	8358-3	Clutch Lever (Includes Items # 2 & 3)	1	41	5221-1	Extension Spring (3/4 x 5)	2
2	5830	Grease Fitting	8	42	8539	Starter Relay Mount	1
3	4850	Handle Grip, Black	1	43	5268	Bearing W/Collar (3/4)	2
4	7303-10	Clutch Actuator Bolt (3/8)	1	44	7241-2	Transmission Drive Pulley (3-1/4MV) (Includes Items # F067 & F171)	1
5	7380-5	Knuckle Joint (3/8 ID)	1	45	7833	Cable Clamp (7/8 x 1/4)	1
6	7226-10	Compression Spring (3/4 x 2-1/2)	1	46	8349	Transmission Belt Tightener Arm	1
7	8130-5	Pushrod, Clutch Actuator (Threaded Tube) (Includes Item # 2)	1	47	5245	Idler Pulley (3")	1
8	8130-10	Clutch Actuator Rod Assembly (Includes Items # 2, 4-7, F054, F336 & F353)	1	48	8394-6	Hydro Jackshaft Mount Assembly (Includes Items # 2, 9, 12, 40, 43, 49, F012, F042, F067 & F171)	1
9	7201-3	Fiberglide Bearing	6	49	8273-1	Jackshaft (3/4 x 8-1/8)	1
10	7201-5	Inner Race (2-1/4)	1	50	7240-7	Jackshaft Drive Pulley (3.3/3V) (Includes Items # F067 & F171)	1
11	8368	PTO Belt Tightener	1	Fasteners			
12	5841	Retainer Washer (3/8 x 1-1/4)	4	F003	1/4-28 Hex Nut		2
13	8243-1	Clutch Idler Pulley	1	F004	1/4-20 Keps Nut		3
	8243	Clutch Idler Pulley Assembly (Includes Items # 13-15 & F070)	*	F005	1/4-20 ESNA Nut		1
14	5265	Bearing (3/4)	1	F009	5/16-18 Whiz Locknut		3
15	8243-3	Hub, Idler Pulley	1	F012	3/8-16 Keps Nut		6
16	8375	PTO Belt Tightener Stop	1	F029	1/4-20 x 1/2 Hex Bolt		1
17	7377	Plastic Washer (1 x .438 x .025)	2	F041	3/8-16 x 1-3/4 Hex Bolt		2
18	7378	Pivot Bearing (7/16 x 9/16)	1	F042	3/8-16 x 2-1/4 Hex Bolt		3
19	5281-5	Clevis Pin (1/4 x 0.80)	2	F043	3/8-16 x 3 Hex Bolt		1
20	5280	Clevis (1/4)	2	F047	3/8-16 x 4-1/2 Hex Bolt		1
21	8305	Brake Actuator Rod	1	F054	AN960616 Washer		3
22	8370	Bearing, Brake Actuator	1	F061	1/4 Internal Star Lock Washer		1
23	8250	Brake Spring (1/2 x 2-1/2)	1	F067	3/16 x 3/16 x 1 Key		2
24	8369	Brake Actuator (Includes Items # 2 & 22)	1	F069	3/32 x 1/2 Cotter Pin		3
PTO Drive Shaft Assembly				F070	1-3/4 Internal Snap Ring		1
25	7050-1	Dipstick, Gearbox	1	F090	1/4-20 x 2-1/2 Hex Bolt		1
26	8371-1	Mount Bracket, Brake Band	1	F116	1/4-20 x 1-1/4 Hex Bolt		1
27	8377	Brake Band Guide	1	F121	5/16-18 x 3/8 x 1 SHL Bolt		1
28	8050-11	PTO Gearbox / Flange Pulley	1	F131	5/16-18 x 1/2 Hex Bolt		2
29	7248	Ground Drive Belt, Micro-V	1	F132	1/4-20 x 2-3/4 Hex Bolt		1
30	7275-16	Universal Joint Tube Assembly / Spline	1	F168	5/16 Split Lock Washer		10
31	7523-2	Clevis Pin W/Hole (1/4 x 5/8)	1	F171	5/16-18 x 3/8 Set Screw		4
32	8304	Brake Band (14-1/2)	1	F178	1/4 x 1 Fender Washer		1
33	6250-1	Drive Belt (3VX370)	1	F182	1/4 x 5/8 x 1/8 Washer		2
34	7236-1	PTO Drive Pulley (4-1/2/3V) (Includes Items # F168 & F226)	1	F226	5/16-18 x 7/8 Hex Bolt		14
35	8237-3	Engine Pulley (4/3.8/3V) (Includes Item # F226)	1	F241	.375 x .875 x .10 Washer		1
36	8230	Engine PTO Belt	1	F255	5/16-18 x 1-1/2 Hex Bolt		2
Jackshaft Assembly				F261	AN960616L Washer		1
37	7245-1	Idler Pulley (3/8 Groove)	1	F336	3/8-16 Jam Nut		1
38	6325-2	Spacer Bushing (5/16)	2	F353	3/8-16 ESNA LP Nut		1
39	8349-4	Idler Arm	1	* Service Part Only			

MAIN COMPONENT POWER TRANSMISSION (NON-COLLECTION MODELS)

ITEM NO.	PART NO.	DESCRIPTION	NO. REQ'D	ITEM NO.	PART NO.	DESCRIPTION	NO. REQ'D
Clutch Lever Assembly				40	7201-4	Inner Race (1-1/2)	2
				41	5221-1	Extension Spring (3/4 x 5)	2
1	8358-3	Clutch Lever (Includes Items # 2 & 3)	1	42	8539	Starter Relay Mount	1
2	5830	Grease Fitting	8	43	5268	Bearing W/Collar (3/4)	2
3	4850	Handle Grip, Black	1	44	7241-2	Transmission Drive Pulley (3-1/4MV)	1
4	7303-10	Clutch Actuator Bolt (3/8)	1			(Includes Items # F067 & F171)	
5	7380-5	Knuckle Joint (3/8 ID)	1	45	7833	Cable Clamp (7/8 x 1/4)	1
6	7226-10	Compression Spring (3/4 x 2-1/2)	1	46	7394-6	Idler Pulley Spring Mount	1
7	8130-5	Pushrod, Clutch Actuator (Threaded Tube)	1	47	8349	Transmission Belt Tightener Arm	1
		(Includes Item # 2)		48	5245	Idler Pulley (3")	1
8	8130-10	Clutch Actuator Rod Assembly	1	49	8394-6	Hydro Jackshaft Mount Assembly	1
		(Includes Items # 2, 4-7, F054, F336 & F353)				(Includes Items # 2, 9, 12, 40, 43, 50, F012, F042, F067 & F171)	
9	7201-3	Fiberglide Bearing	6	50	8273-1	Jackshaft (3/4 x 8-1/8)	1
10	7201-5	Inner Race (2-1/4)	1	51	7240-7	Jackshaft Drive Pulley (3.3/3V)	1
11	8368	PTO Belt Tightener	1			(Includes Items # F067 & F171)	
12	5841	Retainer Washer (3/8 x 1-1/4)	4	Fasteners			
13	8243-1	Clutch Idler Pulley	1		F003	1/4-28 Hex Nut	2
	8243	Clutch Idler Pulley Assembly	*		F004	1/4-20 Keps Nut	3
		(Includes Items # 13-15 & F070)			F005	1/4-20 ESNA Nut	1
14	5265	Bearing (3/4)	1		F009	5/16-18 Whiz Locknut	3
15	8243-3	Hub, Idler Pulley	1		F012	3/8-16 Keps Nut	6
16	8375	PTO Belt Tightener Stop	1		F029	1/4-20 x 1/2 Hex Bolt	1
17	7377	Plastic Washer (1 x .438 x .025)	2		F041	3/8-16 x 1-3/4 Hex Bolt	2
18	7378	Pivot Bearing (7/16 x 9/16)	1		F042	3/8-16 x 2-1/4 Hex Bolt	3
19	5281-5	Clevis Pin (1/4 x 0.80)	2		F043	3/8-16 x 3 Hex Bolt	1
20	5280	Clevis (1/4)	2		F047	3/8-16 x 4-1/2 Hex Bolt	1
21	8305	Brake Actuator Rod	1		F054	AN960616 Washer	3
22	8370	Bearing, Brake Actuator	1		F061	1/4 Internal Star Lock Washer	1
23	8250	Brake Spring (1/2 x 2-1/2)	1		F067	3/16 x 3/16 x 1 Key	2
24	8369	Brake Actuator (Includes Items # 2 & 22)	1		F069	3/32 x 1/2 Cotter Pin	3
					F070	1-3/4 Internal Snap Ring	1
PTO Drive Shaft Assembly					F090	1/4-20 x 2-1/2 Hex Bolt	2
25	7050-1	Dipstick, Gearbox	1		F116	1/4-20 x 1-1/4 Hex Bolt	1
26	8371-1	Mount Bracket, Brake Band	1		F121	5/16-18 x 3/8 x 1 SHL Bolt	1
27	8377	Brake Band Guide	1		F131	5/16-18 x 1/2 Hex Bolt	2
28	8050-11	PTO Gearbox / Flange Pulley	1		F168	5/16 Split Lock Washer	10
29	7248	Ground Drive Belt, Micro-V	1		F171	5/16-18 x 3/8 Set Screw	4
30	7275-16	Universal Joint Tube Assembly / Spine	1		F178	1/4 x 1 Fender Washer	1
31	7523-2	Clevis Pin W/Hole (1/4 x 5/8)	1		F182	1/4 x 5/8 x 1/8 Washer	2
32	8304	Brake Band (14-1/2)	1		F226	5/16-18 x 7/8 Hex Bolt	14
33	6250-1	Drive Belt (3VX370)	1		F241	.375 x .875 x .10 Washer	1
34	7236-1	PTO Drive Pulley (4-1/2/3V)	1		F255	5/16-18 x 1-1/2 Hex Bolt	2
		(Includes Items # F168 & F226)			F261	AN960616L Washer	1
35	8237-3	Engine Pulley (4/3.8/3V)	1		F336	3/8-16 Jam Nut	1
		(Includes Item # F226)			F353	3/8-16 ESNA LP Nut	1
36	8230	Engine PTO Belt	1				
Jackshaft Assembly				* Service Part Only			
37	7245-1	Idler Pulley (3/8 Groove)	1				
38	6325-2	Spacer Bushing (5/16)	2				
39	8349-4	Idler Arm	1				

MAIN COMPONENT POWER TRANSMISSION (NON-COLLECTION MODELS)

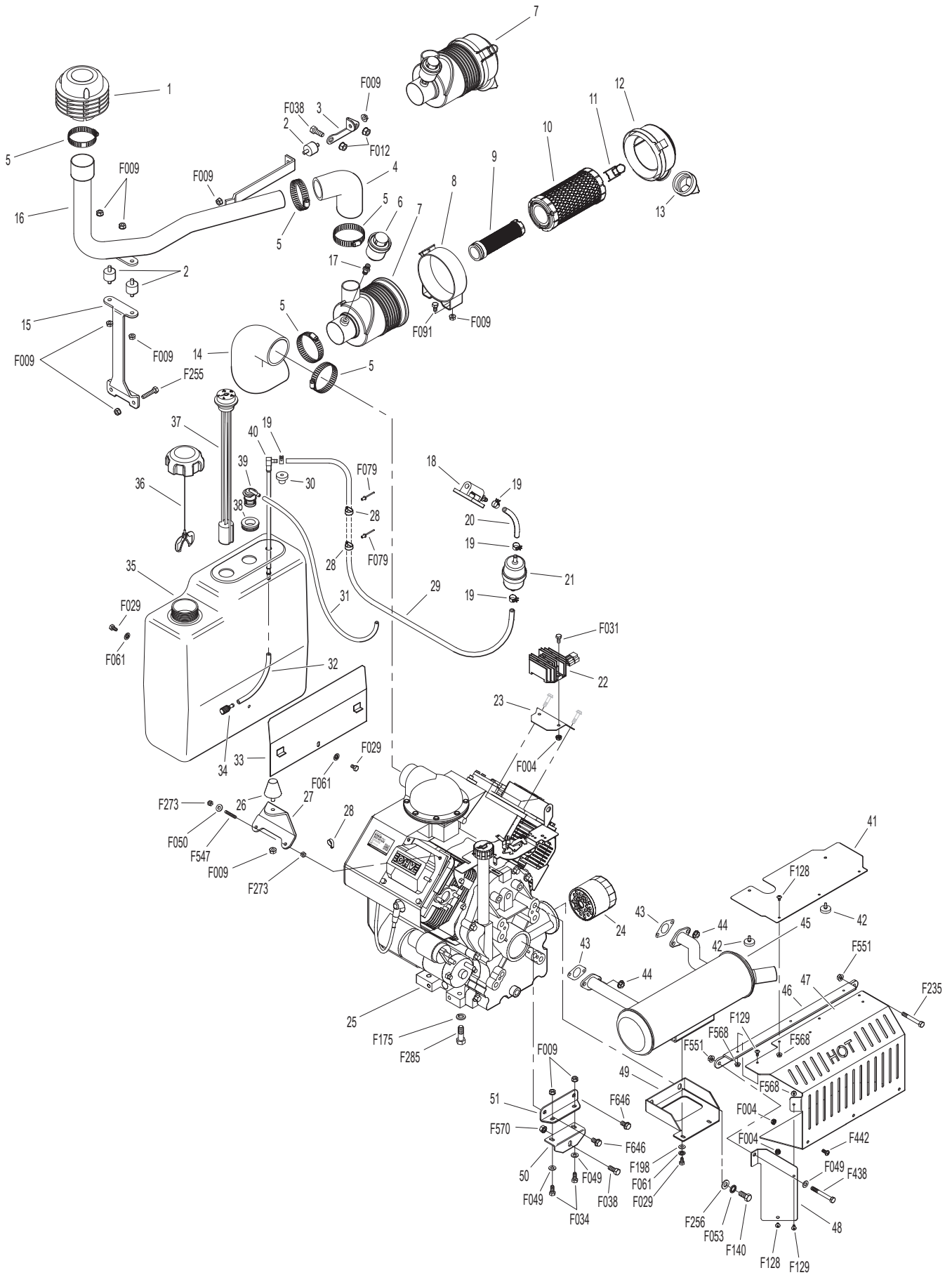


Model T23 Beginning S/N 187255
 Use only genuine **Walker®** replacement parts.

ENGINE GROUP

ITEM NO.	PART NO.	DESCRIPTION	NO. REQ'D	ITEM NO.	PART NO.	DESCRIPTION	NO. REQ'D
Precleaner Assembly				45	8013-9	Muffler	1
1	7026-3	Remote Precleaner (Includes Item # 5)	1	46	8013-44	Upright Support	1
2	7440	Shock Mount (1 x 3/4)	3	47	8013-45	Heat Shield, Muffler	1
3	7028-20	Rear Precleaner Mount	1	48	8013-43	Muffler Heat Shield Endcap	1
4	7032	Elbow, Precleaner	1	49	8013-18	Muffler Brace	1
5	7840-5	Hose Clamp (1.56 - 2.50)	5	50	8021-2	Engine Brace, Chassis	1
6	5091-18	Air Flow Indicator (Vacuum 15" H2O)	1	51	8021-1	Engine Brace	1
7	5088-12	Air Cleaner Assembly (Includes Items # 6, 9-13 & 17)	*	Fasteners			
8	5088-3	Air Cleaner Band	1	F004	1/4-20 Keps Nut		6
9	5090-3	Safety Filter Insert	1	F009	5/16-18 Whiz Locknut		13
10	5090-1	Air Cleaner Cartridge	1	F012	3/8-16 Keps Nut		2
11	5088-5	Air Cleaner Draw Latch	2	F029	1/4-20 x 1/2 Hex Bolt		4
12	5088-11	Air Cleaner Cap (Includes Item # 11)	1	F031	1/4-20 x 5/8 Hex Bolt		2
13	5090-2	Vacuator Valve	1	F034	5/16-18 x 3/4 Hex Bolt		2
14	8026-10	Air Hose, Cleaner	1	F038	3/8-16 x 1 Hex Bolt		3
15	7031-3	Tube Support Arm	1	F049	5/16 SAE Washer		3
16	7028-6	Precleaner Tube (1-3/4)	1	F050	1/4 SAE Washer		2
17	5091-4	Indicator Nipple	1	F053	7/16 Int. Star Lock Washer		2
Engine Assembly				F061	1/4 Internal Star Lock Washer		4
18	NS	Fuel Pump (Kohler)	1	F079	A/A66D Aluminum Pop Rivet		2
19	5879-3	Hose Clamp (1/2)	4	F091	5/16-18 x 5/8 Hex Bolt		2
20	NS	Fuel Line, Engine (Kohler)	*	F128	10-24 x 3/8 PTHMS		4
21	5020	Fuel Filter	*	F129	10-24 x 1/2 PTHMS		4
22	NS	Rectifier	*	F140	7/16-14 x 1 Hex Bolt		2
23	8016-4	Regulator Mount	1	F175	1/2 Split Lock Washer		4
24	NS	Oil Filter	1***	F198	.250 x .625 x .040 Washer, SS		2
25	NS	23 HP Kohler Engine	1	F235	5/16-18 x 2-1/2 Hex Bolt		1
26	5845	Rubber Bumper (1.50 x 1.25)	1	F255	5/16-18 x 1-1/2 Hex Bolt		2
27	8010-2	Engine Bumper Mount	1	F256	7/16 SAE Washer		2
28	5832	Cable Clamp (1/2)	3	F273	M6 x 1.0 Nut		4
Fuel Tank Assembly				F285	1/2-13 x 1-1/2 Hex Bolt		4
29	M246	Fuel Line, Tank (1/4 x 20-1/2")	1**	F438	5/16-18 x 2-3/4 Hex Bolt		1
30	5083-1	Bushing, Rubber	1	F442	1/4-20 x 5/8 PTHMS		3
31	M113	Fuel Line (3/16 x 28")	1**	F547	M6 x 1.0 x 45 Stud		2
32	5086-7	Hose (1/4 x 6)	1	F551	5/16-18 Flange Top Lock Nut		2
33	8023	Fuel Tank Support	1	F568	10-24 Flange Top Lock Nut		7
34	5020-2	Fuel Filter, In Tank	1	F570	3/8-16 Flange Top Lock Nut		1
35	8055-1	Fuel Tank, 4.7 Gallon, Gas (Black) (Includes Items # 30, 32, 34 & 37-40)	1	F646	3/8-16 x 3/4 Serrated Hex Bolt		2
36	5082-4	2-1/4 Ratchet Fuel Cap	*	* Service Part Only			
37	8055-2	Fuel Tank Gauge	1	** Required hose specifications: M113 - 3/16" ID fuel/oil/vapor hose (Gates 4219-0093 or equivalent)			
38	5977-7	Roll Over Grommet (.900 x 1-1/2)	1	M246 - 1/4" ID low permeation (<15g/m ² /day) fuel hose (Parker 38904 or equivalent)			
39	8043-8	Roll Over Valve	1	*** Refer to the Operator's Manual for recommended part number.			
40	5083-8	Tank Tube (13")	1	*** Refer to the Operator's Manual for recommended part number.			
Exhaust Assembly				Δ Use the engine model and spec number from Kohler to order this item.			
41	8530-21	Grass Shield	1	NOTE: Refer to Kohler Engine Decal (NS) for Engine Identification Number.			
42	7307-9	Pull Through Bumper	2				
43	NS	Gasket (Kohler)	2 ^Δ				
44	NS	Nut (Kohler)	4 ^Δ				

ENGINE GROUP



Model T23 Beginning S/N 187255
 Use only genuine **Walker**® replacement parts.

HYDROSTATIC GROUND DRIVE ASSEMBLIES

ITEM NO.	PART NO.	DESCRIPTION	NO. REQ'D	ITEM NO.	PART NO.	DESCRIPTION	NO. REQ'D
TOPS™ Components				40	5028-5	Lockout Lever	2
1	5024-22	3/8 Hose Barb x #6/ORB 90 Degree	2	41	5027-5	Lockout Mount	1**
2	5879-11	Hose Clamp (16mm)	6	Deck Support Arm Assemblies			
3	M358	High Temp Hose (3/8" x 8-1/4")	1	42	6430-10	Outboard Mount, LH	1
4	5024-30	Pulley	1	43	6431-1	Deck Support Arm, LH (Includes Item # 47)	1
5	5025-51	Hydro Pump Assembly (Includes Items # 7 & 19)	1	44	5775-2	Hitch Pin (# 6)	2
6	M358	High Temp Hose (3/8" x 8-3/4")	1	45	6431-2	Deck Support Arm, RH (Includes Item # 47)	1
7	5024-15	1/4-18 Pipe Thread, 3/8 Barb Fitting	2	46	6430-9	Outboard Mount, RH	1
8	5024-13	Transmission Oil Filter	1	47	5830	Grease Fitting	2
9	5975-3	Cable Tie (50# x 7")	1	48	6840-1	Support Arm Bushing (2-1/16)	2
10	6206-1	Air Vent Valve	3	Transmission Repair Parts			
11	5024-27	1-1/16"-12 Socket Plug Reservoir Cap	1	49	5025-16	Control Shaft Repair Kit	*
12	5024-25	Oil Reservoir Sight Gauge	1	50	5025-13	Hydro Input Shaft / Repair Kit (Includes Items # 51-53)	*
13	5024-9	90 Degree Fitting W/Filter	1	51	5025-8	Bearing, Input Shaft	*
14	5025-42	Oil Tank Reservoir Assembly (Includes Items # 7, 10-13 & 15-16)	1	52	5025-7	Snap Ring	*
15	7427-12	Brass Pipe Plug (1/4 NPTF)	1	53	NS	Seal, Input Shaft	*
16	5024-23	90 Degree Male Fitting, 3/8 Barb 1/4 Thread	1	54	5025-53	O-Ring & Plug	*
17	M358	High Temp Hose (3/8" x 6-1/2")	1	Fasteners			
18	5024-11	Left Hand Hose (7-3/8")	1	F004		1/4-20 Keps Nut	4
19	5024-10	Elbow, 90 Degree (1/2-20 x 9/16-18)	4	F012		3/8-16 Keps Nut	2
20	5022	Reservoir/Casting Gasket	2	F023		10-24 ESNA Nut	2
21	5024-7	Transmission Reservoir Adapter Fitting	2	F027		10-24 x 5/8 PPHMS	2
22	5024-12	Right Hand Hose (9-3/8")	1	F029		1/4-20 x 1/2 Hex Bolt	2
Ground Drive Assemblies				F032		1/4-20 x 3/4 Hex Bolt	3
23	6209-11	Bridge Spacer Plate	1	F040		3/8-16 x 1-1/2 Hex Bolt	4
24	6209-8	Bridge Assembly (Includes Items # 23, F004, F032 & F120)	1***	F043		3/8-16 x 3 Hex Bolt	6
25	6243-6	Fan Guard	1	F053		7/16 Internal Star Lock Washer	4
26	6243-1	Hydro Fan, CW	1	F063		3/8 Internal Star Lock Washer	17
27	7244	Hydro Pulley (3-7/8/MV) (Includes Items # F064 & F359)	2	F064		1/8 x 1/2 Woodruff Key (#3)	4
28	5026-34	Hydrostatic Drive, CW	1	F081		A/A45D Aluminum Pop Rivet	2
29	6200-9	Gear Axle Drive Assembly (Includes Items # 10 & 30)	2	F120		AN960416 Washer	2
30	6207-12	Pipe Plug (1/4 NPTF)	4	F160		External Snap Ring (.669 Shaft)	2
31	5126	Cable Retainer (Uses existing bolt on Gear Axle Drive Assembly)	1	F178		1/4 x 1 Fender Washer	2
32	6233-1	Pinion Gear	2	F182		1/4 x 5/8 x 1/8 Washer	1
33	6234	Spacer, Pinion Gear	2	F194		7/16 x 1-1/4 x 1/8 Washer	2
34	6201	O-Ring Seal	2	F200		7/16-20 x 3 Grade 8 Bolt	2
35	5025-34	Hydrostatic Drive, CCW	1	F211		1/4-20 x 7/8 Hex Bolt	2
36	6243-2	Hydro Fan, CCW	1	F244		7/16-20 x 3/4 Hex Bolt	2
Transmission Lockout Assembly				F262		3/8-16 x 4 Hex Bolt All Thread	2
37	5028-3	Transmission Lockout Assembly (Includes Items # 38-41, F023, F027 & F081)	*	F359		5/16-18 x 5/16 Set Screw (Knurl Point)	4
38	5847	Plastic Tip	2	F398		1/4-20 x 2 Hex Bolt	2
39	5057	Lockout Cam (Includes Item # F081)	2	F569		1/4-20 Flange Top Lock Nut	3
				F579		3/8-16 x 1 Hex Bolt Grade 8	4
				F659		1/8 x 1/8 x 3/4 Key	1
				F669		1/4-20 x 5/8 Hex Bolt W/Loctite	1

* Service Part Only
 ** Part not used on Jackshaft side of tractor.
 *** Includes Spacer Options—See Advisory Bulletin #23300.

STEERING CONTROL ASSEMBLIES

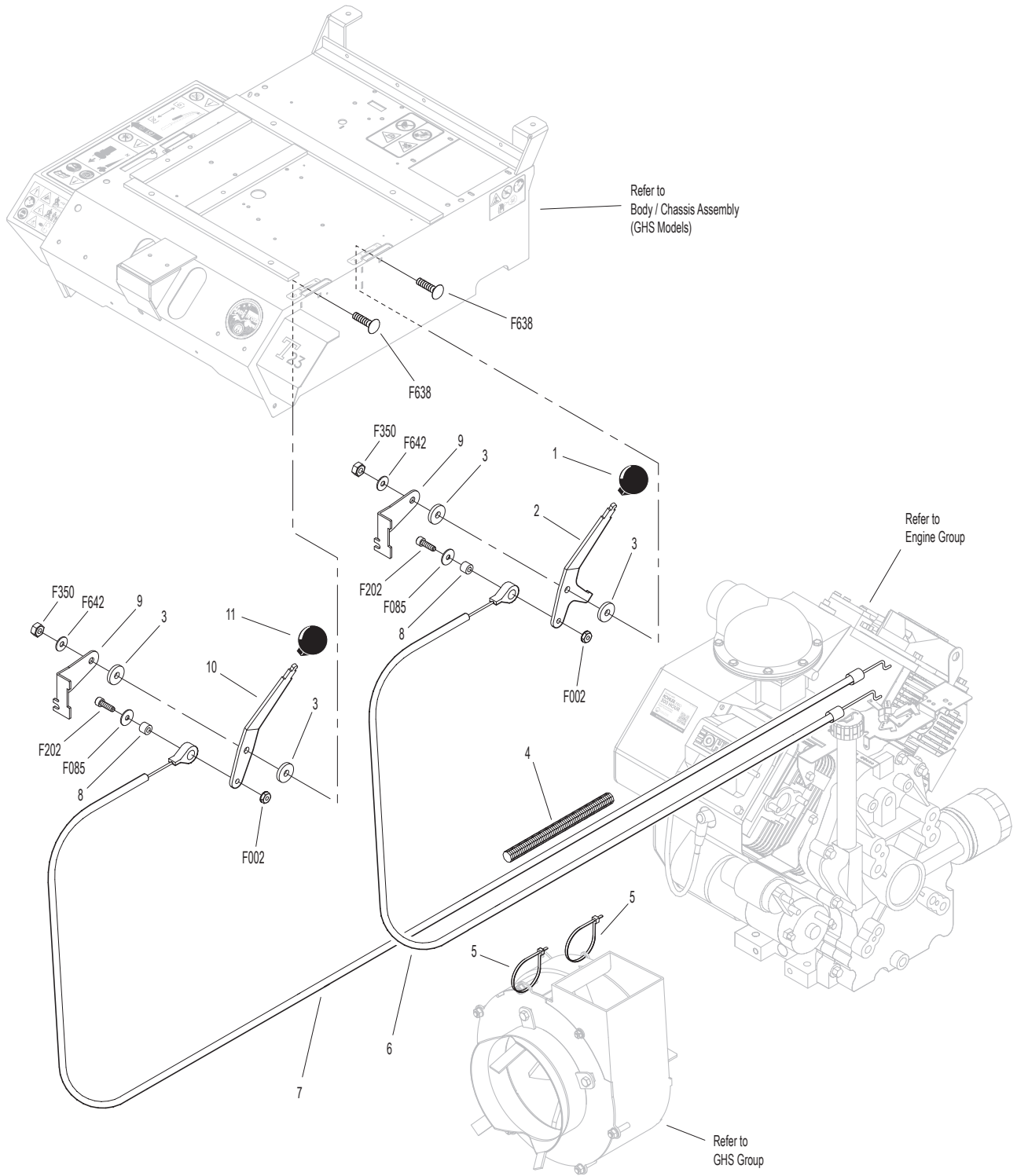
ITEM NO.	PART NO.	DESCRIPTION	NO. REQ'D	ITEM NO.	PART NO.	DESCRIPTION	NO. REQ'D
Transmission Spring Assemblies				Steering Lever Assemblies			
1	6201-4	Shock Mount Gear Drive, RH	1	32	5217-1	Pivot Pin, Steering Lever	1
2	5146	10mm Ball Stud	4	33	5391-3	Steering Lever Support	1
3	5199-4	Steering Lever Dampener Assembly	2	34	5225-4	Extension Spring (5/8 x 2)	2
4	6201-3	Shock Mount Gear Drive, LH	1	35	5451-12	Steering Lever Assembly, LH / Adjustable (Includes Items # 2, 9-11, 16, 34, F009, F034 & F582)	1
5	5214-2	Ball Joint (5/16-24) Nylon Lined	2	36	5453-14	Steering Lever Handle, Adjustable (Includes Items # 14 & F345)	2
6	6212-7	Transmission Control Arm, LH	1	37	5450-12	Steering Lever Assembly, RH / Adjustable (Includes Items # 2, 9-11, 16, 34, F009, F034 & F582)	1
7	5213-3	Control Rod (6")	1				
8	5665-1	Compression Spring (2-1/2)	2				
9	7201-2	Fiberglide Bearing 1/2"	2				
10	5463-5	Steering Arm Pivot Bushing (SS)	2				
11	5463-7	Steering Lever Actuator	2				
12	5213-4	Control Rod (14-3/4")	1				
13	5212-7	Transmission Control Arm, RH	1				
Forward Speed Control Assemblies				Fasteners			
14	5850-2	Handle Grip, Foam (5-1/2)	3	F004	1/4-20 Keps Nut		5
15	7170-2	FSC Lever Assembly (Includes Item # 16)	1	F007	5/16-18 Jam Nut		2
16	5830	Grease Fitting	6	F009	5/16-18 Whiz Locknut		7
17	5975-3	Cable Tie (50# x 7")	1	F010	5/16-24 ESNA Nut		4
18	5214-4	Ball Joint (5/16-24) W/O Stud	2	F012	3/8-16 Keps Nut		2
19	5219	Extension Spring (3/4 x 6-3/4)	1	F024	5/16-24 Jam Nut		4
20	5172	Bearing, Delrin (.250 x .375 x .250)	2	F029	1/4-20 x 1/2 Hex Bolt		2
21	5141-1	FSC Actuator Block	1	F031	1/4-20 x 5/8 Hex Bolt		1
22	5140-9	FSC Brace	1	F032	1/4-20 x 3/4 Hex Bolt		2
23	5141	FSC Friction Washer (1-1/2 x 3/8 x 1/16)	2	F034	5/16-18 x 3/4 Hex Bolt		4
24	5142-8	FSC Key	1	F038	3/8-16 x 1 Hex Bolt		2
	5140-25	FSC Control Assembly (Includes Items # 16, 23-25, 28, F182, F192 & F193)	*	F050	1/4 SAE Washer		1
25	5140-35	FSC Friction Body (Includes Item # 16)	1	F051	3/8 SAE Washer		2
26	5141-2	FSC Actuator Rod	1	F064	1/8 x 1/2 Woodruff Key (#3)		2
27	5281-5	Clevis Pin (1/4 x 0.80)	1	F069	3/32 x 1/2 Cotter Pin		1
28	5142-9	FSC Actuator Cam	1	F146	1/4-20 Jam Nut		1
29	5141-3	Spacer (.750 x .313 x .688)	1	F182	1/4 x 5/8 x 1/8 Washer		1
30	5141-4	FSC Rod	1	F183	.312 x .700 x .074 Washer		3
31	5470-2	Speed Control Stop	1	F186	5/64 x 1/2 Cotter Pin		1
				F188	1/4-20 Self-Locking Nut		4
				F192	3/8-24 Self-Locking Nut		1
				F193	3/8 Belleville Spring Washer		3
				F198	.250 x .625 x .040 Washer, SS		2
				F226	5/16-18 x 7/8 Hex Bolt		1
				F316	5/16-18 x 1-3/4 Hex Bolt		1
				F345	1/4-20 x .770 Knurled Bolt		4
				F350	1/4-20 LP Nylock		1
				F353	3/8-16 ESNA LP Nut		2
				F401	.504 x .751 x .030 Washer		1
				F562	5/16-18 x 1 Set Screw		2
				F582	Washer 5/16 x 7/8 x .125		2

* Service Part Only

THROTTLE & CHOKE CONTROL ASSEMBLIES

ITEM NO.	PART NO.	DESCRIPTION	NO. REQ'D	ITEM NO.	PART NO.	DESCRIPTION	NO. REQ'D
Throttle & Choke Control Assemblies				Fasteners			
1	5108-6	Choke Control Knob, Black	1	F002		10-24 Keps Nut	2
2	5108-40	Control Lever, Choke	1	F085		3/16 Rivet Backup Washer	2
3	5108-10	Friction Washer (.125)	4	F202		10-24 x 5/8 SHC Screw GR 5	4
4	8123	Insulating Sleeve (3/8 x 6)	1	F350		1/4-20 LP Nylock	2
5	5975-1	Cable Tie (18# x 3-3/4")	2	F638		1/4-20 x 1 Carriage Bolt	2
6	8122-1	Choke Cable	1	F642		1/4 x .042 Belleville Washer	2
7	8121-1	Throttle Cable	1				
8	5172-6	Bushing, SS (.375 x .188 x .290)	2				
9	5108-29	Control Bracket	2				
10	5108-31	Control Lever, Throttle	1				
11	5108-5	Throttle Control Knob, Red	1				

THROTTLE & CHOKE CONTROL ASSEMBLIES



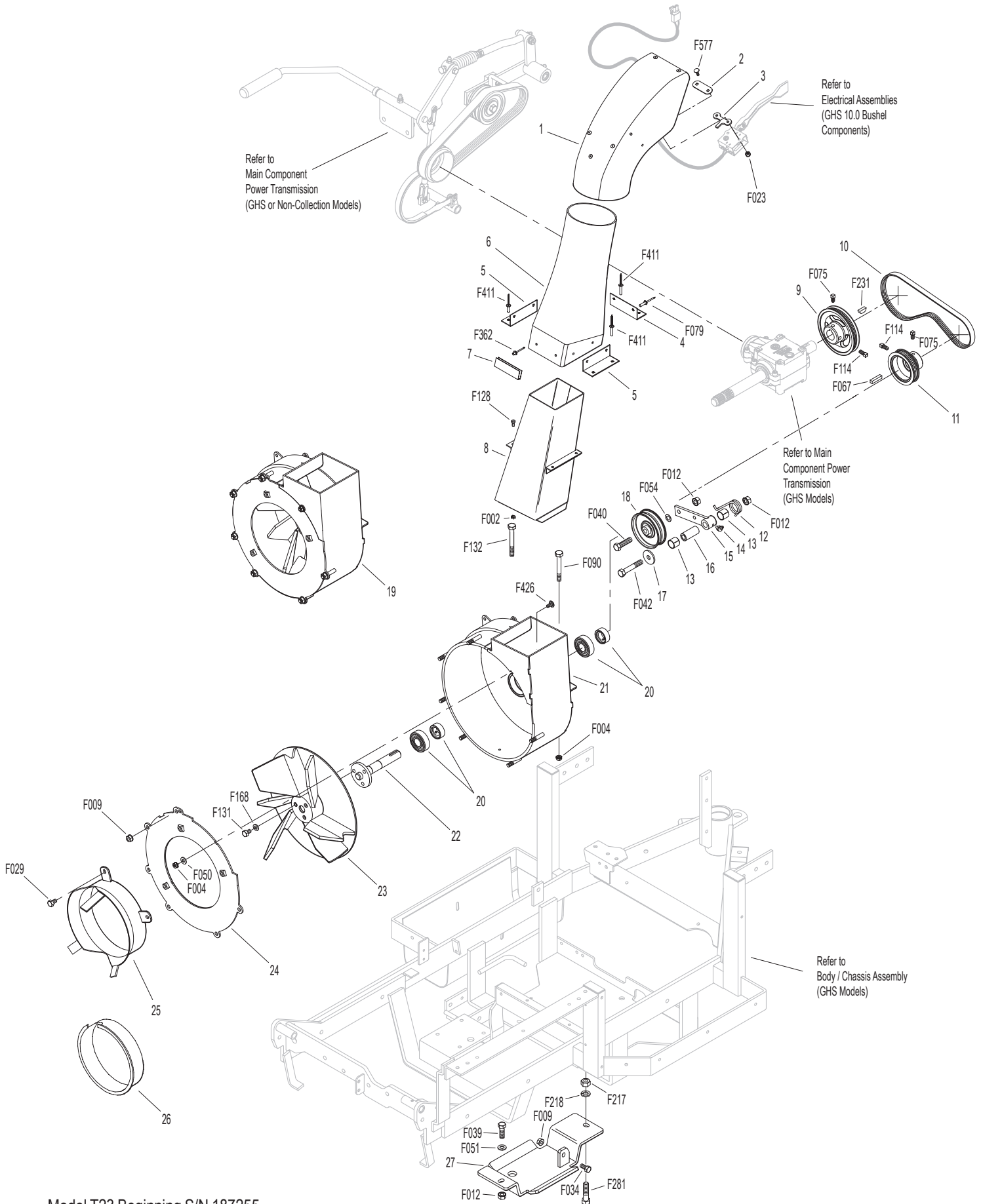
PARKING BRAKE ASSEMBLY

ITEM NO.	PART NO.	DESCRIPTION	NO. REQ'D	ITEM NO.	PART NO.	DESCRIPTION	NO. REQ'D
Parking Brake Assembly				Fasteners			
1	7406-1	Handle Grip, Red	1	F002		10-24 Keps Nut	2
2	7406-9	Parking Brake Lever	1	F003		1/4-28 Hex Nut	1
3	7406-10	Lever Mount	1	F004		1/4-20 Keps Nut	4
4	5830	Grease Fitting	1	F025		10-24 x 3/8 PPHMS	2
5	7407	Clevis Pin (3/16 x 1/2)	2	F029		1/4-20 x 1/2 Hex Bolt	3
6	7404-6	Brake Actuator Arm	2	F032		1/4-20 x 3/4 Hex Bolt	1
7	7405	Pin, Transmission Lock	2	F054		AN960616 Washer	2
8	7402	Clevis	2	F072		1/4 "E" Retainer Ring	2
9	7408	Compression Spring (1/2 x 3/4)	2	F086		#10 SAE Washer	4
10	7415	Rubber Dust Shield (5/8 x 3/8 x 1/32)	2	F109		1/8 x 5/8 Roll Pin	2
11	5567-3	O-Ring (1/4 x 3/8)	4	F111		1/8 x 3/4 Cotter Pin	1
12	7403	Plunger Bushing, Gear Axle	2	F112		5/8 x 1-1/4 x .03 Washer	2
13	7404-7	Brake Actuator Mount	2	F127		1/16 x 1/2 Cotter Pin	4
14	7412	Clevis Pin (3/16 x 5/8)	2	F261		AN960616L Washer	5
15	5833	Cable Clamp (1/4)	2	F287		1/4-28 Keps Nut	1
16	7410	Brake Control Cable, LH (25.5")	1				
17	7409	Brake Control Cable, RH (20.5")	1				
18	7401-3	Cable Mount Bracket	1				
19	7401-1	Cable Pull Rod	1				
20	5552	Ball Joint (1/4-28)	1				

GHS GROUP

ITEM NO.	PART NO.	DESCRIPTION	NO. REQ'D	ITEM NO.	PART NO.	DESCRIPTION	NO. REQ'D
Delivery Chute Assembly				Fasteners			
1	5515-4	Elbow Delivery Spout	1	F002		10-24 Keps Nut	4
2	5592-24	Backing Plate, Grass-Pak® Switch	1	F004		1/4-20 Keps Nut	3
3	5592-23	Grass-Pak® Housing Spacer	1	F009		5/16-18 Whiz Locknut	7
4	5578	Rear Clip, Chute Mount	1	F012		3/8-16 Keps Nut	3
5	5577	Side Clip, Chute Mount	2	F023		10-24 ESNA Nut	2
6	8511-1	Delivery Chute W/Clips / 10.0 (Includes Items # 4, 5, 7, F362 & F411)	1	F029		1/4-20 x 1/2 Hex Bolt	3
7	5578-10	Front Clip, Chute Mount	1	F034		5/16-18 x 3/4 Hex Bolt	1
8	7530-4	Body Chute (10.5 Blower)	1	F039		3/8-16 x 1-1/4 Hex Bolt	1
Blower Belt Tightener Assembly				F040		3/8-16 x 1-1/2 Hex Bolt	1
9	7238-6	Blower Drive Pulley (Includes Items # F075, F114 & F231)	1	F042		3/8-16 x 2-1/4 Hex Bolt	1
10	7234-2	Blower Belt (Micro-V)	1	F050		1/4 SAE Washer	1
11	7239-1	Blower Pulley (Micro-V) (Includes Items # F067, F075 & F114)	1	F051		3/8 SAE Washer	1
12	7364-2	Torsion Spring	1	F054		AN960616 Washer	1
13	7201-3	Fiberglide Bearing	2	F067		3/16 x 3/16 x 1 Key	1
14	5830-3	Grease Fitting (45 Deg.)	1	F075		5/16-18 x 1/2 SQH Set Screw	2
15	7364-1	Blower Belt Tightener Arm	1	F079		A/A66D Aluminum Pop Rivet	6
16	7201-4	Inner Race (1-1/2)	1	F090		1/4-20 x 2-1/2 Hex Bolt	1
17	5841	Retainer Washer (3/8 x 1-1/4)	1	F114		5/16-18 x 5/8 SQH Set Screw	2
18	5245	Idler Pulley (3")	1	F128		10-24 x 3/8 PTHMS	4
Blower Assembly				F131		5/16-18 x 1/2 Hex Bolt	3
19	7544	Blower Assembly (10.5") (Includes Items # 20-24, F004, F009, F029, F050, F131, F168 & F426)	1	F132		1/4-20 x 2-3/4 Hex Bolt	1
20	5268	Bearing W/Collar (3/4)	2	F168		5/16 Split Lock Washer	3
21	7544-3	Blower Housing (10.5)	1	F217		7/16-14 Hex Nut	1
22	7545-2	Blower Output Shaft (10.5)	1	F218		7/16 Split Lock Washer	1
23	7545	Blower Wheel (10.5")	1	F231		1/4 x 3/4 Woodruff Key (# 806)	1
24	7543-1	Blower Faceplate (10.5)	1	F281		7/16-14 x 1-3/4 Hex Bolt	1
25	7526	Intake Tube (10.5 Blower)	1	F362		A/A62D Alum. Pop Rivet (3/16D x 13/32L)	2
26	5595-2	Intake Cover / GHS	1	F411		3/16 Bulbex Rivet	6
27	7528-5	Skid Bar	1	F426		1/4-20 x 1/2 Carriage Bolt	1
				F577		10-24 x 5/8 Carriage Bolt	2

GHS GROUP



Model T23 Beginning S/N 187255
 Use only genuine **Walker**® replacement parts.

GHS POWERFIL® ASSEMBLY (10.0)

ITEM NO.	PART NO.	DESCRIPTION	NO. REQ'D	ITEM NO.	PART NO.	DESCRIPTION	NO. REQ'D
10.0 GHS Powerfil® Assembly				Fasteners			
1	5551-3	Bearing Cap, Powerfil®	1	F003		1/4-28 Hex Nut	2
2	5551-1	Pivot Bearing (#S3PP)	2	F023		10-24 ESNA Nut	10
3	5518-6	Pivot, Delivery Spout	1	F054		AN960616 Washer	2
4	5517-2	Pivot Mount	1	F085		3/16 Rivet Backup Washer	1
5	5552	Ball Joint (1/4-28)	2	F101		10-24 x 1-1/4 SHC Screw	1
6	5553-3	Bushing, Powerfil® Actuator	4	F109		1/8 x 5/8 Roll Pin	1
7	5553-1	Compression Spring (1/2 x 2)	2	F287		1/4-28 Keps Nut	2
8	5558-2	Powerfil® Actuator Rod	1	F612		10-24 x 5/8 Truss Head Torx	7
	5549	Actuator Rod Assembly (Includes Items # 5-8, F003, F287 & F704)	*	F613		10-24 x 1/2 Truss Head Torx	2
9	5554	Actuator Arm	1	F704		1/4-28 x 6-1/2 Hex Bolt, Grade 5, Clear Zinc	1
10	5519-3	Motor Mount Nut (5/8-24)	*	* Service Part Only			
11	5519-2	Motor Mount Washer	*				
12	5976-2	Grommet (3/16 x 3/4)	1				
13	5519-5	Actuator Motor (12V) (Includes Items # 10 & 11)	1				

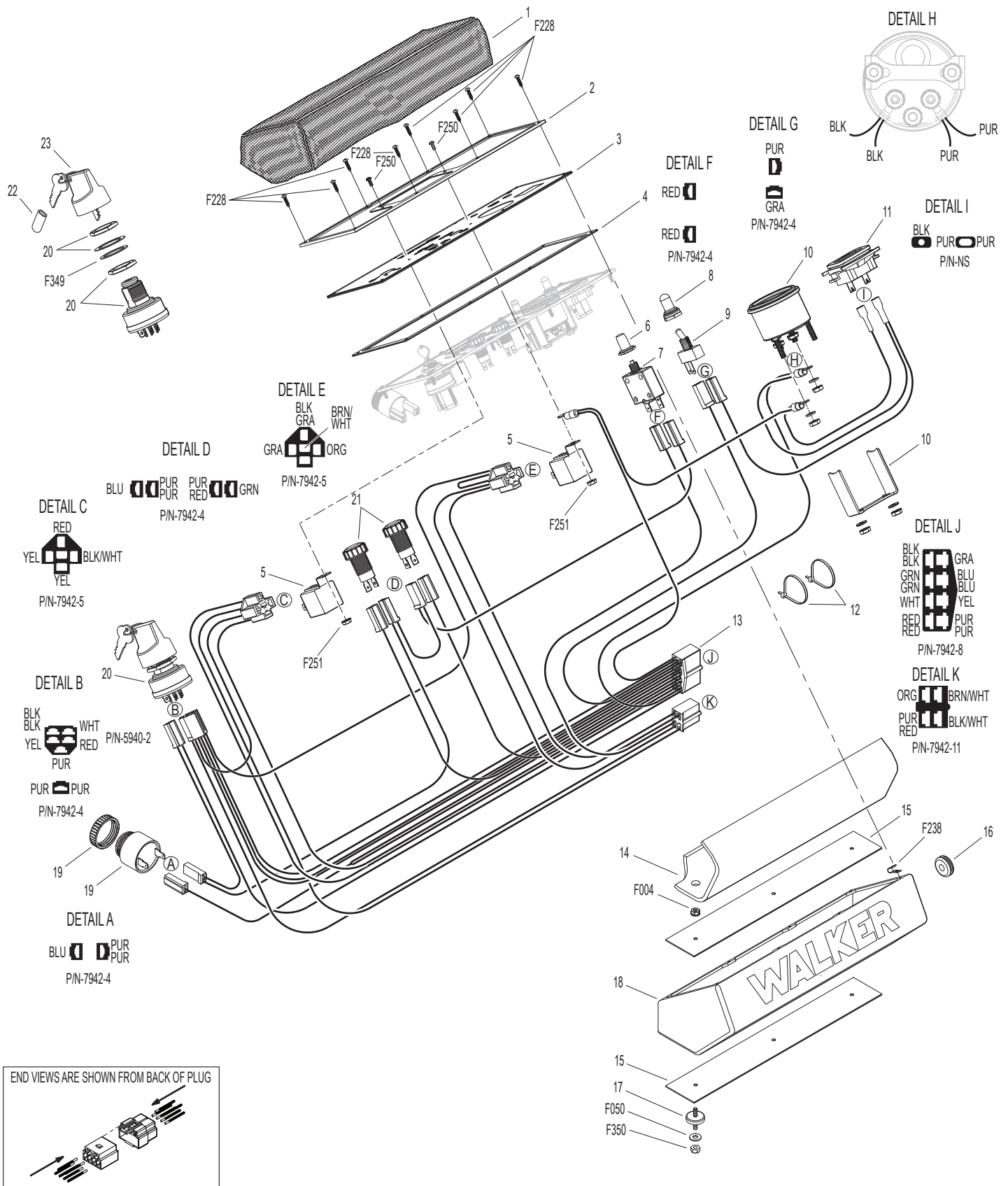
GHS 10.0 BUSHEL CATCHER ASSEMBLY

ITEM NO.	PART NO.	DESCRIPTION	NO. REQ'D	ITEM NO.	PART NO.	DESCRIPTION	NO. REQ'D
Upper Baffle Screen Assembly (Removable)				46	5977-3	Grommet (9/16)	2
1	7512-8	Removable Screen (3/16 Hole) (Includes Items # 2, 5, F190 & F617)	1**	47	8117	Wire Harness Channel	1
2	7506	Knob / Threaded Insert (10-24)	2	48	8602-3	10.0 Catcher W/O Powerfil®, Gray (Includes Door)	*
3	8606-3	Channel Top, LH	1		8602-4	10.0 Catcher W/Powerfil®, Gray (Includes Door)	*
4	8606-2	Channel Bottom	2		8610-5	10.0 Bushel Catcher Box, Gray	*
5	7856-1	Edge Molding (26")	1	49	8607-9	Powerfil® Cover Plate	1
6	7507	Screen Seal (27-1/2)	1	50	8155-2	Gas Spring Cover, RH	1
7	7505	Mustache Spring	2	51	8608-8	Hinge Plate, RH	1
8	8606	C-Channel (10.0)	1	52	8608-9	Torsion Bar	1
	8606-20	C-Channel With Spring (10.0) (Includes Items # 7, 8 & F340)	*	5598-2 Optional Dump Bag (Not Shown) May be ordered as an option. Contact your Walker dealer.			
9	8606-4	Channel Top, RH	1	Fasteners			
10.0 Exhaust Deflector Door Assembly					F020	5/16-18 ESNA Nut	2
10	8607-16	Upper Seal Support	1		F023	10-24 ESNA Nut	29
11	8607-17	Upper Door Seal	1		F024	5/16-24 Jam Nut	4
12	8607-18	Backup Plate	1		F029	1/4-20 x 1/2 Hex Bolt	8
13	8512-4	10.0 Catcher Box Door, Gray (Includes Items # 10-14, 16, 17, F085, F411, F649 & F654)	1		F032	1/4-20 x 3/4 Hex Bolt	2
					F049	5/16 SAE Washer	6
14	5583	Handle	1		F050	1/4 SAE Washer	2
15	8607-1	Door Mount, LH	1		F068	1/8 x 1 Cotter Pin	2
16	8607-12	Upper Door Stiffener	1		F079	A/A66D Aluminum Pop Rivet	5
17	8607-7	Lower Door Stiffener	1		F085	3/16 Rivet Backup Washer	6
18	8607-8	Door Guide	1		F094	8-32 x 1/2 PTHMS	6
19	8607-2	Door Mount, RH	1		F190	#10 Internal Star Lock Washer	2
GHS 10.0 Bushel Catcher Assembly					F195	1/4-20 x 3/4 PPHMS, SS	4
20	8608-13	Center Strap	1		F196	1/4-20 x 1 PPHMS, SS	4
21	8608-3	Upper Frame Doubler	2		F208	5/16-18 x 2-1/4 Hex Bolt	2
22	8608-1	Outside Box Strap	2		F230	1/4-20 x 1-1/4 PPHMS, SS	4
23	8608-2	Lower Frame Doubler	2		F242	1/4-20 x 7/8 PPHMS, SS	8
24	8608-4	Center Frame Doubler	1		F340	Rivet, Aluminum	4
25	8608-11	Catcher Door Finger	1		F351	Aluminum Pop Rivet	6
26	8608-6	Catcher Mount	1		F360	1/4-20 x 3/8 Hex Bolt	2
27	8610-8	Catcher Dump Flap	1		F390	1/4-20 x 7/8 Carriage Bolt	4
28	8610-3	Backing Plate, Dump Flap	1		F411	3/16 Bulbex Rivet	21
29	7584	Reinforcing Strap	1		F456	5/16-18 x 3/4 SBH Cap Screw, SS	4
30	5103-5	Pivot Bushing Inner	2		F524	3/16 x 3/8 Aluminum Rivet, Black	8
31	5801-4	Decal Plate, Round	2		F540	1/4-20 x 1-3/4 PPHMS, SS	1
32	7620-3	Pivot Bushing (1/2 x 9/16)	2		F551	5/16-18 Flange Top Lock Nut	4
33	8608-7	Hinge Plate, LH	1		F568	10-24 Flange Top Lock Nut	1
34	5103-7	Outside Torsion Bushing	2		F569	1/4-20 Flange Top Lock Nut	27
35	8607-4	Upper Arm	2		F612	10-24 x 5/8 Truss Head Torx	8
36	5214-12	Ball Joint (5/16-24)	4		F613	10-24 x 1/2 Truss Head Torx	11
37	5155-12	5/16 Ball Stud	2		F617	10-24 x 3/8 Truss Head Torx	4
38	5155-4	Gas Spring	2		F618	10-24 x 3/4 Truss Head Torx	6
39	8155-1	Gas Spring Cover, LH	1		F649	3/16 x .510/.625 Grip Range Rivet, SS	4
40	8607-3	Lower Arm	2		F654	3/16 x .510/.625 Grip Range Rivet	7
41	5103-6	Pivot Bushing Outer	2	*	Service Part Only		
42	5155-13	3/4 Ball Stud	2	**	This screen can be replaced by P/N 7512-11 Removable Screen (3/4" holes) for improved air flow performance in wet conditions.		
43	5523-6	Gas Spring Plate	2				
44	8608-10	Box Support, Gas Spring	2				
45	7532-1	Handle, Catcher Lift	2				

INSTRUMENT PANEL ASSEMBLY

ITEM NO.	PART NO.	DESCRIPTION	NO. REQ'D	ITEM NO.	PART NO.	DESCRIPTION	NO. REQ'D
Instrument Panel Assembly				19	8536	Warning Horn	1
1	7307-2	Instrument Panel Cover (Optional)	**	20	8960-15	Ignition Switch (With Keys) (Includes Items # 22, 23 & F349)	1
	8306-4	Instrument Panel Assembly (Includes Items # 2-11, 13, 19-21, F228, F250 & F251)	1	21	8996-9	Red Indicator Light Assembly	2
2	7307-7	Panel Frame	1	22	7854	Plastic Tip, Red	1
3	8820-5	Panel Faceplate W/Decal	1	23	8960-3	Key Set W/Umbrella	*
4	7386	Panel Gasket	1	Fasteners			
5	6941-9	Relay Switch 30/40 Amp	2		F004	1/4-20 Keps Nut	3
6	7941-3	Boot, Circuit Breaker	1		F050	1/4 SAE Washer	3
7	7941-5	Circuit Breaker (7 Amp)	1		F228	#6 x 5/8 PPHSMS, SS	8
8	5995-2	Switch Boot	1		F238	J Clip, Instrument Panel	8
9	5995	Toggle Switch (Off-On)	1		F250	6-32 x 1/2 PPHMS	2
10	8997	Voltmeter Gauge	1		F251	6-32 Keps Nut	2
11	8990-1	Hourmeter (Global)	1		F349	Washer .835 ID 1.122 OD, SS	1
12	5975-1	Cable Tie (18# x 3-3/4")	2		F350	1/4-20 LP Nylock	3
13	8945-3	Wire Harness, Instrument Panel	1				
14	7307-16	Lining, Panel Box (1/8)	1	*	Service Part Only		
15	7391	Panel Box Mount Plate	2	**	May be ordered as an option. Contact your Walker dealer.		
16	7977-3	Grommet (1/8 x 1-1/8)	1				
17	7307-1	Shock Mount (1.0 x .25)	3				
18	8385	Panel Box W/Graphic	1				

INSTRUMENT PANEL ASSEMBLY

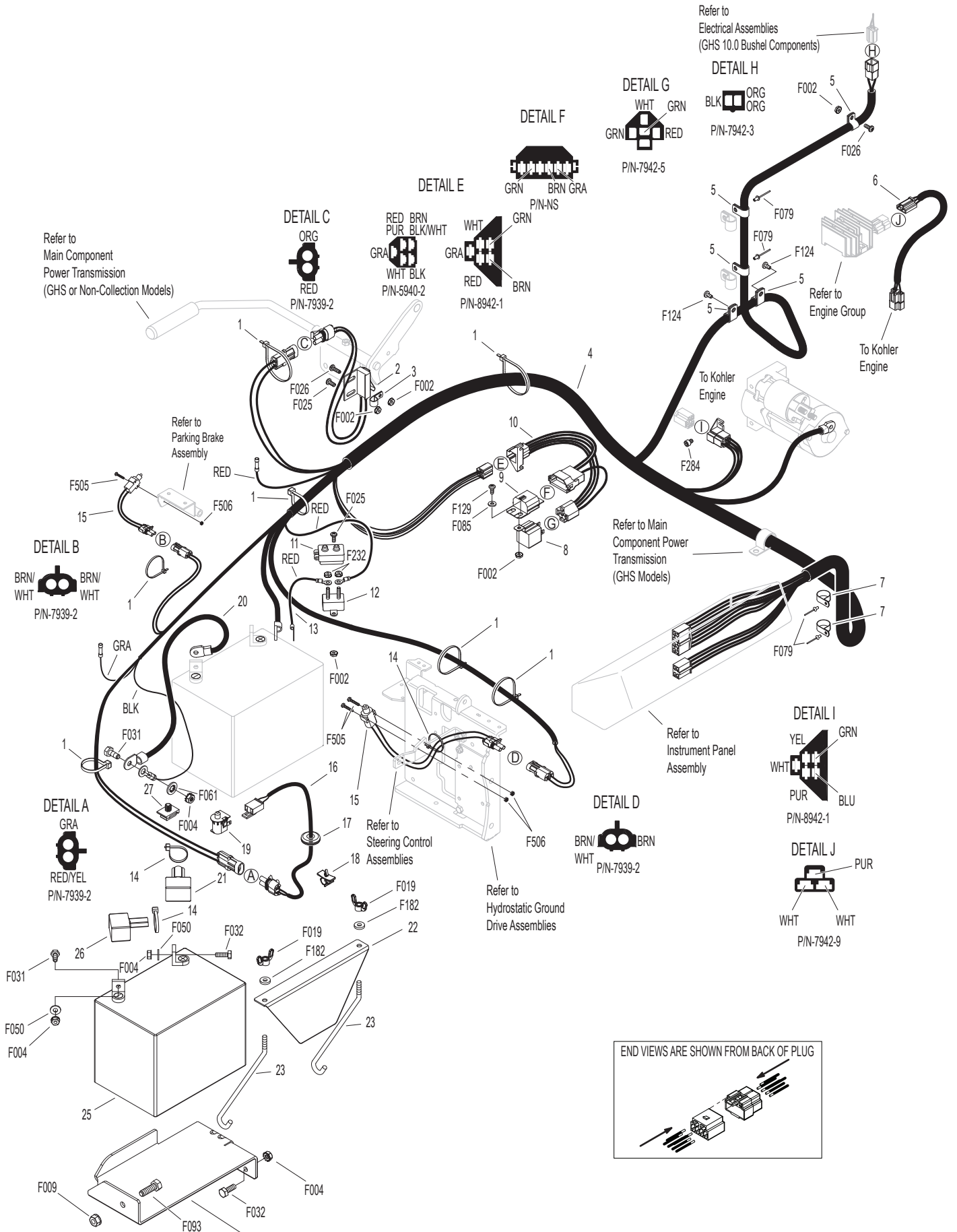


Model T23 Beginning S/N 187255
 Use only genuine Walker® replacement parts.

ELECTRICAL ASSEMBLY

ITEM NO.	PART NO.	DESCRIPTION	NO. REQ'D	ITEM NO.	PART NO.	DESCRIPTION	NO. REQ'D
Harness Assembly				Fasteners			
1	5975-3	Cable Tie (50# x 7")	7	F002		10-24 Keps Nut	6
2	5942-4	Safety Switch (NO)	1	F004		1/4-20 Keps Nut	4
3	5833	Cable Clamp (1/4)	1	F009		5/16-18 Whiz Locknut	1
4	8940-26	Wire Harness	1	F019		1/4-20 ESNA Wing Nut	2
5	5832	Cable Clamp (1/2)	5	F025		10-24 x 3/8 PPHMS	3
6	8012-6	Regulator Adapter Harness	1	F026		10-24 x 1/2 PPHMS	2
7	7833-2	Cable Clamp (1 x 1/4)	2	F031		1/4-20 x 5/8 Hex Bolt	2
8	6941-9	Relay Switch 30/40 Amp	1	F032		1/4-20 x 3/4 Hex Bolt	2
9	7948-6	Time Delay Module (.5 Second Delay)	1	F050		1/4 SAE Washer	2
10	7948-5	Time Delay Harness	1	F061		1/4 Internal Star Lock Washer	1
11	7941-10	Circuit Breaker Cap	1	F079		A/A66D Aluminum Pop Rivet	4
12	8941	Circuit Breaker (30 Amp) Auto Reset / Sealed	1	F085		3/16 Rivet Backup Washer	1
13	8943	Battery Lead Wire (+)	1	F093		5/16-18 x 1 Hex Bolt	1
14	5975-1	Cable Tie (18# x 3-3/4")	3	F124		10-32 x 3/8 Tapitite Machine Screw	2
15	5942-16	Safety Switch (NO), Delta WP	2	F129		10-24 x 1/2 PTHMS	1
16	6104-13	Adapter Harness	1	F182		1/4 x 5/8 x 1/8 Washer	2
17	5977-6	Grommet (1 x 1-1/4)	1	F232		10-32 Keps Nut	2
18	6105-3	Harness Clip	1	F284		M6 x 1.0 x 8 SCH Screw	1
19	6104-11	Seat Switch (NO)	1	F505		6-32 x 7/8 Hex Trim MS, SS	4
				F506		6-32 Nylock Nut	4
Battery Assembly							
20	6923	Battery Cable (-)	1				
21	5933	Battery Terminal Insul., Red (+)	1				
22	5844-3	Battery Hold-Down Bar	1				
23	5839	Hook Bolt	2				
24	6390-6	Battery Pan	1				
25	NS	Battery (12V/300 CCA/Dry/SP-35)	1				
26	5932	Battery Terminal Insul., Black (-)	1				
27	7834-2	Wire Saddle (2 Wires)	1				

ELECTRICAL ASSEMBLY

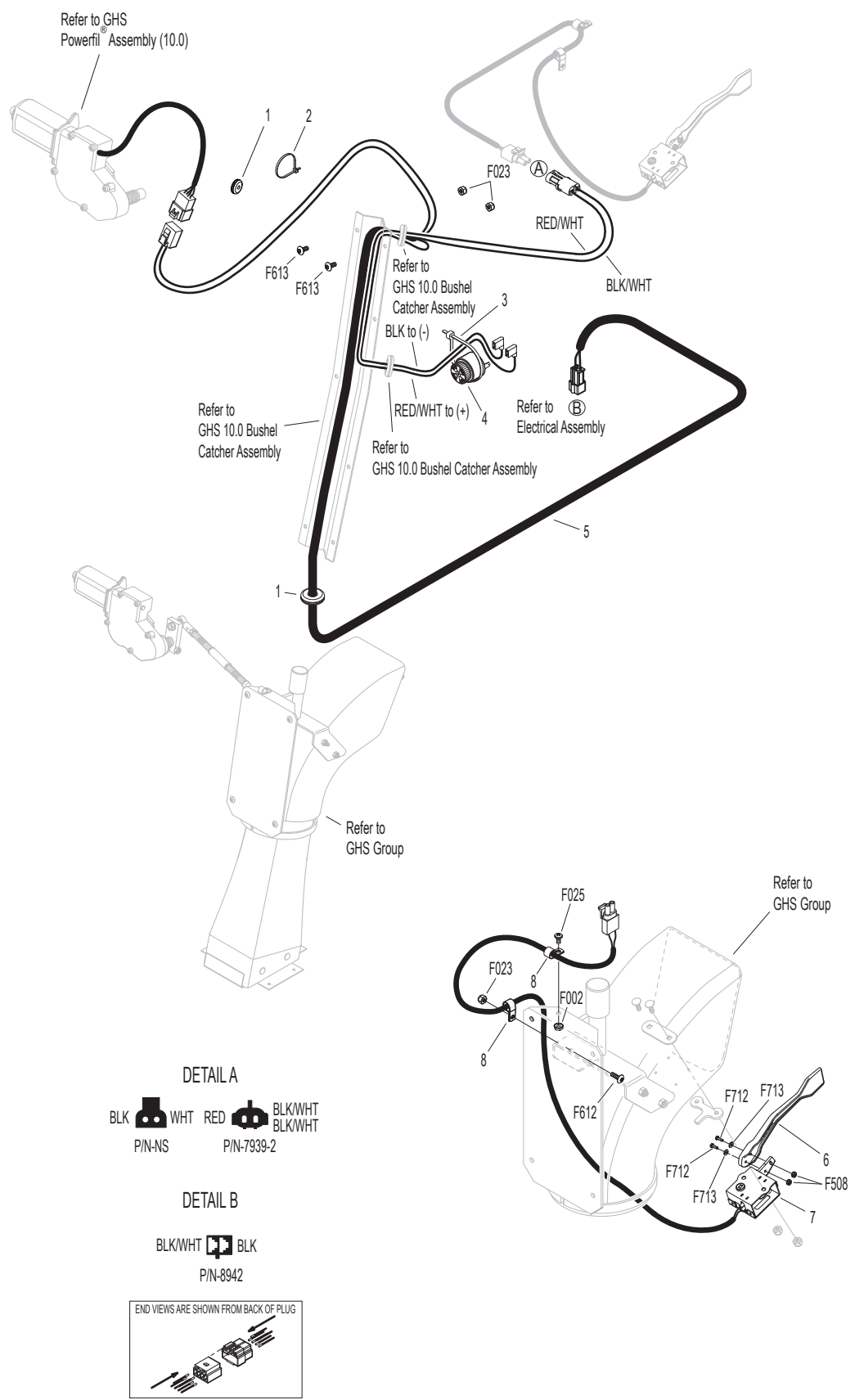


Model T23 Beginning S/N 187255²⁴
 Use only genuine Walker® replacement parts.

ELECTRICAL ASSEMBLIES (GHS 10.0 BUSHEL COMPONENTS)

ITEM NO.	PART NO.	DESCRIPTION	NO. REQ'D	ITEM NO.	PART NO.	DESCRIPTION	NO. REQ'D
Horn & Harness Channel Assemblies				Fasteners			
1	5977-2	Grommet, Cut (1/8 x 3/8)	2	F002		10-24 Keps Nut	1
2	5975-1	Cable Tie (18# x 3-3/4")	1	F023		10-24 ESNA Nut	3
3	5975-3	Cable Tie (50# x 7")	1	F025		10-24 x 3/8 PPHMS	1
4	5536-2	Horn, Full Signal	*	F508		4-40 Keps Nut, SS	2
Harness & Grass-Pak® Switch Assemblies				F612		10-24 x 5/8 Truss Head Torx	1
5	8950-4	Powerfil® Wire Harness (7.0 / 10.0)	1	F613		10-24 x 1/2 Truss Head Torx	2
6	5594-7	Grass-Pak® Vane	1	F712		4-40 x 3/8 Hex Head, SS	2
7	5592-20	Grass-Pak® Switch Assembly	1	F713		Washer #4, SS	2
8	5833	Cable Clamp (1/4)	2	* Service Part Only			

ELECTRICAL ASSEMBLIES (GHS 10.0 BUSHEL COMPONENTS)

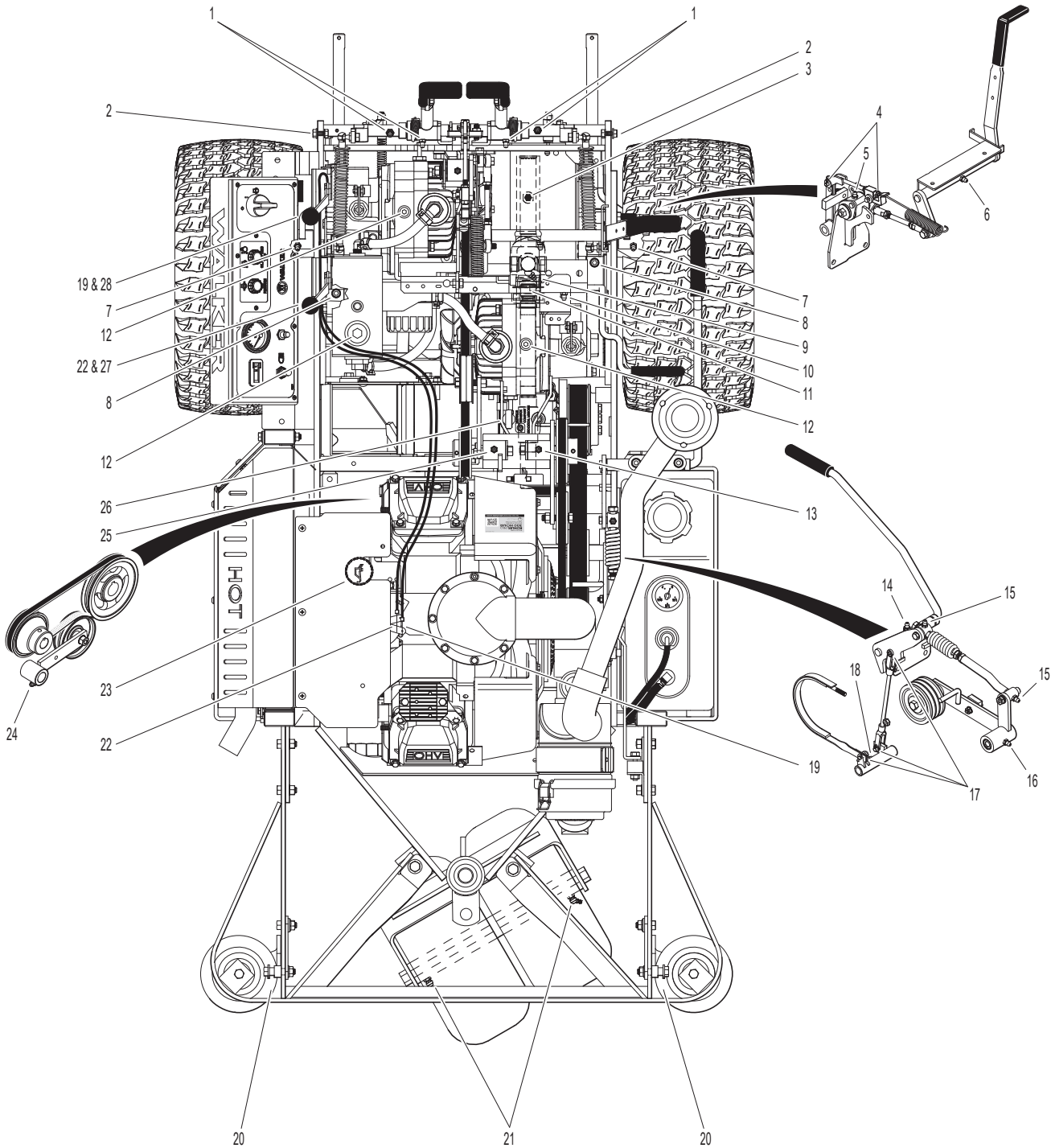


Model T23 Beginning S/N 187255
Use only genuine **Walker**[®] replacement parts.

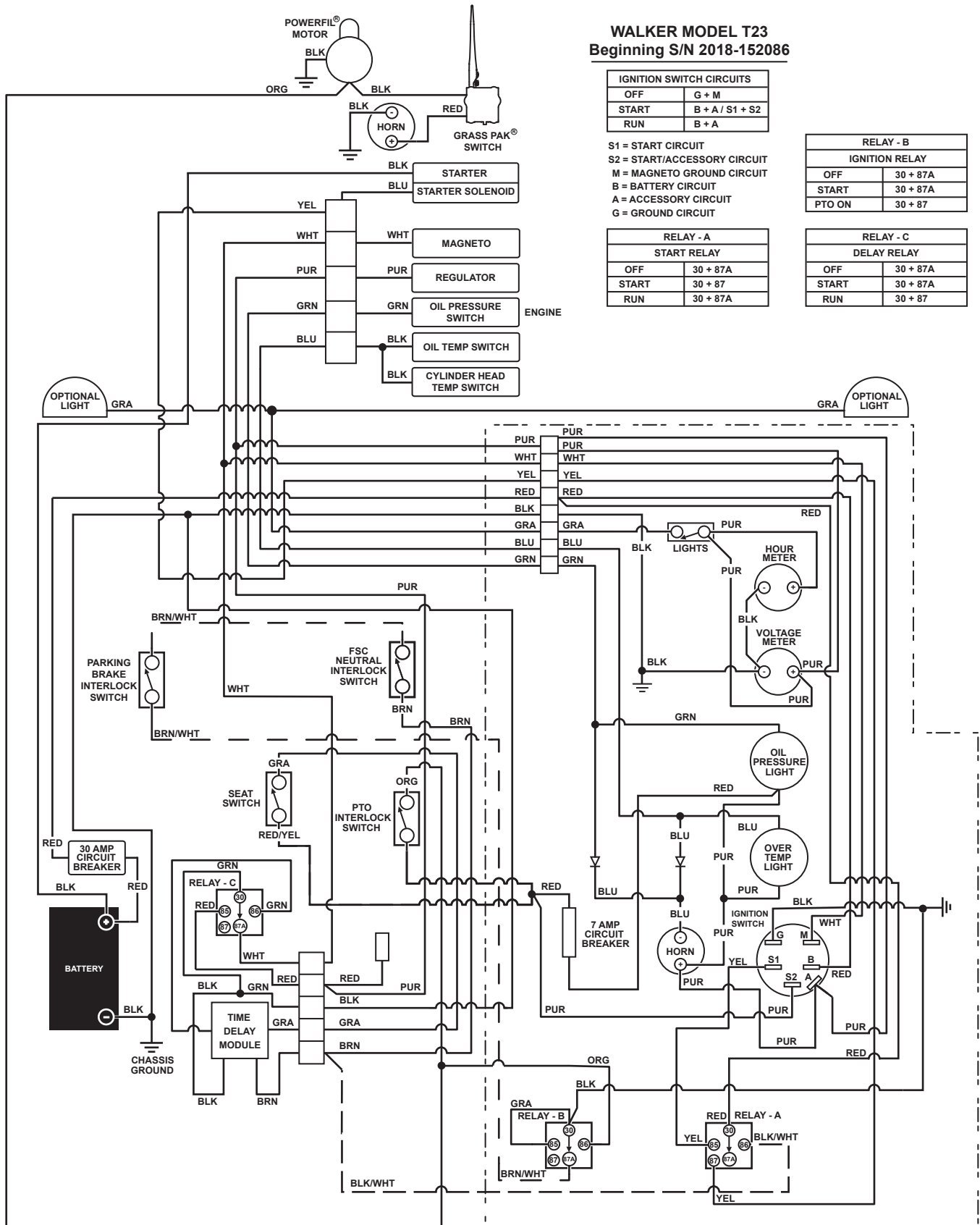
LUBRICATION POINTS

ITEM NO.	LOCATION	LUBRICATION TYPE	NO. PLACES	ITEM NO.	LOCATION	LUBRICATION TYPE	NO. PLACES
Lubrication Points				18	Brake Actuator Pivot	Grease	1
1	Steering Lever Pivot	Grease	4	19	Throttle Control Cable Ends	Oil	2
2	Body Hinge Point	Oil	2	20	Catcher Hinge Point	Oil	2
3	Deck-to-PTO Coupling (Grease Spline Slide Area)	Grease	1	21	Rear Wheel Bearing	Grease	2
4	FSC Actuator Rod Pivot Pins	Oil	2	22	Choke Control Cable Ends	Oil	2
5	(FSC) Friction Body Pivot	Grease	1	23	Engine Dipstick / Oil Fill	Oil**	1
6	FSC Lever Pivot	Grease	1	24	Belt Tightener Pivot, Blower Drive (GHS Model Only)	Grease	1
7	Deck Support Arm Pivot	Grease	2	25	Belt Tightener Pivot, Ground Drive	Grease	1
8	Gear Axle	Oil**	2	26	PTO Gearbox Dipstick	Oil**	1
9	Universal Joint Tube Assembly	Grease*	1	27	Choke Control Pivot	Oil	1
10	Parking Brake Lever Pivot	Grease	1	28	Throttle Control Pivot	Oil	1
11	Universal Joint Quick Connect Spline (Grease Slide Area)	Grease	1				
12	Hydrostatic Drive / Oil Reservoir	Oil**	3	* Grease every 25 hours.			
13	Belt Tightener Pivot, Jackshaft Drive	Grease	1	** Refer to Model T23 Operator's Manual for procedure for checking and changing oil in Engine Crankcase, Hydrostatic Transmissions and Gear Axles.			
14	PTO Clutch Lever Pivot	Grease	1	NOTE: See Model T23 Operator's Manual (P/N 8000-51) for proper lubrication intervals.			
15	Clutch Actuator Push Rod	Grease	2				
16	Belt Tightener Pivot, PTO Clutch	Grease	1				
17	Brake Actuator Rod and Brake Band Pivot Pins (Clevis)	Oil	3				

LUBRICATION POINTS



WIRING SCHEMATIC



LIMITED WARRANTY FOR WALKER COMMERCIAL RIDER MOWER

1. WHAT THIS WARRANTY COVERS, AND FOR HOW LONG:

Walker Manufacturing company will, at its option, repair or replace, without charge, any part covered by this warranty which is found to be defective in material and/or workmanship within two (2) years* after the date of sale to the original retail purchaser unless the product is used for rental purposes, in which case this warranty is limited to ninety (90) days. At Walker's request, customer will make the defective part available for inspection by Walker and/or return the defective part to Walker, transportation charges prepaid. All parts and components of the Walker Mower are covered by this warranty **except** the following components which are warranted separately by their respective manufacturers:

Kohler Engine

Battery

The available warranties covering these items are furnished with each mower. Walker does not assume any warranty obligation, liability or modification for these items, which are covered exclusively by the stated warranty of the respective manufacturers noted above.

* Extended warranties are offered for the following powertrain components:

- A three (3) year unlimited hour warranty is offered for the Walker P/N 6200-9 Gear Axle Assembly.
- A three (3) year or 3000 hour (whichever comes first) warranty is offered for Danfoss Model 7 Hydrostatic transmissions; covers full cost of replacement up to 1000 hours of use, and after 1000 hours warranty coverage is prorated against 3000 hours. If the transmissions are serviced at the recommended intervals by an authorized Walker Dealer using only Mobil SHC™ 630 oil (P/N 6450-20) and Walker filters (P/N 5024-13), the warranty will be extended to three (3) years, full replacement coverage, and unlimited hours.

2. WHAT THIS WARRANTY DOES NOT COVER:

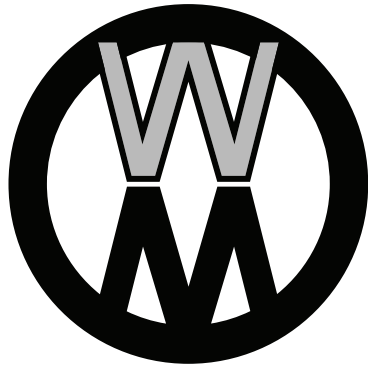
- A. This warranty does not cover defects caused by depreciation or damage caused by normal wear, accidents, improper maintenance, improper use or abuse of the product, alterations, or failure to follow the instructions contained in the Operator's Manual for operation and maintenance.
- B. The customer shall pay any charges for making service calls and/or for transporting the mower to and from the place where the inspection and/or warranty work is performed.

3. HOW TO OBTAIN SERVICE UNDER THIS WARRANTY:

Warranty service can be arranged by contacting the dealer where you purchased the mower or by contacting Walker Manufacturing Company, 5925 East Harmony Road, Ft. Collins, CO 80528. Proof of the date of purchase may be required to verify warranty coverage.

4. WARRANTY LIMITATION:

- A. **THERE IS NO OTHER EXPRESS WARRANTY. ANY WARRANTY THAT MAY BE IMPLIED FROM THIS PURCHASE INCLUDING MERCHANTABILITY AND FITNESS FOR A PARTICULAR PURPOSE IS HEREBY LIMITED TO THE DURATION OF THIS WARRANTY AND TO THE EXTENT PERMITTED BY LAW ANY AND ALL IMPLIED WARRANTIES ARE EXCLUDED.** Some states do not allow limitations on how long an implied warranty lasts, so the above limitations may not apply to you.
- B. **WALKER WILL NOT BE LIABLE FOR ANY INCIDENTAL, CONSEQUENTIAL, OR SPECIAL DAMAGES AND/OR EXPENSES IN CONNECTION WITH THE PURCHASE OR USE OF THE MOWER.** Some states do not allow the exclusion or limitation of incidental or consequential damages, so the above limitation(s) or exclusion(s) may not apply to you.
- C. Only the warranty expressed in this limited warranty shall apply and no dealer, distributor, or individual is authorized to amend, modify, or extend this warranty in any way. Accordingly, additional statements such as dealer advertising or presentations, whether oral or written, do not constitute warranties by Walker, and should not be relied upon.
- D. This warranty gives you specific legal rights, and you may also have other rights which vary from state to state.



WALKER

WALKER MFG. CO. • 5925 E. HARMONY ROAD, FORT COLLINS, CO 80528 • (970) 221-5614
FORM NO. 040424 PRINTED IN USA www.walker.com ©2024 WALKER MFG. CO