



# WALKER

## Illustrated Parts Manual

# S18



Beginning S/N: 162840  
P/N 5000-63

# KEY TO ABBREVIATIONS USED IN THIS MANUAL

<i>Abbreviation</i>	<i>What it Represents</i>
° (Dimension)	Degrees (Angle)
" (Dimension)	inches
(-)	Negative (Polarity)
(+)	Positive (Polarity)
-1 (as deck style designation)	Standard (Aluminum) Gear Drive Deck
-2 (as deck style designation)	Heavy Duty (Cast Iron) Gear Drive Deck
-3 (as deck style designation)	Belt Drive Deck
AT	All-Terrain
CCW	Counter-clockwise
CW	Clockwise
D	Diameter
DC	Deck, Collection (number refers to size in inches)
DM	Deck, Mulching (number refers to size in inches)
DR	Deck, Rear Discharge (number refers to size in inches)
DS	Deck, Side Discharge (number refers to size in inches)
DU	Garlock (Bearing)
ESNA (Fastener)	Nylon Insert Locknut
FSC	Forward Speed Control
GA	Gauge
gal.	gallon
GHS	Grass Handling System
GR (Fastener)	Grade
HD	Heavy Duty
HP	Horse Power
ID	Identification or Inside Diameter
L	Length
LH	Left Hand (orientated with operator on seat)
LP	Low Profile
mm (Dimension)	millimeters
MS (Fastener)	Machine Screw
NS (as part number)	Item is not sold by Walker Manufacturing
OD	Outside Diameter
oz.	ounce
PFH (Fastener)	Phillips Flat Head
P/N	Part Number
PPH (Fastener)	Phillips Pan Head
PTH (Fastener)	Phillips Truss Head
PTO	Power Take-Off
QKS	Quick Slide
qt.	quart
RH	Right Hand (orientated with operator on seat)
SAE (Fastener)	Society of Automotive Engineers
SBH (Fastener)	Socket Button Head (Bolt)
SFH (Fastener)	Slotted Flat Head
SHC (Fastener)	Socket Head Cap
SHL (Fastener)	Shoulder (Bolt)
SM (Fastener)	Sheet Metal (Screw)
S/N	Serial Number
SQH (Fastener)	Square Head
SS (Fastener)	Stainless Steel
ST (Fastener)	Self-Tapping (Screw)
V	Volts

**NOTE:** In some instances, combinations of abbreviations may be used (e.g. PPHMS - Phillips Pan Head Machine Screw).

# ILLUSTRATED PARTS LIST

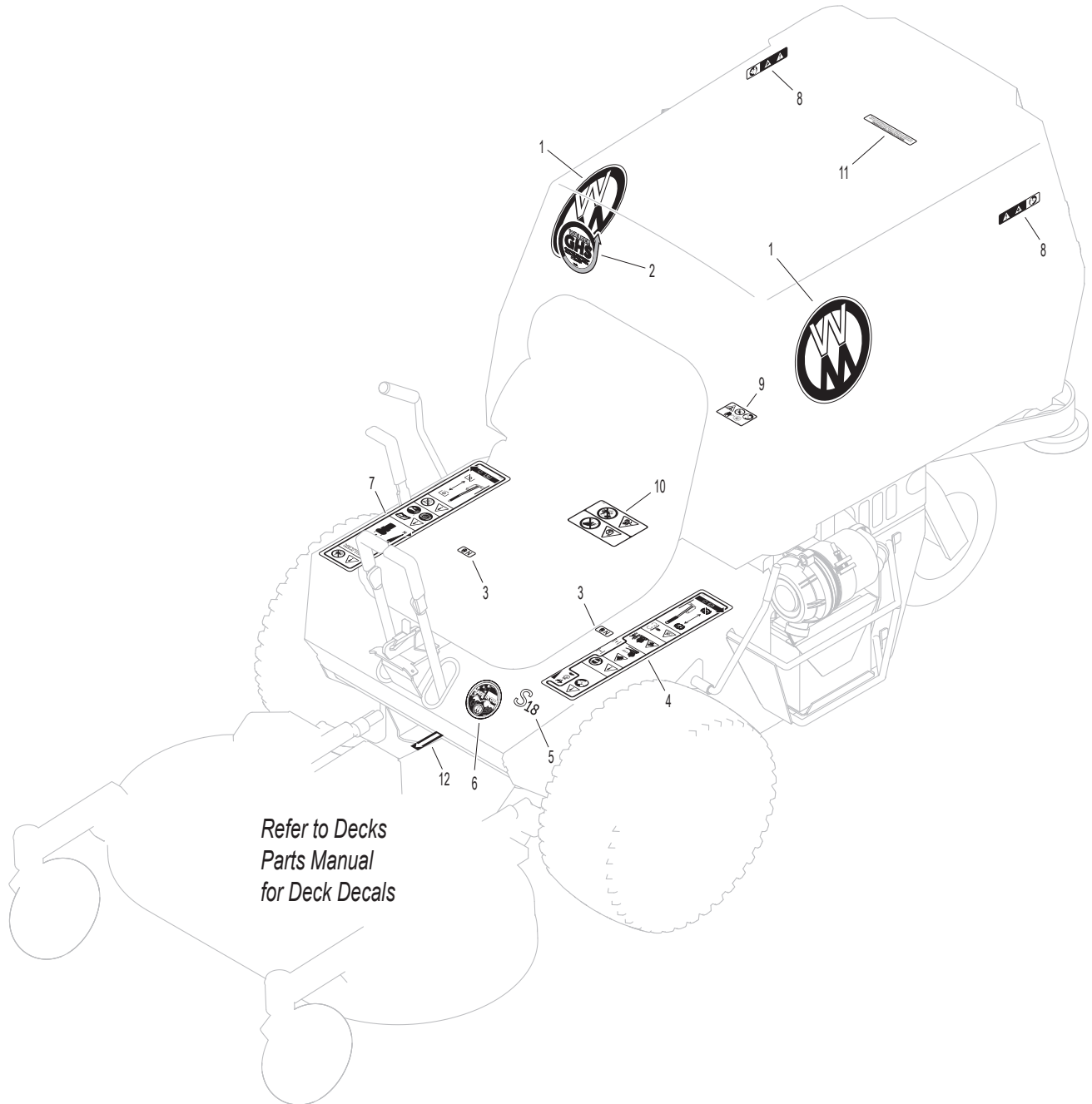
<i>Section of Tractor Covered</i>	<i>Page</i>	<i>Section of Tractor Covered</i>	<i>Page</i>
<hr/>		<hr/>	
<b>Decals</b>		<b>Electrical Components</b>	
Tractor Decals .....	2	Electrical Assembly .....	22
<b>Body / Chassis Assemblies</b>		Electrical Assemblies (GHS 7.0 Bushel Components).....	24
Body / Chassis Assembly .....	4	<b>Maintenance</b>	
Rear Body Assembly.....	6	Lubrication Points .....	26
<b>Tractor Components</b>		Wiring Schematic .....	28
Main Component Power Transmission .....	8	<b>Warranty</b>	
Engine Group .....	10	Limited Warranty .....	29
Hydrostatic Ground Drive Assemblies.....	12		
Steering Control Assemblies.....	14		
GHS Group .....	16		
GHS Powerfil® Assembly (7.0) .....	18		
GHS 7.0 Bushel Catcher Assembly.....	20		

# TRACTOR DECALS

ITEM NO.	PART NO.	DESCRIPTION	LOCATION	NO. REQ'D GHS
<b>Walker Product Decals</b>				
1	5800-11	Walker (8" Round)	7.0 Bushel Catcher (one on each side)	2
2	5813-2	Decal, 4" Grass-Pak Powerfil®	Powerfil® Cover Plate	1
3	9804-1	Axle Lockout	Chassis	2
4	8600-44	LH Fender	Body, LH near Seat	1
5	8821-21	Decal, S18	Body	1
6	5856-1	Made in USA	Body	1
7	8600-45	RH Fender	Body, RH near Seat	1
<b>Danger Decals Warning Decals Caution Decals</b>				
8	8600-10	Danger, Pinch Point	7.0 Bushel Catcher Mounting Frame Assembly (one on each side)	2
9	8600-12	Danger, Engine Exhaust	Engine	1
10	8600-4	Danger, Rotating Blower Blades	Body, Near Body Chute	1
<b>Maintenance Decals</b>				
11	5869	Removable Screen	7.0 Bushel Catcher Removable Screen	1
12	6875	PTO Alignment Arrow	Universal Joint Tube Assembly	1

**NOTE:** All parts requiring decals are shipped with decals applied.

# TRACTOR DECALS



# BODY / CHASSIS ASSEMBLY

ITEM NO.	PART NO.	DESCRIPTION	NO. REQ'D	ITEM NO.	PART NO.	DESCRIPTION	NO. REQ'D
<b>Seat Assembly</b>				<b>Deck Support Arm &amp; Hitch Assemblies</b>			
1	5103-3	Seat W/Switch	1	39	5830	Grease Fitting	2
2	7845-1	Rubber Bumper (1.375 x .750)	2	40	6840-1	Support Arm Bushing (2-1/16)	2
3	7440-5	Shock Mount (1-1/4 x 3/4)	4	41	6431-5	Deck Arm Mount	2
<b>Rear Bumper Assembly</b>				42	6431-9	Deck Arm Support, LH (Includes Item # 39)	1
4	7516-5	Catcher Pivot Bushing	2	43	5775-2	Hitch Pin (#6)	2
5	5517-6	Rear Bumper	1	44	5303-5	Deck Arm Hydro Mount, LH	1
6	7517-3	Catcher Pivot Plate	2	45	5303-6	Deck Arm Hydro Mount, RH	1
7	5162	Roller Wheel (5" Rubber)	2	46	6431-8	Deck Arm Support, RH (Includes Item # 39)	1
8	5517-12	Catcher Support Brace	2	<b>Fasteners</b>			
<b>Body Assembly</b>				F004		1/4-20 Keps Nut	14
9	5100-21	Welded Body	1	F005		1/4-20 ESNA Nut	1
10	4102-1	Body Guide, Upper	1	F009		5/16-18 Whiz Locknut	30
11	7844	Rubber Bumper (1.25 x .250)	2	F013		3/8-16 Whiz Locknut	2
12	NS	Body ID Plate	1	F014		3/8-16 ESNA Nut	2
13	5180	Edge Molding, Lever Opening	2	F016		1/2-13 Self-Locking Nut	1
14	4504-3	Hinge (19")	1	F020		5/16-18 ESNA Nut	1
<b>Tilt-Up Latch Assembly**</b>				F029		1/4-20 x 1/2 Hex Bolt	4
15	5847	Plastic Tip	1	F032		1/4-20 x 3/4 Hex Bolt	2
16	5744-20	Spring Arm, Tilt-Up Latch	1	F034		5/16-18 x 3/4 Hex Bolt	14
17	5744-10	Spring Pivot Bushing	1	F038		3/8-16 x 1 Hex Bolt	2
18	5744-15	Compression Spring (3/8 x 5/8)	1	F041		3/8-16 x 1-3/4 Hex Bolt	2
19	5744-13	Mount Angle, LH	1	F042		3/8-16 x 2-1/4 Hex Bolt	2
20	5744-12	Hook, Tilt-Up Latch	1	F049		5/16 SAE Washer	8
21	5744-14	Mount Angle, RH	1	F053		7/16 Int. Star Lock Washer	2
<b>Chassis Assembly</b>				F059		3/8 Wave Spring Washer	2
22	9046	Gas Tank Mount	1	F093		5/16-18 x 1 Hex Bolt	1
23	5300-17	Chassis Frame	1	F116		1/4-20 x 1-1/4 Hex Bolt	1
24	5267-1	Retainer Collar (1") (Includes Item # F413)	1	F151		3/8-16 x 7/8 Hex Bolt	2
25	5270-1	Ball Bearing	2	F200		7/16-20 x 3 Grade 8 Bolt	2
26	5420-2	Tail Wheel Fork	1	F206		#2 x 3/16 Drive Pin	2
27	8769-12	Bearing Cup (1/2 ID)	2	F226		5/16-18 x 7/8 Hex Bolt	4
28	5037-1	Bearing, Tail Wheel	2	F241		.375 x .875 x .10 Washer	4
29	5035	Tail Wheel & Tire Assembly (13 x 6.50-6)	1	F246		1/4-20 x 1/2 PTHMS	8
	5035-1	Tail Wheel Tire (13 x 6.50-6)	*	F292		1/2-13 x 8-1/2 Hex Bolt, GR 5	1
	5036	Tail Wheel & Hub (6 x 4.5)	*	F341		Coil Roll Pin (7/64 x 9/16)	1
30	5038-1	Axle Spacer Tube (6-5/8)	1	F342		5/16 Conical Washer	2
31	6390-4	Battery Guard	1	F413		5/16-24 x 5/16 Set Screw	2
32	5300-20	Debris Shield	1	F438		5/16-18 x 2-3/4 Hex Bolt	4
33	5146	10mm Ball Stud	2	F477		1/4-20 x 5/8 Carriage Bolt	2
34	5145-4	Gas Spring Assembly (Includes Item # 33)	1	F569		1/4-20 Flange Top Lock Nut	2
35	7383-1	Body Latch Hook	1	F570		3/8-16 Flange Top Lock Nut	4
36	7854	Plastic Tip, Red	1	F637		Washer .835 x .505 x .125	2
37	7222	Extension Spring (1/4 x 3)	1	* Service Part Only			
38	4102-2	Body Guide, Lower	1	** Complete Tilt-Up Latch Assembly Kit available by ordering kit # 5747.			



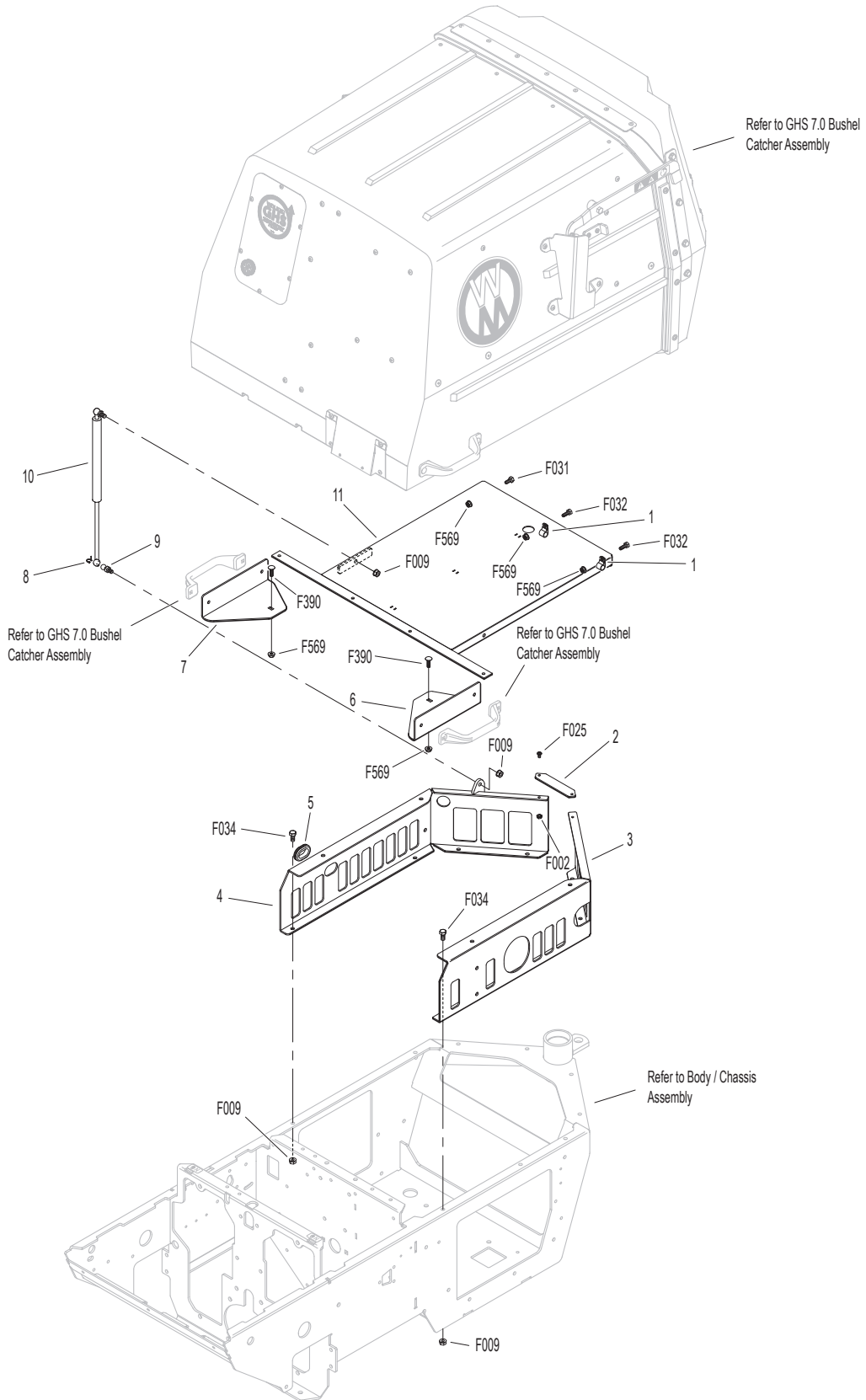
# REAR BODY ASSEMBLY

ITEM NO.	PART NO.	DESCRIPTION	NO. REQ'D	ITEM NO.	PART NO.	DESCRIPTION	NO. REQ'D
<b>Rear Body Assembly</b>				<b>Fasteners</b>			
1	6832	Cable Clamp (9/16 x 1/4)	2	F002		10-24 Keps Nut	2
2	5100-13	Rear Body Tie-In	1	F009		5/16-18 Whiz Locknut	10
3	5100-11	Rear Body Panel, LH	1	F025		10-24 x 3/8 PPHMS	2
4	5100-12	Rear Body Panel, RH	1	F031		1/4-20 x 5/8 Hex Bolt	1
5	5977-8	Grommet (1 x 1-3/4)	1	F032		1/4-20 x 3/4 Hex Bolt	2
6	8515-14	Catcher Handle Plate, RH	1	F034		5/16-18 x 3/4 Hex Bolt	8
7	8515-13	Catcher Handle Plate, LH	1	F390		1/4-20 x 7/8 Carriage Bolt	2
8	7147	Spring Clip	2	F569		1/4-20 Flange Top Lock Nut	5
9	7146	13mm Ball Stud	2				
10	7145	Gas Spring Assembly (Includes Items # 8 & 9)	1				
11	6515	Catcher Support Frame	1				

**NOTE:** Rear Bumper Assembly for GHS Models is not shown here.  
Refer to **BODY / CHASSIS ASSEMBLY**, Page 4.



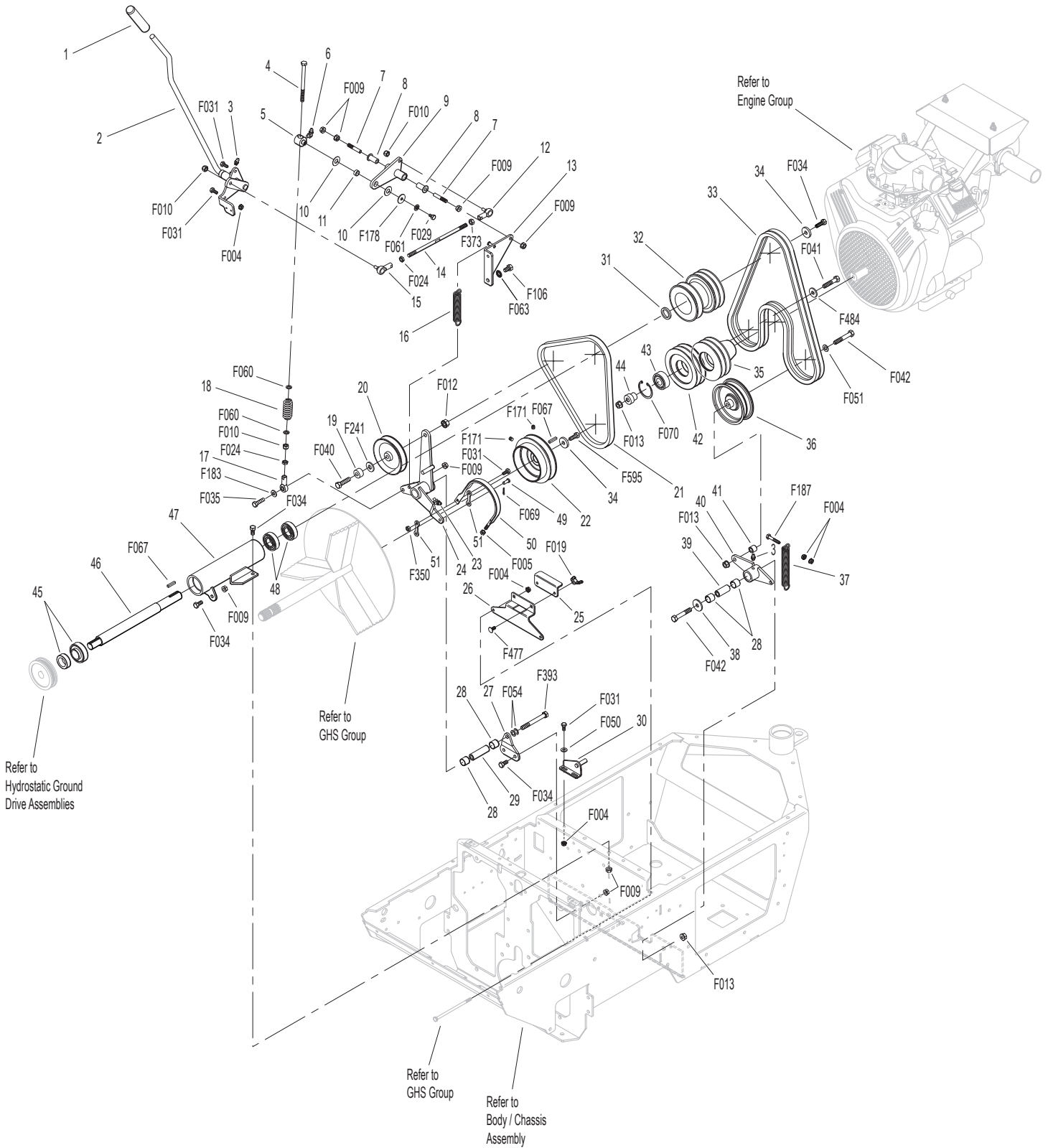
# REAR BODY ASSEMBLY



# MAIN COMPONENT POWER TRANSMISSION

ITEM NO.	PART NO.	DESCRIPTION	NO. REQ'D	ITEM NO.	PART NO.	DESCRIPTION	NO. REQ'D
<b>PTO Drive Assembly</b>				45	5270	Bearing W/Collar (1")	1
1	4850	Handle Grip, Black	1	46	6273-5	Jackshaft (1 x 12-13/16)	1
2	6358-29	Clutch Lever	1	47	6394-7	Jackshaft Bearing Housing	1
3	5830	Grease Fitting	2	48	6273-4	Bearing (7/8")	2
4	4303-7	Clutch Actuator Bolt (5/16)	1	<b>Blower Brake Assembly</b>			
5	7380	Knuckle Joint	1	49	7523-2	Clevis Pin W/Hole (1/4 x 5/8)	1
6	5830-4	Grease Fitting (90 Degree)	1	50	8304	Brake Band (14-1/2)	1
7	2358-6	5/16-18 x 1-3/4 Stud	2	51	4359-1	Brake Band Link, Front	2
8	5103-2	Pivot Bushing (5/16 ID)	2	<b>Fasteners</b>			
9	6325-5	Clutch Arm	1		F004	1/4-20 Keps Nut	9
10	7377	Plastic Washer (1 x .438 x .025)	2		F005	1/4-20 ESNA Nut	1
11	7378	Pivot Bearing (7/16 x 9/16)	1		F009	5/16-18 Whiz Locknut	11
12	5214-3	Ball Joint (5/16-24LH) (Nylon Lined)	1		F010	5/16-24 ESNA Nut	3
13	6325-6	Clutch Arm Support Bracket	1		F012	3/8-16 Keps Nut	1
14	6410-3	Clutch Pull Rod 8-5/8	1		F013	3/8-16 Whiz Locknut	3
15	5214-2	Ball Joint (5/16-24) (Nylon Lined)	1		F019	1/4-20 ESNA Wing Nut	2
16	5221	Extension Spring (3/4 x 4)	1		F024	5/16-24 Jam Nut	2
17	5214-4	Ball Joint (5/16-24) W/O Stud	1		F029	1/4-20 x 1/2 Hex Bolt	1
18	5226-1	Spring (3/4 x 2-1/2)	1		F031	1/4-20 x 5/8 Hex Bolt	6
19	6325-10	Spacer / Stop (3/8 x 7/8 x 1/2)	1		F034	5/16-18 x 3/4 Hex Bolt	7
20	5247-2	V-Groove Idler (4")	1		F035	5/16-18 x 1-1/4 Hex Bolt	1
21	5234-7	PTO Drive Belt (B31-K)	1		F040	3/8-16 x 1-1/2 Hex Bolt	1
22	5238-22	PTO Drive Pulley (5/B)	1		F041	3/8-16 x 1-3/4 Hex Bolt	1
23	5830-3	Grease Fitting (45 Degree)	1		F042	3/8-16 x 2-1/4 Hex Bolt	2
24	6358-4	PTO / Clutch / Brake Actuator (Includes Items # 23 & 28)	1		F050	1/4 SAE Washer	2
25	5300-11	Guide Top	1		F051	3/8 SAE Washer	1
26	5300-12	Belt Guide Base	1		F054	AN960616 Washer	2
27	6358-5	PTO / Clutch / Brake Support	1		F060	AN960516 Washer	2
28	7201-3	Fiberglide Bearing	4		F061	1/4 Star Lock Washer	1
29	7201-5	Inner Race (2-1/4)	1		F063	3/8 Int. Star Lock Washer	2
30	5303-3	Belt Guide Mount	1		F067	3/16 x 3/16 x 1 Key	2
<b>Engine Belt Tightener Assembly</b>					F069	3/32 x 1/2 Cotter Pin	1
31	6394-5	Jackshaft Washer	1		F070	1-3/4 Internal Snap Ring	1
32	5240-3	Compound Pulley, 4B	1		F106	3/8-16 x 5/8 Hex Bolt	2
33	4230-1	Engine / PTO Belt	1		F171	5/16-18 x 3/8 Set Screw	2
34	9051	Washer (5/16 x 1-3/8)	2		F178	1/4 x 1 Fender Washer	1
35	5237-3	Engine Pulley (4.25 / AA)	1		F183	.312 x .700 x .074 Washer	1
36	4245-1	Idler Pulley (4 / Flat)	1		F187	1/4-20 x 1-1/2 Hex Bolt	1
37	5221-1	Extension Spring (3/4 x 5)	1		F241	.375 x .875 x .10 Washer	1
38	5841	Retainer Washer (3/8 x 1-1/4)	1		F350	1/4-20 LP Nylock	1
39	7201-4	Inner Race (1-1/2)	1		F373	5/16-24 Hex Nut, LH	1
40	6345-5	Idler Arm (Includes Items # 3 & 28)	1		F393	3/8-16 x 3-1/4 Hex Bolt	1
41	6325-3	Spacer Bushing (9/16)	1		F477	1/4-20 x 5/8 Carriage Bolt	2
42	6245-2	Idler Pulley (4.5 / AA)	1		F484	Washer .380 ID x 1.0 OD x .120	1
43	5265	Bearing (3/4)	1		F595	5/16-18 x 7/8 Hex Bolt Grade 8	1
44	6243-5	Hub, Idler Pulley	1				

# MAIN COMPONENT POWER TRANSMISSION



# ENGINE GROUP

ITEM NO.	PART NO.	DESCRIPTION	NO. REQ'D	ITEM NO.	PART NO.	DESCRIPTION	NO. REQ'D
----------	----------	-------------	-----------	----------	----------	-------------	-----------

## Fuel Tank Assembly

1	5082-4	2-1/4 Ratchet Fuel Cap	1
2	8055-2	Fuel Tank Gauge	1
3	M246	Fuel Line, Tank to Filter (1/4 x 8-1/2")	1**
4	5879-3	Hose Clamp (1/2)	3
5	5083-8	Tank Tube (13")	1
6	8043-8	Roll Over Valve	1
7	5083-1	Bushing, Rubber (Fits 5083)	1
8	5977-7	Roll Over Grommet (.900 x 1-1/2)	1
9	5020	Fuel Filter	1
10	5975-3	Cable Tie (#50 x 7")	3
11	4010-5	3/8 NPT Street L	1
12	7833-2	Cable Clamp (1 x 1/4)	2
13	M246	Fuel Line, Filter to Engine (1/4 x 21")	1**
14	M113	Fuel Line (3/16 x 26")	1**
15	5086-7	Hose (1/4 x 6)	1
16	5020-2	Fuel Filter, In Tank	1
17	6055-2	Fuel Tank, 4.0 Gal. Gas (Black) (Includes Items # 2, 5, 6, 8, 15 & 16)	1

## Engine Assembly

18	5303-11	Engine Support Brace	1
19	4104-9	Heat Shield, Aluminum	1
20	NS	18 HP Engine (Briggs & Stratton)	1
21	5013-16	Exhaust Clamp (1-1/4")	1
22	5013-13	Muffler Pipe Extension	1
23	6545-3	Engine Pulley Washer	2
24	5270-1	Ball Bearing	1
25	5237-4	Engine Pulley Bushing	1
26	5237-5	Engine Pulley Mount Plate	1

## Precleaner Assembly

27	6029	Hose Clamp (1-3/4 to 2-1/4)	2
28	6087-7	Air Intake Hose	1
29	2090-21	Air Cleaner Assembly (Includes Items # 32-35)	1
30	5088-15	1/8" Female NPT Brass Cap	1
31	7854-1	Plastic Tip, Black (.218 ID)	1
32	5088-3	Air Cleaner Band	1
33	2090-3	Safety Filter Insert	1
34	2090-1	Air Cleaner Cartridge	1
35	2088-2	Air Cleaner Cap	1

## Throttle and Choke Assemblies

36	8108-4	Control Cable (58"), Throttle	1
37	5122-3	Control Cable (58"), Choke	1
38	5108-1	Control Lever, Throttle and Choke	2
39	5108-5	Throttle Control Knob, Red	1
40	5108-11	Friction Washer (.062)	1
41	5108-6	Choke Control Knob, Black	1
42	7108	Control Assembly, Throttle and Choke (Includes Items # 38, 40, 43-45 & F201)	*
	2108-2	Throttle Control and Cable Assembly (Complete Control and Cable Assembly)	*
	5121-3	Choke Control and Cable Assembly (Complete Control and Cable Assembly)	*
43	5108-8	Control Bracket	2
44	5108-10	Friction Washer (.125)	1
45	5108-7	Control Lock Tab	2
46	5172	Bearing, Delrin (.250 x .375 x .250)	2

## Fasteners

F002	10-24 Keps Nut	6
F004	1/4-20 Keps Nut	4
F005	1/4-20 ESNA Nut	2
F009	5/16-18 Whiz Locknut	9
F025	10-24 x 3/8 PPHMS	4
F034	5/16-18 x 3/4 Hex Bolt	5
F049	5/16 SAE Washer	1
F050	1/4 SAE Washer	2
F115	#8 SAE Washer	2
F164	10-24 x 1/4 x 3/8 SHL Bolt	2
F183	.312 x .700 x .074 Washer	4
F184	1/4-20 x 1/2 Hex Bolt, SS	2
F185	1/4 Internal Star Lock Washer, SS	2
F198	.250 x .625 x .040 Washer, SS	2
F201	1/4 Belleville Spring Washer	4
F316	5/16-18 x 1-3/4 Hex Bolt	4
F328	M6 x 1.0 x 16 Hex Bolt	2
F392	1/4-20 x 1 Set Screw, SS (Cup Point)	2
F435	1/4 x 1/4 x 1-1/4 Key	1
F467	2" Internal Snap Ring	1
F481	Washer 5/16 x 1 x .125	1
F497	M8 x 20 Hex Bolt	1
F572	3/8-24 x 5/8 SFH Cap Screw	2
F573	3/8-24 x 1-1/4 SFH Cap Screw	1

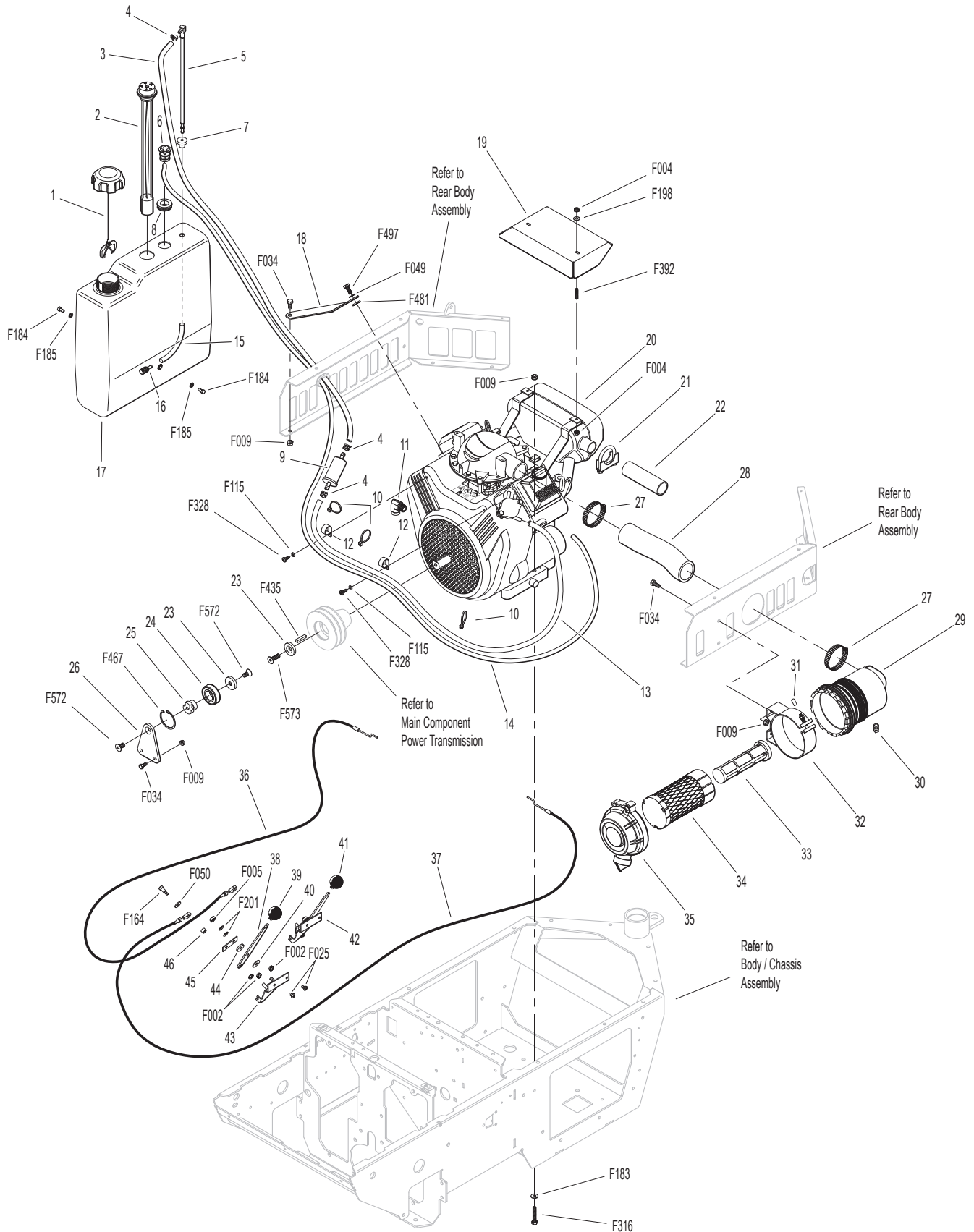
\* Service Part Only

### \*\* Required hose specifications:

M113 - 3/16" ID fuel/oil/vapor hose (Gates 4219-0093 or equivalent)

M246 - 1/4" ID low permeation (<15g/m<sup>2</sup>/day) fuel hose (Parker 38904 or equivalent)

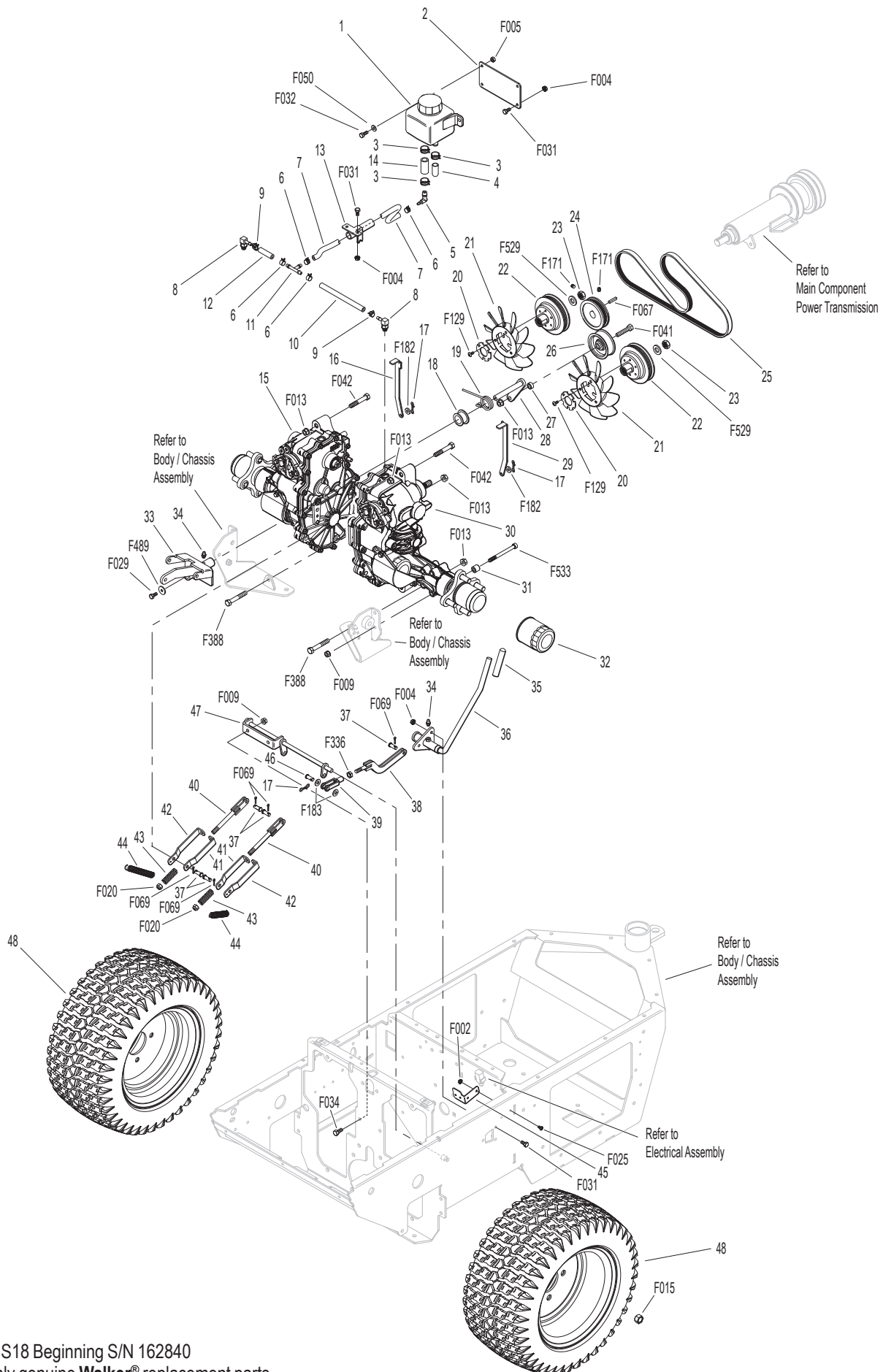
# ENGINE GROUP



# HYDROSTATIC GROUND DRIVE ASSEMBLIES

ITEM NO.	PART NO.	DESCRIPTION	NO. REQ'D	ITEM NO.	PART NO.	DESCRIPTION	NO. REQ'D
<b>Transaxle Reservoir Assembly</b>				41	6406-4	Parking Brake Pull Mount, Inner	2
1	2025-1	Oil Expansion Reservoir (71327)	1	42	6406-5	Parking Brake Pull Mount, Outer	2
2	4025-2	Reservoir Bottle Mount	1	43	5665-1	Compression Spring (2-1/2)	2
3	5879-8	Hose Clamp (13/16)	3	44	5222	Extension Spring (1/2 x 3-1/4)	2
4	2025-8	Reservoir Bottom Caps	1	45	5942-19	Parking Brake Safety Switch Mount	1
5	4025-3	Elbow (1/4 x 1/2)	1	46	2406-4	Clevis Pin (5/16 x 1-1/8)	1
6	5879-3	Hose Clamp (1/2)	4	47	6406-3	Parking Brake Actuator	1
7	M111	Hose (1/4 x 14")	1**	<b>Wheel Assembly</b>			
8	2025-17	Straight Thread Hose Fitting	2	48	5075-3	LP Wheel & Tire Assembly (18 x 8.50-10)	2
9	5879-4	Hose Clamp (7/16)	2		5075-2	LP Tire (18 x 8.50-10)	*
10	M111	Hose (1/4 x 6-5/8")	1**		5075-5	LP Wheel (10 x 7)	*
11	8043-9	1/4 x 1/4 x 1/4 Tee	1	<b>Fasteners</b>			
12	M111	Hose (1/4 x 1-5/8")	1**	F002	10-24 Keps Nut		2
13	7364-9	Reservoir Hose Guide	1	F004	1/4-20 Keps Nut		7
14	5087-1	Hose (1/2 x 1-3/4)	1	F005	1/4-20 ESNA Nut		2
<b>Ground Drive Assemblies</b>				F009	5/16-18 Whiz Locknut		6
15	5026-32	Hydro-Gear ZT3100, RH	1	F013	3/8-16 Whiz Locknut		5
16	2028-6	Lockout Arm, RH	1	F015	1/2-20 Wheel Lug Nut		8
17	4407-4	Bow Tie Cotter Pin	3	F020	5/16-18 ESNA Nut		2
18	7364-3	Idler Spring Bushing	1	F025	10-24 x 3/8 PPHMS		2
19	7364-2	Torsion Spring	1	F029	1/4-20 x 1/2 Hex Bolt		1
20	5025-18	Hydro Fan Washer	2	F031	1/4-20 x 5/8 Hex Bolt		7
21	5025-17	Hydro Fan	2	F032	1/4-20 x 3/4 Hex Bolt		2
22	7244-22	Hydro Pulley (4.075) Splined	2	F034	5/16-18 x 3/4 Hex Bolt		2
23	5025-19	Hydro Fan Nut	2	F041	3/8-16 x 1-3/4 Hex Bolt		1
24	7241-2	Transmission Drive Pulley (3-1/4MV) (Includes Items # F067 & F171)	1	F042	3/8-16 x 2-1/4 Hex Bolt		2
25	5232-1	Ground Drive Belt (Micro V)	1	F050	1/4 SAE Washer		2
26	5245-1	Idler Pulley	1	F067	3/16 x 3/16 x 1 Key		1
27	6325-2	Spacer Bushing (5/16)	1	F069	3/32 x 1/2 Cotter Pin		5
28	6345-4	Idler Arm	1	F129	10-24 x 1/2 PTHMS		6
29	2028-5	Lockout Arm, LH	1	F171	5/16-18 x 3/8 Set Screw		2
30	5025-32	Hydro-Gear ZT3100, LH	1	F182	1/4 x 5/8 x 1/8 Washer		2
31	9430-1	Spacer Tube	4	F183	.312 x .700 x .074 Washer		2
32	2026-6	Hydro-Gear® Oil Filter (52114)	2	F336	3/8-16 Jam Nut		1
33	6215	Shock Mount / Body Lift Arm (Includes Item # 22)	1	F388	3/8-16 x 2-1/2 Hex Bolt		2
34	5830	Grease Fitting	2	F489	Washer 1/4 x 7/8 x .090		1
<b>Parking Brake Assembly</b>				F529	Washer 1.0 OD x .515 ID x 1/8		2
35	7406-1	Handle Grip, Red	1	F533	Socket Cap Bolt, 5/16-18 x 3-1/2		4
36	6406-6	Parking Brake Lever (Includes Item # 34)	1	* Service Part Only			
37	8655-4	Clevis Pin (5/16 x 3/4)	5	** <b>Required hose specifications:</b>			
38	6406-1	Brake Actuator Pull	1	M111 - 1/4" ID fuel/oil/vapor hose (Gates 4219-0103 or equivalent)			
39	2280	Clevis (3/8)	1				
40	6406-2	Parking Brake Pull Rod	2				

# HYDROSTATIC GROUND DRIVE ASSEMBLIES



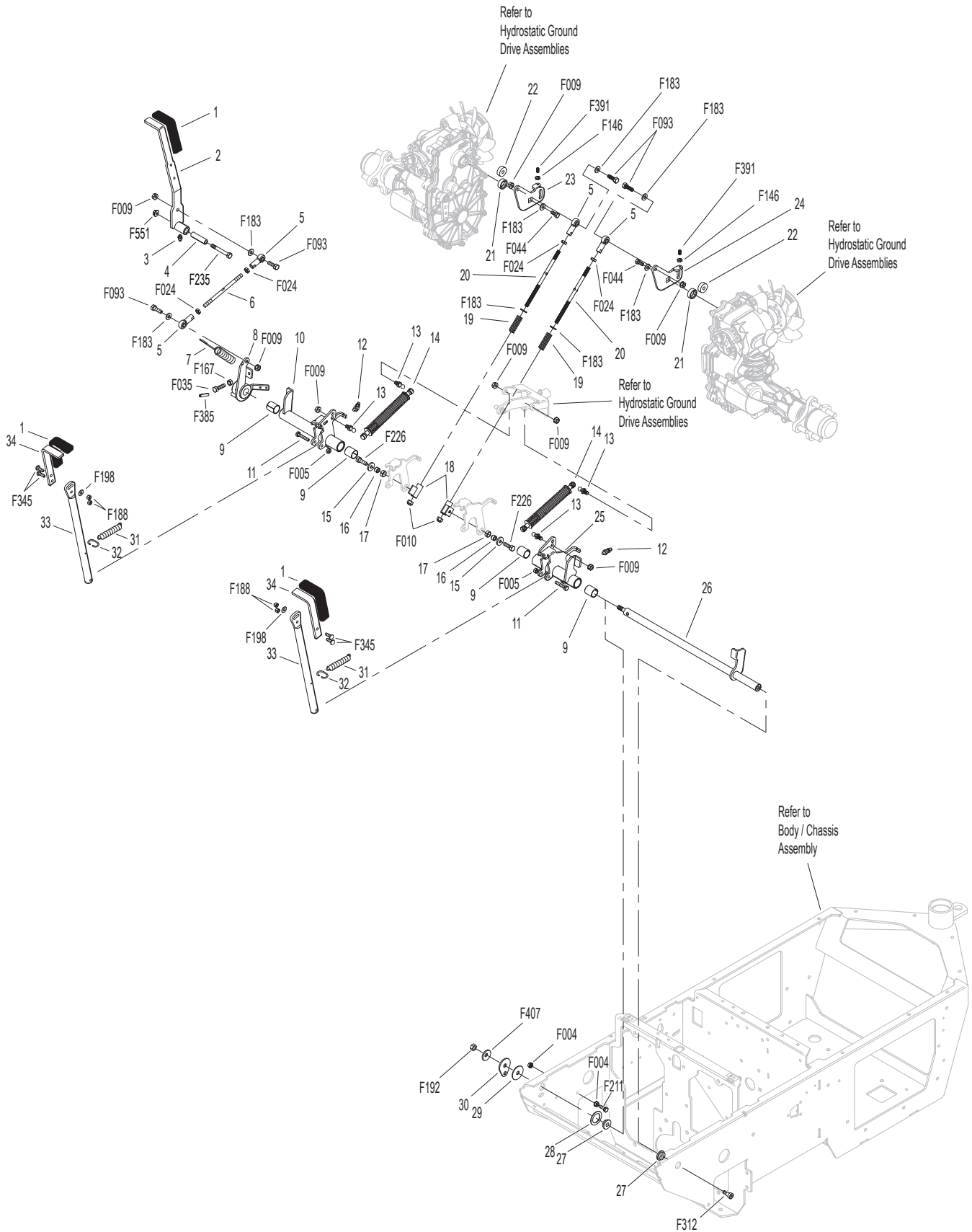
# STEERING CONTROL ASSEMBLIES

ITEM NO.	PART NO.	DESCRIPTION	NO. REQ'D	ITEM NO.	PART NO.	DESCRIPTION	NO. REQ'D
<b>Steering Lever &amp; FSC Assemblies</b>				<b>Fasteners</b>			
1	5850-2	Handle Grip, Foam (5-1/2)	3	F004		1/4-20 Keps Nut	2
2	4170-4	FSC Lever Assembly (Includes Item # 3)	*	F005		1/4-20 ESNA Nut	2
3	5830	Grease Fitting	1	F009		5/16-18 Whiz Locknut	8
4	7201-11	Inner Race (1.938)	1	F010		5/16-24 ESNA Nut	2
5	5214-4	Ball Joint (5/16-24) W/O Stud	4	F024		5/16-24 Jam Nut	4
6	4173-3	Control Rod (4-7/16)	1	F035		5/16-18 x 1-1/4 Hex Bolt	1
7	4219	Extension Spring (3/4 x 6-1/2)	1	F044		5/16-24 x 3/4 Hex Bolt	2
8	4451-9	FSC Friction Actuator	1	F093		5/16-18 x 1 Hex Bolt	4
9	8201-3	Fiberglide Bearing	4	F146		1/4-20 Jam Nut	2
10	6451-2	Speed Control Actuator, RH (Includes Items # 9 & 12)	1	F167		5/16-18 Hex Nut	1
11	4452-6	Steering Pivot (1/4-20 x 1-5/8)	2	F183		.312 x .700 x .074 Washer	8
12	5830-3	Grease Fitting (45 Degree)	2	F188		1/4-20 Self-Locking Nut	4
13	5146	10mm Ball Stud	4	F192		3/8-24 Self-Locking Nut	1
14	4199-2	Steering Lever Dampener Assembly	2	F198		.250 x .625 x .040 Washer, SS	2
15	5463-6	Washer 5/16 x 3/4 x .250	2	F211		1/4-20 x 7/8 Hex Bolt	1
16	5463-5	Steering Arm Pivot Bushing (SS)	2	F226		5/16-18 x 7/8 Hex Bolt	2
17	7201-2	Fiberglide Bearing (1/2")	2	F235		5/16-18 x 2-1/2 Hex Bolt	1
18	5463-4	Steering Lever Actuator	2	F312		3/8 x 3/8 Shoulder Bolt	1
19	5665-1	Compression Spring (2-1/2)	2	F345		1/4-20 x .770 Knurled Bolt	4
20	4213-2	Control Rod (6-3/4)	2	F385		1/4 x 1-1/4 Roll Pin	1
21	2212-3	Seal Retainer	2	F391		1/4-20 x 1/2 Set Screw, SS	2
22	2212	Transmission Control Arm Stop	2	F407		Belleville Washer 3/8 x 1.187, SS	1
23	6212-2	Transmission Control Arm, RH	1	F551		5/16-18 Flange Top Lock Nut	1
24	6212-3	Transmission Control Arm, LH	1				
25	6451-1	Speed Control Actuator, LH (Includes Items # 9 & 12)	1				
26	4451-1	Steering Pivot Shaft W/Stop	1				
27	9704-3	Pivot Rod Bushing / Plastic	2				
28	4142-2	FSC Friction Washer (1-1/2 x 1-1/32 x 1/16)	1				
29	5141	FSC Friction Washer (1-1/2 x 3/8 x 1/16)	1				
30	4142-1	FSC Cam	1				
31	5222	Extension Spring (1/2 x 3-1/4)	2				
32	5450	D-Clip	2				
33	6452-1	Steering Lever Tube W/Tab	2				
34	5453-10	Steering Lever Handle / Adjustable (Includes Items # 1 & F345)	2				

\* Service Part Only

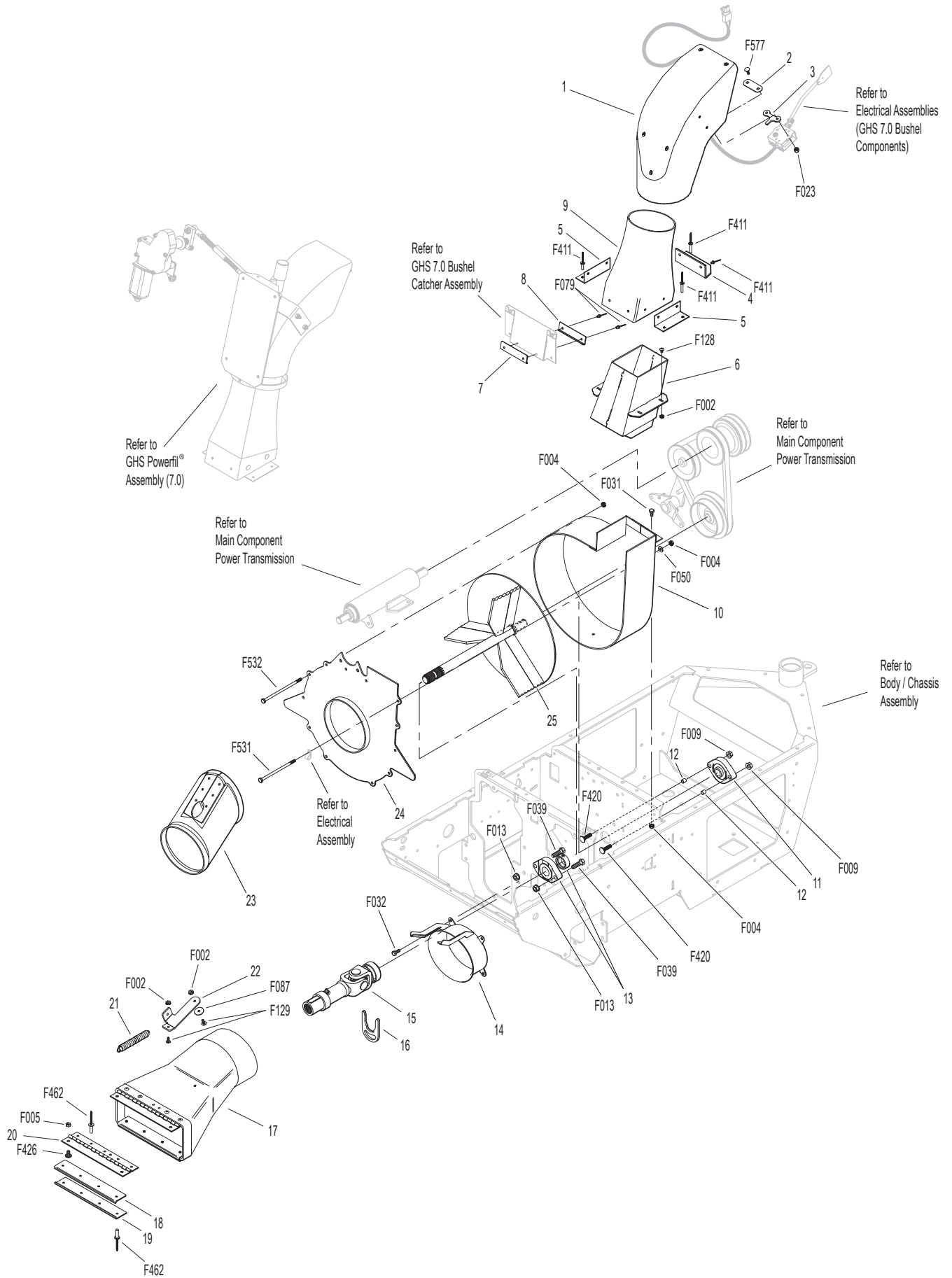


# STEERING CONTROL ASSEMBLIES



# GHS GROUP

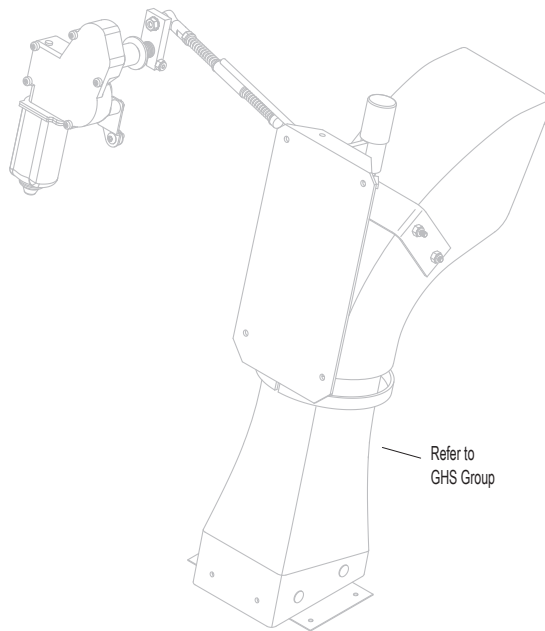
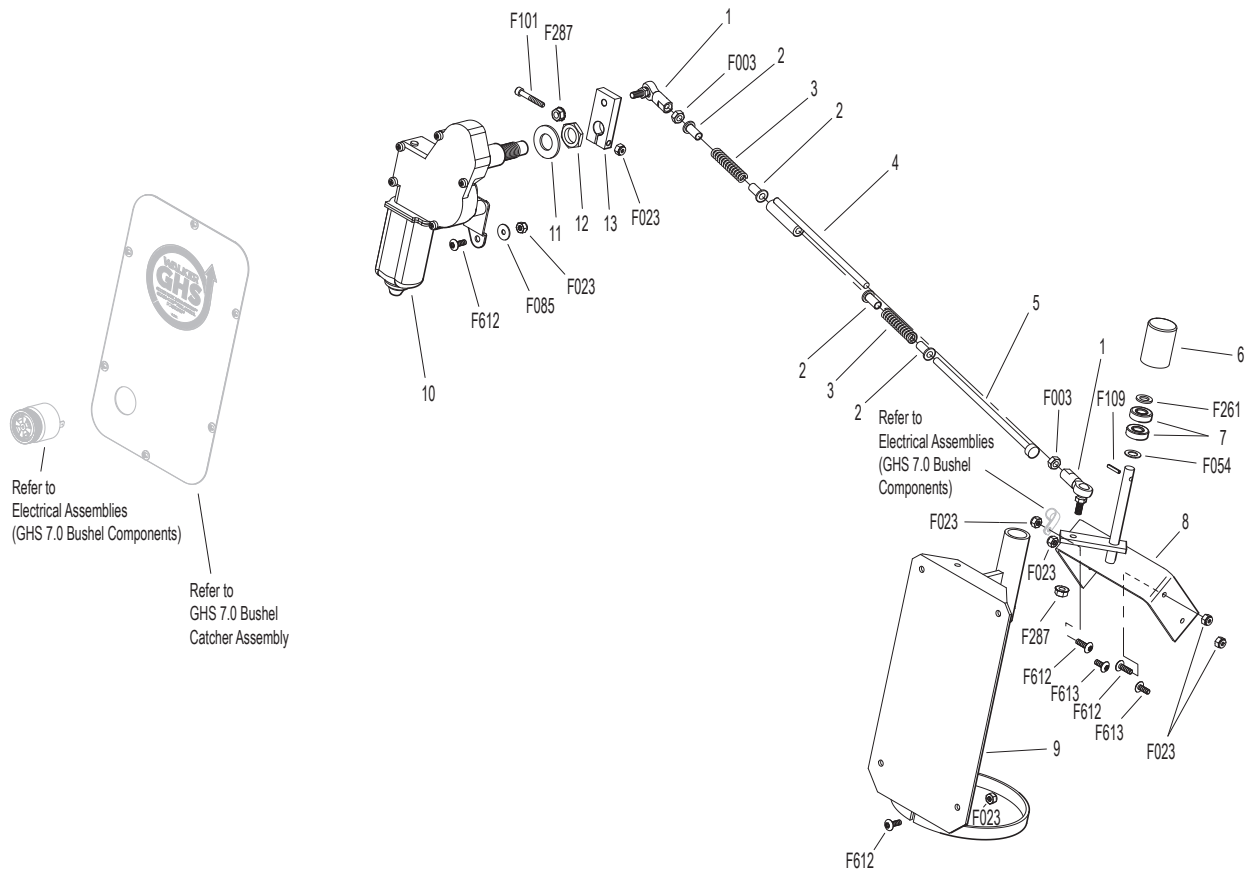
ITEM NO.	PART NO.	DESCRIPTION	NO. REQ'D	ITEM NO.	PART NO.	DESCRIPTION	NO. REQ'D
<b>Delivery Chute Assembly</b>				<b>Fasteners</b>			
1	5515-4	Elbow Delivery Spout	1	F002		10-24 Keps Nut	6
2	5592-24	Backing Plate, Grass-Pak® Switch	1	F004		1/4-20 Keps Nut	14
3	5592-23	Grass-Pak® Housing Spacer	1	F005		1/4-20 ESNA Nut	2
4	5578-1	Rear Clip Notched, Chute Mount	1	F009		5/16-18 Whiz Locknut	2
5	5577	Side Clip, Chute Mount	2	F013		3/8-16 Whiz Locknut	2
6	6530-6	Body Chute	1	F023		10-24 ESNA Nut	2
7	7511-5	Outside Chute Cover Lip	1	F031		1/4-20 x 5/8 Hex Bolt	2
8	7511-4	Inside Chute Cover Lip	1	F032		1/4-20 x 3/4 Hex Bolt	4
9	7511-2	7.0 Delivery Chute W/Clips (Includes Items # 4, 5, F079 & F411)	1	F039		3/8-16 x 1-1/4 Hex Bolt	2
<b>Blower Assembly</b>				F050		1/4 SAE Washer	2
10	6543-5	Blower Scroll	1	F079		A/A66D Aluminum Pop Rivet	2
11	6349-2	Flanged Bearing (3/4")	1	F087		#10 x 7/8 Fender Washer	1
12	6349-1	Sleeve .3150 x .375 x 3/8	2	F128		10-24 x 3/8 PTHMS	4
13	4349-14	Flanged Bearing (1") Machine Flat	1	F129		10-24 x 1/2 PTHMS	2
14	5526-9	Receiver Cone	1	F411		3/16 Bulbex Rivet	12
15	7275-3	U-Joint Tube, Splined	1	F420		5/16-18 x 1-1/4 Carriage Bolt	2
16	7275-9	Quick Coupler Installation Tool	**	F426		1/4-20 x 1/2 Carriage Bolt	2
17	5794-3	Discharge Chute With Spring Mount (Includes Items # 18-20, 22, F002, F087, F129 & F462)	1	F462		3/16 x .468 (+/- .010) Semi-Tube Rivet	8
18	5755-2	Chute Lip, Top	1	F531		1/4-20 x 5 Hex Bolt	11
19	5755-3	Chute Lip, Bottom	1	F532		1/4-20 x 5-1/2 Hex Bolt	1
20	5726	Chute Hinge (2 x 8)	1	F577		10-24 x 5/8 Carriage Bolt	2
21	8677	Extension Spring (1 x 6-1/16)	1	* Service Part Only			
22	8678-4	Spring Mount, Chute	1	** The Quick Coupler Installation Tool is used to assist the installation of the Quick Coupler Tube and PTO Shaft connection by holding the disconnect ring in the retracted position when joined to the tractor spline shaft on the PTO gearbox.			
23	5794-5	Fixed Chute	1				
24	6543-8	Blower Faceplate	1				
25	6545-7	Blower Wheel	1				



## GHS POWERFIL® ASSEMBLY (7.0)

ITEM NO.	PART NO.	DESCRIPTION	NO. REQ'D	ITEM NO.	PART NO.	DESCRIPTION	NO. REQ'D
<b>7.0 GHS Powerfil® Assembly</b>				<b>Fasteners</b>			
1	5552	Ball Joint (1/4-28)	2		F003	1/4-28 Hex Nut	2
2	5553-3	Bushing, Powerfil® Actuator	4		F023	10-24 ESNA Nut	10
3	5553-1	Compression Spring (1/2 x 2)	2		F054	AN960616 Washer	1
4	5558-2	Powerfil® Actuator Rod	1		F085	3/16 Rivet Backup Washer	1
	5549	Actuator Rod Assembly (Includes Items # 1-5 & F003)	*		F101	10-24 x 1-1/4 SHC Screw	1
					F109	1/8 x 5/8 Roll Pin	1
5	5558-1	Powerfil® Push Rod	1		F261	AN960616L Washer	1
6	5551-3	Bearing Cap, Powerfil®	1		F287	1/4-28 Keps Nut	2
7	5551-1	Pivot Bearing (#S3PP)	2		F612	10-24 x 5/8 Truss Head Torx	7
8	5518-2	Pivot, Delivery Spout	1		F613	10-24 x 1/2 Truss Head Torx	2
9	5517-2	Pivot Mount	1				
10	5519-5	Actuator Motor (12V) (Includes Items # 11 & 12)	1	*		Service Part Only	
11	5519-2	Motor Mount Washer	*				
12	5519-3	Motor Mount Nut (5/8-24)	*				
13	5554	Actuator Arm	1				

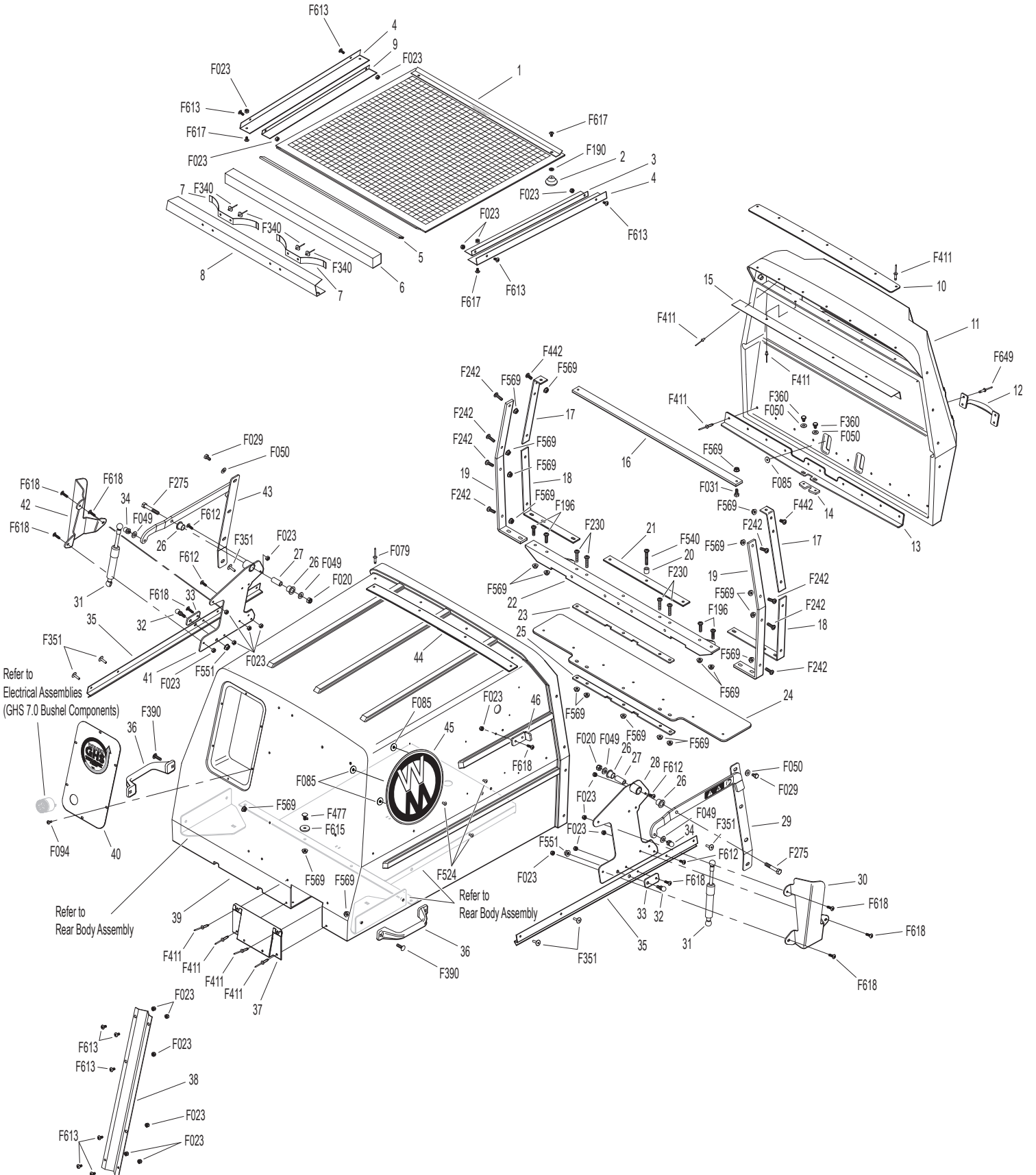
# GHS POWERFIL® ASSEMBLY (7.0)



# GHS 7.0 BUSHEL CATCHER ASSEMBLY

ITEM NO.	PART NO.	DESCRIPTION	NO. REQ'D	ITEM NO.	PART NO.	DESCRIPTION	NO. REQ'D
<b>Upper Baffle Screen Assembly (Removable)</b>				40	7607-8	Powerfil® Cover Plate	1
1	7512-12	Removable Screen (3/16 Hole) (Includes Items # 2, F190 & F617)	1**	41	7608-4	Hinge Plate, RH	1
2	7506	Knob / Threaded Insert (10-24)	2	42	8155-8	7.0 Gas Spring Cover, RH	1
3	7509-7	Channel Top, LH	1	43	7607-14	Catcher Door Arm, RH	1
4	8606-2	Channel Bottom	2	44	7584-3	Reinforcing Strap	1
5	6856-1	Edge Molding (21-3/4")	1	45	5801-3	Decal Plate, Round (Set of 2)	1
6	6507	Screen Seal (23-1/4")	1	46	7608-5	Door Arm Stop	2
7	7505	Mustache Spring	2	<b>5598-2 Optional Dump Bag (Not Shown)</b>			
8	7509-6	C-Channel With Spring (Includes Items # 7 & F340)	1	May be ordered as an option. Contact your Walker dealer.			
9	7509-8	Channel Top, RH	1	<b>Fasteners</b>			
<b>7.0 Exhaust Deflector Door Assembly</b>					F020	5/16-18 ESNA Nut	2
10	7607-3	Upper Door Seal	1	F023	10-24 ESNA Nut	28	
11	7510-4	7.0 Catcher Box Door (Includes Frame) (Includes Items # 10, 12, 13, 15, F085, F411 & F649)	1	F029	1/4-20 x 1/2 Hex Bolt	2	
12	5583	Handle	1	F031	1/4-20 x 5/8 Hex Bolt	2	
13	7607-6	Lower Door Stiffener (7.0)	1	F049	5/16 SAE Washer	4	
14	8607-8	Door Guide	1	F050	1/4 SAE Washer	4	
15	7607-5	Upper Door Stiffener	1	F079	A/A66D Aluminum Pop Rivet	10	
<b>GHS 7.0 Bushel Catcher Assembly</b>				F085	3/16 Rivet Backup Washer	10	
16	7503-8	Center Strap (7.0)	1	F094	8-32 x 1/2 PTHMS	6	
17	7503-6	Upper Frame Doubler (7.0)	2	F190	#10 Internal Star Lock Washer	2	
18	7503-5	Lower Frame Doubler (7.0)	2	F196	1/4-20 x 1 PPHMS, SS	4	
19	7503-4	Outside Box Strap (7.0)	2	F230	1/4-20 x 1-1/4 PPHMS, SS	4	
20	8608-11	Catcher Door Finger	1	F242	1/4-20 x 7/8 PPHMS, SS	8	
21	8608-4	Center Frame Doubler	1	F275	5/16-18 x 2 Hex Bolt	2	
22	7503-11	Catcher Mount	1	F340	Rivet, Aluminum	4	
23	7610-4	Catcher Dump Flap Spacer (7.0)	1	F351	Aluminum Pop Rivet	6	
24	7610-8	Catcher Dump Flap With Plate	1	F360	1/4-20 x 3/8 Hex Bolt	2	
25	8610-3	Backing Plate / Dump Flap	1	F390	1/4-20 x 7/8 Carriage Bolt	4	
26	7620-3	Pivot Bushing (1/2 x 9/16)	4	F411	3/16 Bulbex Rivet	32	
27	7607-7	Bushing	2	F442	1/4-20 x 5/8 PTHMS	2	
28	7608-3	Hinge Plate, LH	1	F477	1/4-20 x 5/8 Carriage Bolt	4	
29	7607-15	Catcher Door Arm, LH	1	F524	3/16 x 3/8 Aluminum Rivet, Black	6	
30	8155-7	7.0 Gas Spring Cover, LH	1	F540	1/4-20 x 1-3/4 PPHMS, SS	1	
31	5155-5	Gas Spring	2	F551	5/16-18 Flange Top Lock Nut	2	
32	5155-13	3/4 Ball Stud	2	F569	1/4-20 Flange Top Lock Nut	29	
33	5523-6	Gas Spring Plate	2	F612	10-24 x 5/8 Truss Head Torx	4	
34	5155-12	5/16 Ball Stud	2	F613	10-24 x 1/2 Truss Head Torx	10	
35	5155-15	Box Support, Gas Spring	2	F615	1.0 x .255 x .125 Washer	4	
36	7532-1	Handle, Catcher Lift	2	F617	10-24 x 3/8 Truss Head Torx	4	
37	7511-6	Chute Cover	1	F618	10-24 x 3/4 Truss Head Torx	12	
38	7557-1	7.0 Wire Harness Channel	1	F649	3/16 x .510/.625 Grip Range Rivet, SS	4	
39	7510-3	7.0 Bushel Catcher Box	1	* Service Part Only			
	7502-6	7.0 Catcher W/Powerfil® (Includes Door)	*	** This screen can be replaced by P/N 7512-13 Removable Screen (3/4" holes) for improved air flow performance in wet conditions.			

# GHS 7.0 BUSHEL CATCHER ASSEMBLY



Model S18 Beginning S/N 162840  
Use only genuine Walker® replacement parts.

# ELECTRICAL ASSEMBLY

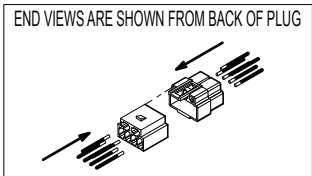
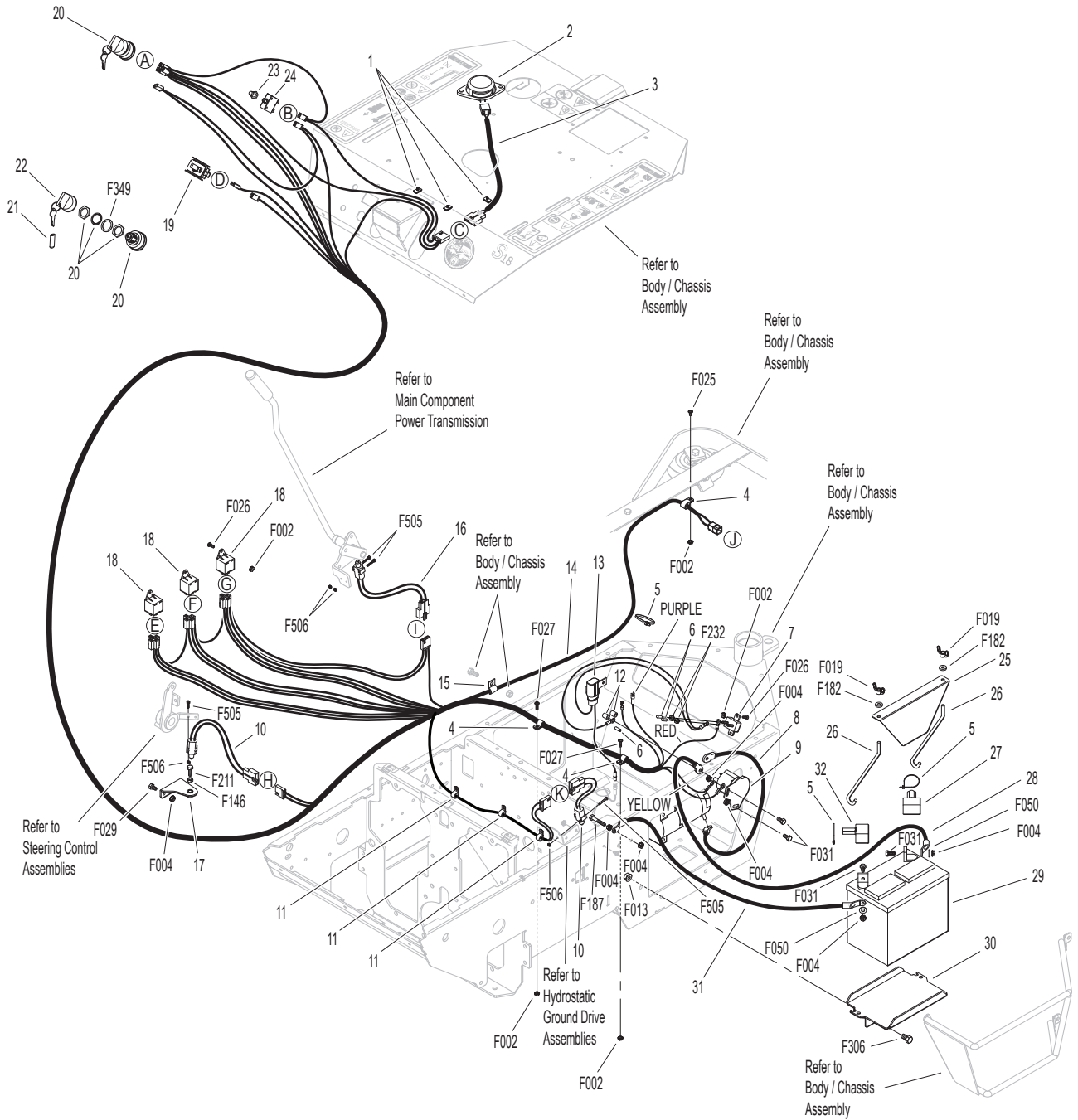
ITEM NO.	PART NO.	DESCRIPTION	NO. REQ'D	ITEM NO.	PART NO.	DESCRIPTION	NO. REQ'D
<b>Electrical Assembly</b>				<b>Fasteners</b>			
1	7834-3	Wire Saddle (3 Wires)	3	F002		10-24 Keps Nut	8
2	5103-12	Seat Switch	1*	F004		1/4-20 Keps Nut	8
3	6104-12	Adapter Harness	1	F013		3/8-16 Whiz Locknut	2
4	5832	Cable Clamp (1/2)	3	F019		1/4-20 ESNA Wing Nut	2
5	5975-1	Cable Tie (18# x 3-3/4")	3	F025		10-24 x 3/8 PPHMS	1
6	8404-8	Plastic Cover, Red	3	F026		10-24 x 1/2 PPHMS	5
7	8941	Circuit Breaker (30 Amp) (Auto Reset/Sealed)	1	F027		10-24 x 5/8 PPHMS	2
8	6922	Battery Cable (+)	1	F029		1/4-20 x 1/2 Hex Bolt	2
9	4929	Starter Solenoid	1	F031		1/4-20 x 5/8 Hex Bolt	4
10	5942-8	Safety Switch (NO), Delta Side Mount	2	F050		1/4 SAE Washer	2
11	5833-1	Cable Clamp (1/4 x 1/4)	3	F146		1/4-20 Jam Nut	1
12	6681-23	Plastic Cap, Black	2	F182		1/4 x 5/8 x 1/8 Washer	2
13	4940-15	30A Fuse, Jumper Wire Assembly	1	F187		1/4-20 x 1-1/2 Hex Bolt	1
14	5943-10	Wire Harness Assembly	1	F211		1/4-20 x 7/8 Hex Bolt	1
15	5835-4	Cable Clamp (1/2), .343 Hole	1	F232		10-32 Keps Nut	2
16	5942-10	Safety Switch (NC), Delta Side Mount	1	F306		3/8-16 x 3/4 Hex Bolt	2
17	4024-13	Safety Switch Plate	1	F349		Washer .835 ID 1.122 OD, SS	1
18	6942	Relay Switch 20/40 Amp (NC)	3	F505		6-32 x 7/8 Hex Trim MS, SS	6
19	8990-1	Hourmeter (Global)	1	F506		6-32 Nylock Nut	6
20	8960-15	Ignition Switch (With Keys) (Includes Items # 20, 21 & F349)	1				
21	7854	Plastic Tip / Red	1				
22	8960-3	Key Set W/Umbrella	1				
23	7941-3	Boot, Circuit Breaker	1				
24	7941-8	Circuit Breaker (5 Amp)	1				
<b>Battery Assembly</b>							
25	5844-3	Battery Hold-Down Bar	1				
26	5839	Hook Bolt	2				
27	5933	Battery Terminal Insul., Red (+)	1				
28	4940-8	Started Solenoid Cable	1				
29	NS	Battery (12V/300 CCA/Wet/SP-35)	1				
30	6390-3	Battery Pan	1				
31	6923	Battery Cable (-)	1				
32	5932	Battery Terminal Insul., Black (-)	1				

\* Replacement sensor for the integrated seat sensor.

**NOTE:** Decals for this assembly are not shown here. Refer to **TRACTOR DECALS**, Page 2, for Decal listing and placement information.



# ELECTRICAL ASSEMBLY

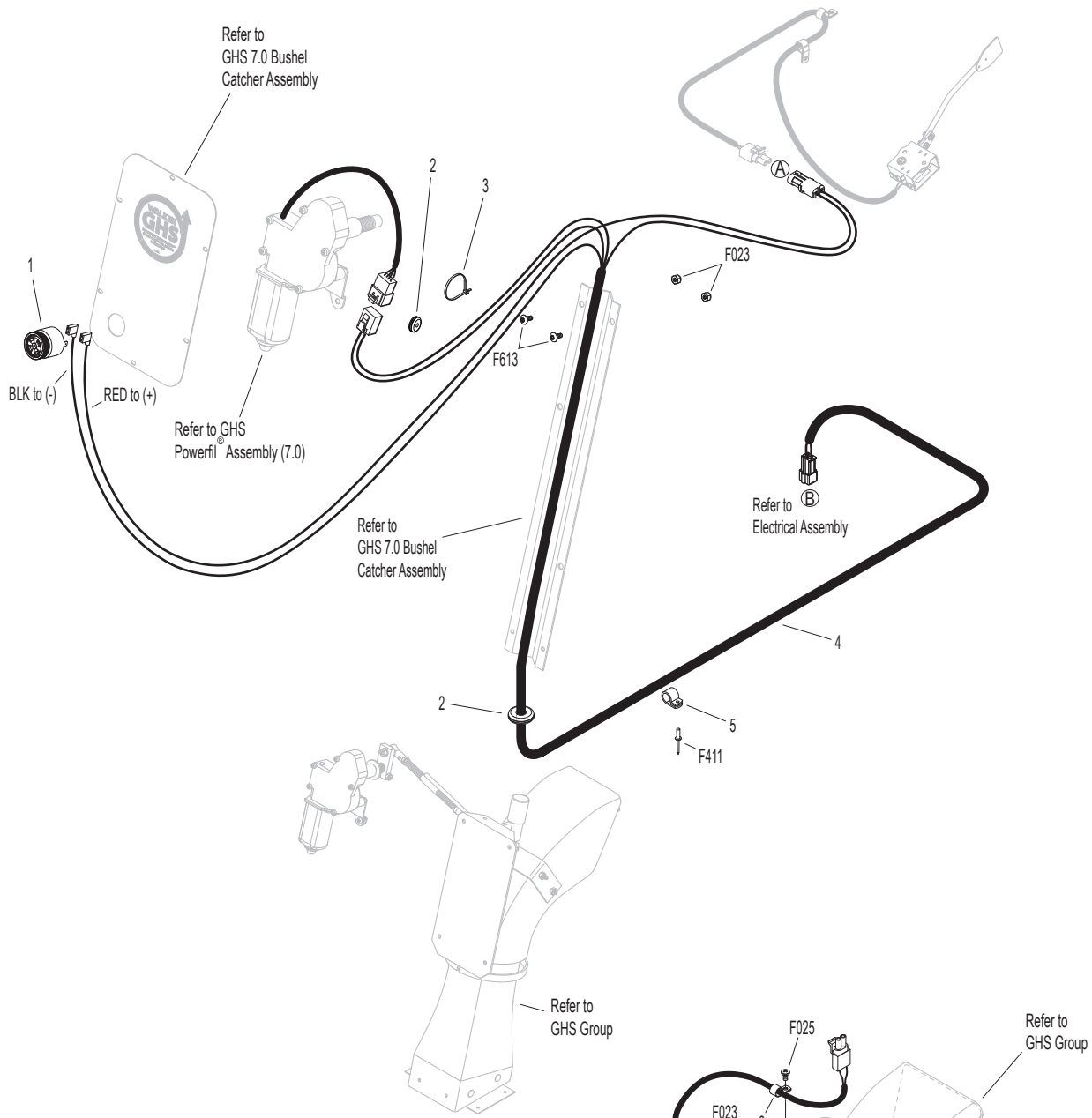


- |                        |                        |                        |                        |                        |                        |
|------------------------|------------------------|------------------------|------------------------|------------------------|------------------------|
| <p><b>DETAIL A</b></p> | <p><b>DETAIL B</b></p> | <p><b>DETAIL C</b></p> | <p><b>DETAIL D</b></p> | <p><b>DETAIL E</b></p> | <p><b>DETAIL F</b></p> |
| <p><b>DETAIL G</b></p> | <p><b>DETAIL H</b></p> | <p><b>DETAIL I</b></p> | <p><b>DETAIL J</b></p> | <p><b>DETAIL K</b></p> |                        |

# ELECTRICAL ASSEMBLIES (GHS 7.0 BUSHEL COMPONENTS)

ITEM NO.	PART NO.	DESCRIPTION	NO. REQ'D	ITEM NO.	PART NO.	DESCRIPTION	NO. REQ'D
<b>Horn &amp; Harness Channel Assemblies</b>				<b>Fasteners</b>			
1	5536-2	Horn, Full Signal	*	F002		10-24 Keps Nut	1
2	5976-2	Grommet (3/16 x 3/4)	2	F023		10-24 ESNA Nut	3
3	5975-1	Cable Tie (18# x 3-3/4")	1	F025		10-24 x 3/8 PPHMS	1
<b>Harness &amp; Grass-Pak® Switch Assemblies</b>				F411		3/16 Bulbex Rivet	1
4	8950-4	Powerfil Wire Harness (7.0/10.0)	1	F508		4-40 Keps Nut, SS	2
5	7834	Nylon Clamp (1/4)	1	F509		4-40 x 1/2 Hex Head, SS	2
6	5833	Cable Clamp (1/4)	2	F612		10-24 x 5/8 Truss Head Torx	1
7	5594-6	Aluminum Shaft & Vane Assembly	1	F613		10-24 x 1/2 Truss Head Torx	2
8	5592-20	Grass-Pak® Switch Assembly	1	* Service Part Only			

# ELECTRICAL ASSEMBLIES (GHS 7.0 BUSHEL COMPONENTS)



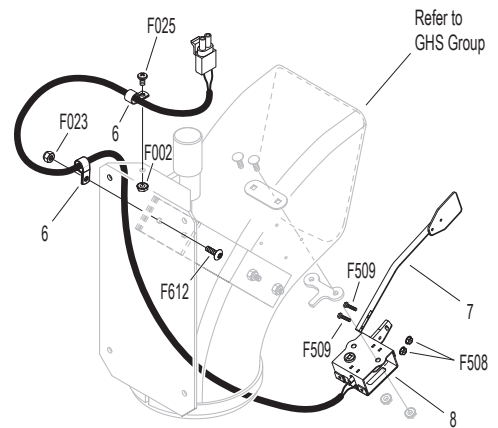
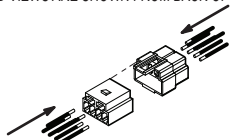
## DETAIL A



## DETAIL B



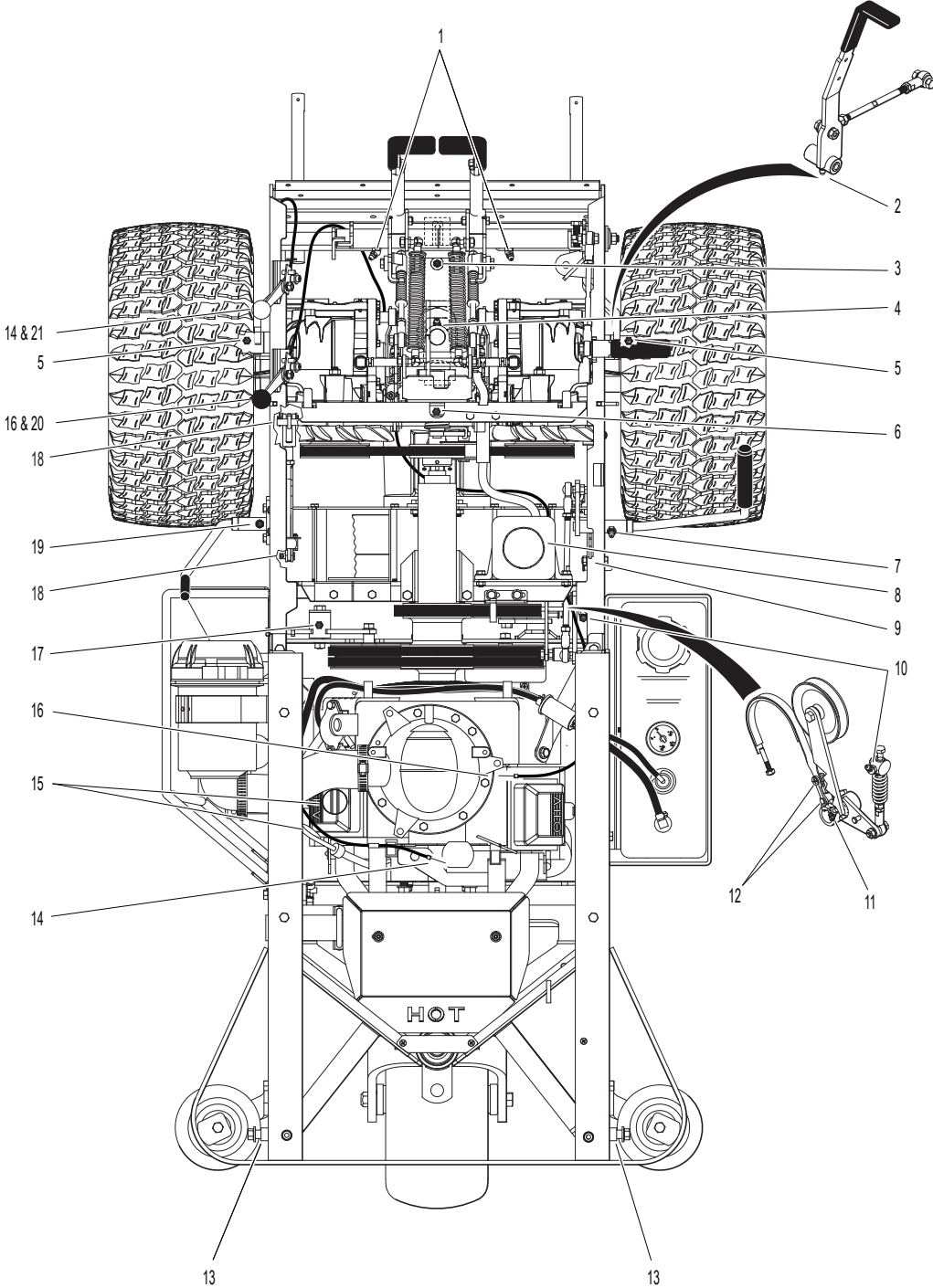
END VIEWS ARE SHOWN FROM BACK OF PLUG



# LUBRICATION POINTS

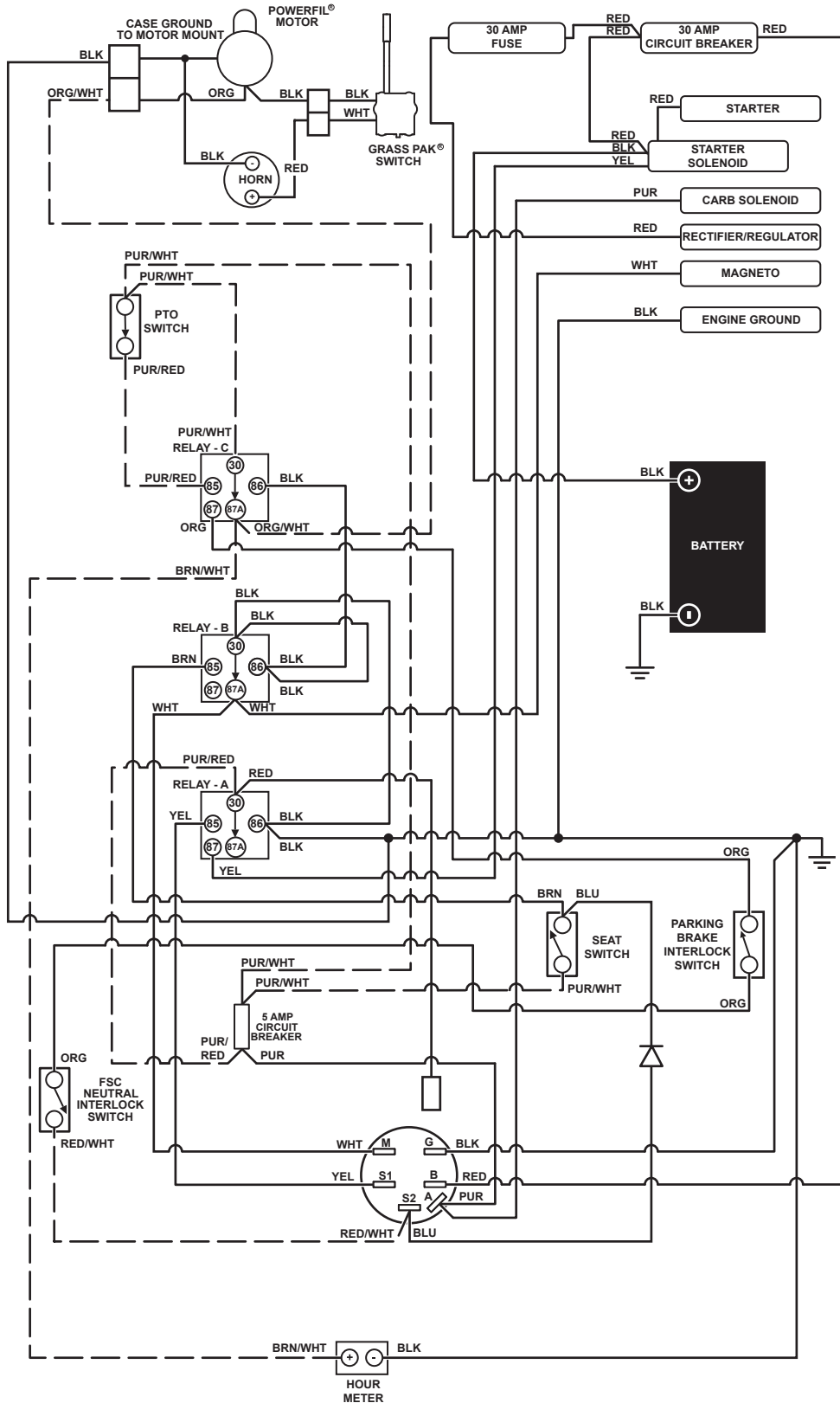
ITEM NO.	LOCATION	LUBRICATION TYPE	NO. PLACES	ITEM NO.	LOCATION	LUBRICATION TYPE	NO. PLACES
<b>Lubrication Points</b>				13	Catcher Hinge Point	Oil	2
1	Steering Lever Pivot	Grease	2	14	Throttle Control Cable Ends	Oil	2
2	FSC Lever Pivot	Grease	1	15	Engine Dipstick / Oil Fill	Oil**	1
3	Deck-to-PTO Coupling (Grease Spline Slide Area)	Grease	1	16	Choke Control Cable Ends	Oil	2
4	Universal Joint Tube Assembly	Grease*	1	17	Engine Idler Pivot	Grease	1
5	Deck Support Arm Pivot	Grease	2	18	Parking Brake Clevis	Oil	2
6	Hydro Idler Pivot	Grease	1	19	Parking Brake Lever Pivot	Grease	1
7	PTO Clutch Lever Pivot	Grease	1	20	Choke Control Pivot	Oil	1
8	Transaxle Oil Reservoir	Oil/20W-50	1	21	Throttle Control Pivot	Oil	1
9	Body Latch Pivot	Oil	1				
10	Clutch Actuator Push Rod (Grease Slide Area)	Grease	1	* Grease every 25 hours.			
11	PTO Belt Tightener Pivot	Grease	1	** Refer to S18 <b>Operator's Manual</b> for procedure for checking and changing oil in Engine Crankcase.			
12	Brake Band Pivot Pins (Clevis)	Oil	2	<b>NOTE:</b> See Model S18 <b>Operator's Manual</b> (5000-53) for proper lubrication intervals.			

# LUBRICATION POINTS



# WIRING SCHEMATIC

## WALKER MODEL S18 Beginning S/N 153873



IGNITION SWITCH CIRCUITS	
OFF	G + M
START	B + A / S1 + S2
RUN	B + A

S1 = START CIRCUIT  
 S2 = START/ACCESSORY CIRCUIT  
 M = MAGNETO GROUND CIRCUIT  
 B = BATTERY CIRCUIT  
 A = ACCESSORY CIRCUIT  
 G = GROUND CIRCUIT

RELAY - A START RELAY	
OFF	30 + 87A
START	30 + 87
RUN	30 + 87
PTO ON	30 + 87A

RELAY - B IGNITION RELAY	
OFF	30 + 87A
START	30 + 87
RUN	30 + 87
PTO ON	30 + 87A

RELAY - C PTO INTERLOCK RELAY	
OFF	30 + 87A
START	30 + 87
RUN	30 + 87
PTO ON	30 + 87

# LIMITED WARRANTY FOR WALKER MODEL S18 RIDER MOWER

## 1. WHAT THIS WARRANTY COVERS, AND FOR HOW LONG:

Walker Manufacturing company will, at its option, repair or replace, without charge, any part covered by this warranty which is found to be defective in material and/or workmanship within two (2) years\* after the date of sale to the original retail purchaser unless the product is used for rental purposes, in which case this warranty is limited to ninety (90) days. At Walker's request, customer will make the defective part available for inspection by Walker and/or return the defective part to Walker, transportation charges prepaid. All parts and components of the Walker Mower are covered by this warranty **except** the following components which are warranted separately by their respective manufacturers:

Briggs & Stratton Engine  
Battery

The available warranties covering these items are furnished with each mower. Walker does not assume any warranty obligation, liability or modification for these items, which are covered exclusively by the stated warranty of the respective manufacturers noted above.

\* A two (2) year or 2000 hour (whichever comes first) warranty is offered for Hydro-Gear ZT3100 hydrostatic transmissions; covers full cost of replacement up to 1000 hours of use, and after 1000 hours warranty coverage is prorated against 2000 hours.

## 2. WHAT THIS WARRANTY DOES NOT COVER:

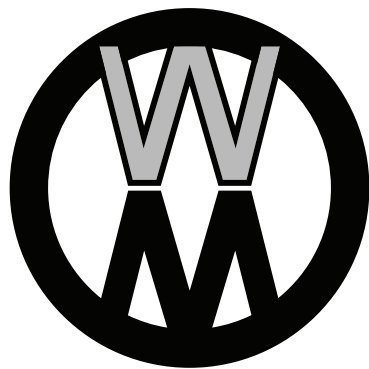
- A. This warranty does not cover defects caused by depreciation or damage caused by normal wear, accidents, improper maintenance, improper use or abuse of the product, alterations, or failure to follow the instructions contained in the Operator's Manual for operation and maintenance.
- B. The customer shall pay any charges for making service calls and/or for transporting the mower to and from the place where the inspection and/or warranty work is performed.

## 3. HOW TO OBTAIN SERVICE UNDER THIS WARRANTY:

Warranty service can be arranged by contacting the dealer where you purchased the mower or by contacting Walker Manufacturing Company, 5925 East Harmony Road, Ft. Collins, CO 80528. Proof of the date of purchase may be required to verify warranty coverage.

## 4. WARRANTY LIMITATION:

- A. **THERE IS NO OTHER EXPRESS WARRANTY. ANY WARRANTY THAT MAY BE IMPLIED FROM THIS PURCHASE INCLUDING MERCHANTABILITY AND FITNESS FOR A PARTICULAR PURPOSE IS HEREBY LIMITED TO THE DURATION OF THIS WARRANTY AND TO THE EXTENT PERMITTED BY LAW ANY AND ALL IMPLIED WARRANTIES ARE EXCLUDED.** Some states do not allow limitations on how long an implied warranty lasts, so the above limitations may not apply to you.
- B. **WALKER WILL NOT BE LIABLE FOR ANY INCIDENTAL, CONSEQUENTIAL, OR SPECIAL DAMAGES AND/OR EXPENSES IN CONNECTION WITH THE PURCHASE OR USE OF THE MOWER.** Some states do not allow the exclusion or limitation of incidental or consequential damages, so the above limitation(s) or exclusion(s) may not apply to you.
- C. Only the warranty expressed in this limited warranty shall apply and no dealer, distributor, or individual is authorized to amend, modify, or extend this warranty in any way. Accordingly, additional statements such as dealer advertising or presentations, whether oral or written, do not constitute warranties by Walker, and should not be relied upon.
- D. This warranty gives you specific legal rights, and you may also have other rights which vary from state to state.



**WALKER**

**WALKER MFG. CO. • 5925 E. HARMONY ROAD, FORT COLLINS, CO 80528 • (970) 221-5614**  
**FORM NO. 100721      PRINTED IN USA      [www.walker.com](http://www.walker.com)      ©2021 WALKER MFG. CO**