

WALKER

Illustrated Parts Manual

R22



Beginning S/N: 189149
P/N 1000-9

KEY TO ABBREVIATIONS USED IN THIS MANUAL

<i>Abbreviation</i>	<i>What it Represents</i>
° (Dimension)	Degrees (Angle)
" (Dimension)	inches
(-)	Negative (Polarity)
(+)	Positive (Polarity)
-1 (as deck style designation)	Standard (Aluminum) Gear Drive Deck
-2 (as deck style designation)	Heavy Duty (Cast Iron) Gear Drive Deck
-3 (as deck style designation)	Belt Drive Deck
AT	All-Terrain
CCW	Counter-clockwise
CW	Clockwise
D	Diameter
DC	Deck, Collection (number refers to size in inches)
DM	Deck, Mulching (number refers to size in inches)
DR	Deck, Rear Discharge (number refers to size in inches)
DS	Deck, Side Discharge (number refers to size in inches)
DU	Garlock (Bearing)
ESNA (Fastener)	Nylon Insert Locknut
FSC	Forward Speed Control
GA	Gauge
gal.	gallon
GHS	Grass Handling System
GR (Fastener)	Grade
HD	Heavy Duty
HP	Horse Power
ID	Identification or Inside Diameter
L	Length
LH	Left Hand (orientated with operator on seat)
LP	Low Profile
mm (Dimension)	millimeters
MS (Fastener)	Machine Screw
NS (as part number)	Item is not sold by Walker Manufacturing
OD	Outside Diameter
oz.	ounce
PFH (Fastener)	Phillips Flat Head
P/N	Part Number
PPH (Fastener)	Phillips Pan Head
PTH (Fastener)	Phillips Truss Head
PTO	Power Take-Off
QKS	Quick Slide
qt.	quart
RH	Right Hand (orientated with operator on seat)
SAE (Fastener)	Society of Automotive Engineers
SBH (Fastener)	Socket Button Head (Bolt)
SD	Side Discharge
SFH (Fastener)	Slotted Flat Head
SHC (Fastener)	Socket Head Cap
SHL (Fastener)	Shoulder (Bolt)
SM (Fastener)	Sheet Metal (Screw)
S/N	Serial Number
SQH (Fastener)	Square Head
SS (Fastener)	Stainless Steel
ST (Fastener)	Self-Tapping (Screw)
V	Volts

NOTE: In some instances, combinations of abbreviations may be used (e.g. PPHMS - Phillips Pan Head Machine Screw).

ILLUSTRATED PARTS LIST

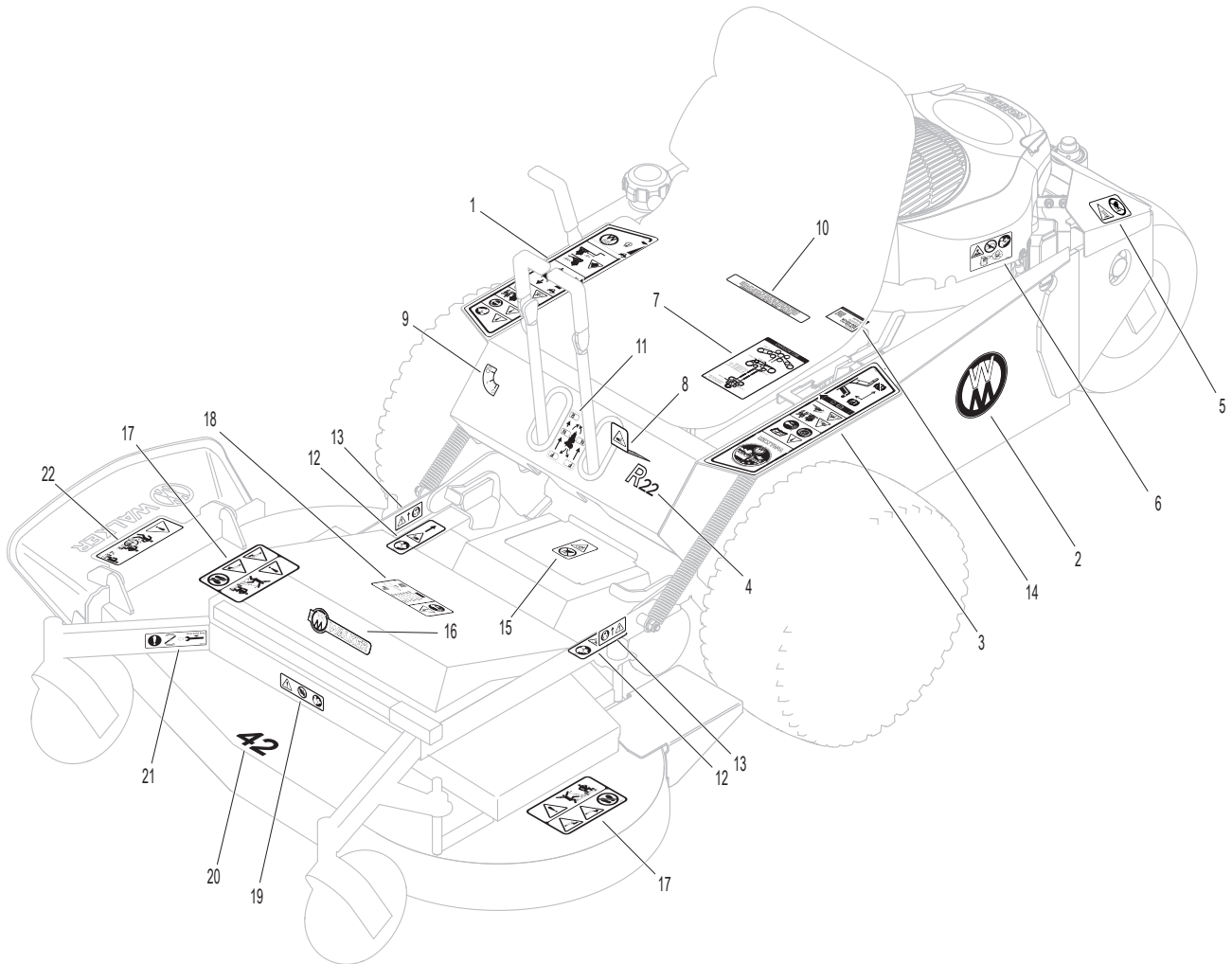
<i>Section of Tractor Covered</i>	<i>Page</i>	<i>Section of Tractor Covered</i>	<i>Page</i>
<hr/>		<hr/>	
Decals		Decks and Carrier Frames	
Tractor Decals	2	DS42-R Complete Carrier Frame Assembly	16
Body / Chassis Assemblies		DS42-R Deck Assembly.....	18
Body / Chassis Assembly	4	DM42-R Deck Assembly	20
Tractor Components		DS48-R Complete Carrier Frame Assembly	22
Main Component Power Transmission	6	DS48-R Deck Assembly.....	24
Engine Group.....	8	DM48-R Deck Assembly	26
Hydrostatic and Brake Assemblies.....	10	DS54-R Complete Carrier Frame Assembly	28
Steering Control Assemblies.....	12	DS54-R Deck Assembly.....	30
Electrical Components		Maintenance	
Electrical Assembly	14	Lubrication Points	32
		Wiring Schematic.....	34
		Maintenance And Service Record Sheet.....	35
		Warranty	
		Limited Warranty	37

TRACTOR DECALS

ITEM NO.	PART NO.	DESCRIPTION	LOCATION	NO. REQ'D
Walker Product and Operation Decals				
1	8600-52	RH Fender	Chassis, RH Side Near Seat	1
2	5800-9	Decal, Walker Round (4-3/4")	Chassis, LH Side	1
3	8600-53	LH Fender	Chassis, LH Side Near Seat	1
4	8821-34	Decal, R22	Chassis, Front	1
Danger Decals Warning Decals Caution Decals				
5	8600-5	Caution, Engine Exhaust	Muffler Guard	1
6	8600-12	Caution, Engine Exhaust	Engine, LH Side	1
7	1600-5	Decal, Belt Routing	Seat Pan, Underside	1
8	8600-66	Decal, Pinch Point	Tensioner Mount Assembly	1
Maintenance Decals				
9	8600-54	Decal, Ignition Switch	Chassis, Front	1
10	5855	Important, Engine Cooling	Engine	1
11	1600-2	Decal, Steering Lever	Chassis, Front	1
DM42-R, DM48-R, DS42-R, DS48-R & DS54-R Deck Decals				
12	8600-57	Caution, Pinch Point	Carrier Frame	2
13	1600-3	Danger, Tilt-Up	Carrier Frame	2
14	6895-103	Kohler 300 Hour Oil	Solenoid Guard	1
15	8600-55	Belt Danger	Drive Belt Guard	1
16	5809-2	Decal, Walker	Footrest, Front	1
17	8600-28	Danger, Rotating Blades	Deck Housing (one on each end)	2
18	1600-4	Deck Height Adjustment	Footrest	1
19	8600-14	Danger, Tilt-Up	Carrier Frame, Front	1
20	8821-15	Decal (42")	Deck Housing	1
	8821-16	Decal (48")	Deck Housing	1
	8821-32	Decal (54")	Deck Housing	1
21	8600-56	Blade Mounting Torque	Carrier Frame	1
22	5848-3	Danger, Side Discharge Shield	Side Discharge Shield	1

NOTE: All parts requiring decals are shipped with decals applied.

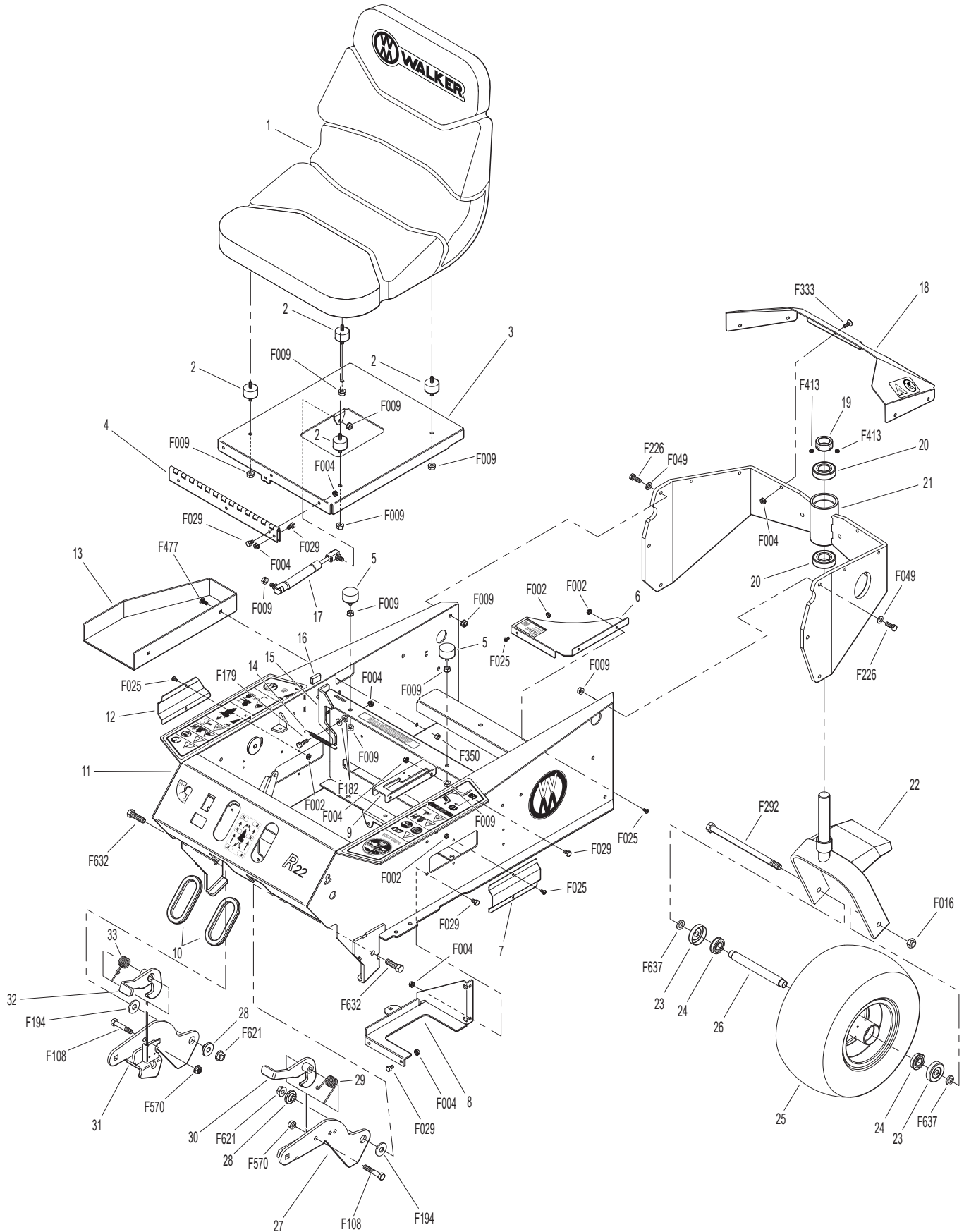
TRACTOR DECALS



BODY / CHASSIS ASSEMBLY

ITEM NO.	PART NO.	DESCRIPTION	NO. REQ'D	ITEM NO.	PART NO.	DESCRIPTION	NO. REQ'D
Seat Assembly				Deck Support Arm & Hitch Assemblies			
1	5103-3	Seat W/Switch	1	27	1431-1	Deck Support Arm, LH	1
2	7440-5	Shock Mount (1-1/4 x 3/4)	4	28	5840-3	Deck Arm Washer	2
3	5103-11	Seat Pan	1	29	7364-5	Torsion Spring, LH	1
4	4504-1	Hinge (13-1/2")	1	30	1431-3	Deck Arm Latch, LH	1
Body Assembly				31	1431-6	Deck Support Arm, RH	1
5	7845-1	Rubber Bumper (1.375 x .750)	2	32	1431-4	Deck Arm Latch, RH	1
6	1300-10	Solenoid Guard	1	33	7364-4	Torsion Spring, RH	1
7	1300-5	Hydro Fan Cover, LH	1	Fasteners			
8	1910-2	Battery Mount Plate	1	F002	10-24 Keps Nut		7
9	1406-1	Parking Brake Bracket	1	F004	1/4-20 Keps Nut		17
10	5180	Edge Molding, Lever Opening	2	F009	5/16-18 Whiz Locknut		16
11	1300-1	Chassis Frame	1	F016	1/2-13 Self-Locking Nut		1
12	1300-2	Hydro Fan Cover, RH	1	F025	10-24 x 3/8 PPHMS		7
13	1046	Gas Tank Mount	1	F029	1/4-20 x 1/2 Hex Bolt		10
14	7222	Extension Spring (1/4 x 3)	1	F049	5/16 SAE Washer		6
15	1383-1	Seat Latch	1	F108	3/8-16 x 2 Hex Bolt		2
16	5847	Plastic Tip	1	F179	1/4-20 x 1 Hex Bolt		1
17	5145-4	Gas Spring Assembly	1	F182	1/4 x 5/8 x 1/8 Washer		2
Rear Chassis Assembly				F194	7/16 x 1-1/4 x 1/8 Washer		2
18	1013-4	Muffler Guard	1	F226	5/16-18 x 7/8 Hex Bolt		6
19	5267-1	Retainer Collar (1") (Includes Item # F413)	1	F292	1/2-13 x 8-1/2 Hex Bolt, Grade 5		1
20	5270-1	Ball Bearing	2	F333	1/4-20 x 3/4 PTHMS		6
21	1300-45	Rear Chassis	1	F350	1/4-20 LP Nylock		2
22	5420-3	Tail Wheel Fork	1	F413	5/16-24 x 5/16 Set Screw		2
23	8769-12	Bearing Cup (1/2 ID)	2	F477	1/4-20 x 5/8 Carriage Bolt		2
24	5037-1	Bearing, Tail Wheel	2	F570	3/8-16 Flange Top Lock Nut		2
25	5035	Tail Wheel & Tire Assembly (13 x 6.50-6)	1	F621	7/16-20 Flange Top Lock Nut		2
	5035-1	Tail Wheel Tire (13 x 6.50-6)	*	F632	7/16-20 x 1-1/2 Hex Bolt		2
	5036	Tail Wheel & Hub (6 x 4.5)	*	F637	Washer .835 x .505 x .125		2
26	5038-1	Axle Spacer Tube (6-5/8)	1	* Service Part Only			

BODY / CHASSIS ASSEMBLY

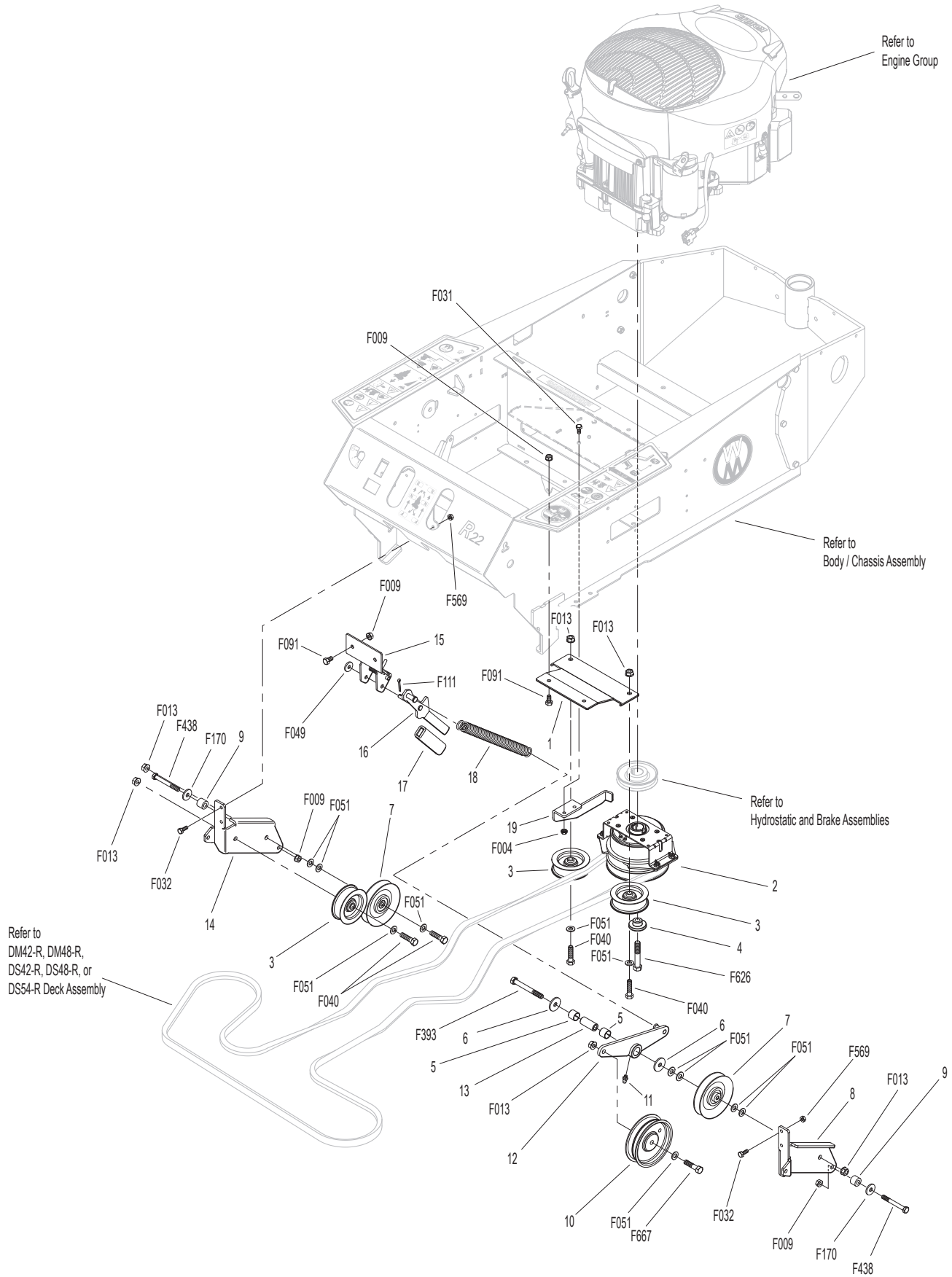


Model R22 Beginning S/N 189149
 Use only genuine Walker® replacement parts.

MAIN COMPONENT POWER TRANSMISSION

ITEM NO.	PART NO.	DESCRIPTION	NO. REQ'D	ITEM NO.	PART NO.	DESCRIPTION	NO. REQ'D
PTO Drive Assembly				Fasteners			
1	1300-15	Idler Mount Plate	1	F004		1/4-20 Keps Nut	2
2	1410	Clutch	1	F009		5/16-18 Whiz Locknut	6
3	5245-2	Idler Pulley (2-3/4)	3	F013		3/8-16 Whiz Locknut	6
4	1410-2	Clutch Step Washer	1	F031		1/4-20 x 5/8 Hex Bolt	2
5	7201-3	Fiberglide Bearing	2	F032		1/4-20 x 3/4 Hex Bolt	4
6	5841	Retainer Washer (3/8 x 1-1/4)	2	F040		3/8-16 x 1-1/2 Hex Bolt	2
7	5247-2	V-Groove Idler (4")	2	F049		5/16 SAE Washer	1
8	1300-21	Twin Idler Mount, LH	1	F051		3/8 SAE Washer	10
9	1010-3	Spacer (.750 x .375 x .5625)	2	F091		5/16-18 x 5/8 Hex Bolt	4
10	7245-2	Idler Pulley	1	F111		1/8 x 3/4 Cotter Pin	1
11	5830	Grease Fitting	1	F170		5/16 x 1 x 7/64 Flat Washer (Zinc Plate)	2
12	1300-13	Tensioner Arm Assembly (Includes Items # 5 & 11)	1	F393		3/8-16 x 3-1/4 Hex Bolt	1
13	7201-4	Inner Race (1-1/2)	1	F438		5/16-18 x 2-3/4 Hex Bolt	2
14	1300-20	Twin Idler Mount, RH	1	F569		1/4-20 Flange Top Lock Nut	4
15	1300-17	Tensioner Mount Assembly	1	F626		7/16-20 x 2-1/2 Hex Bolt Grade 8	1
16	1300-12	Tensioner Lever	1	F667		3/8-16 x 1-5/8 Hex Bolt	1
17	5850-2	Handle Grip, Foam (5-1/2)	1				
18	5221-4	Extension Spring (1 x 8)	1				
19	1410-1	Clutch Stop	1				

MAIN COMPONENT POWER TRANSMISSION

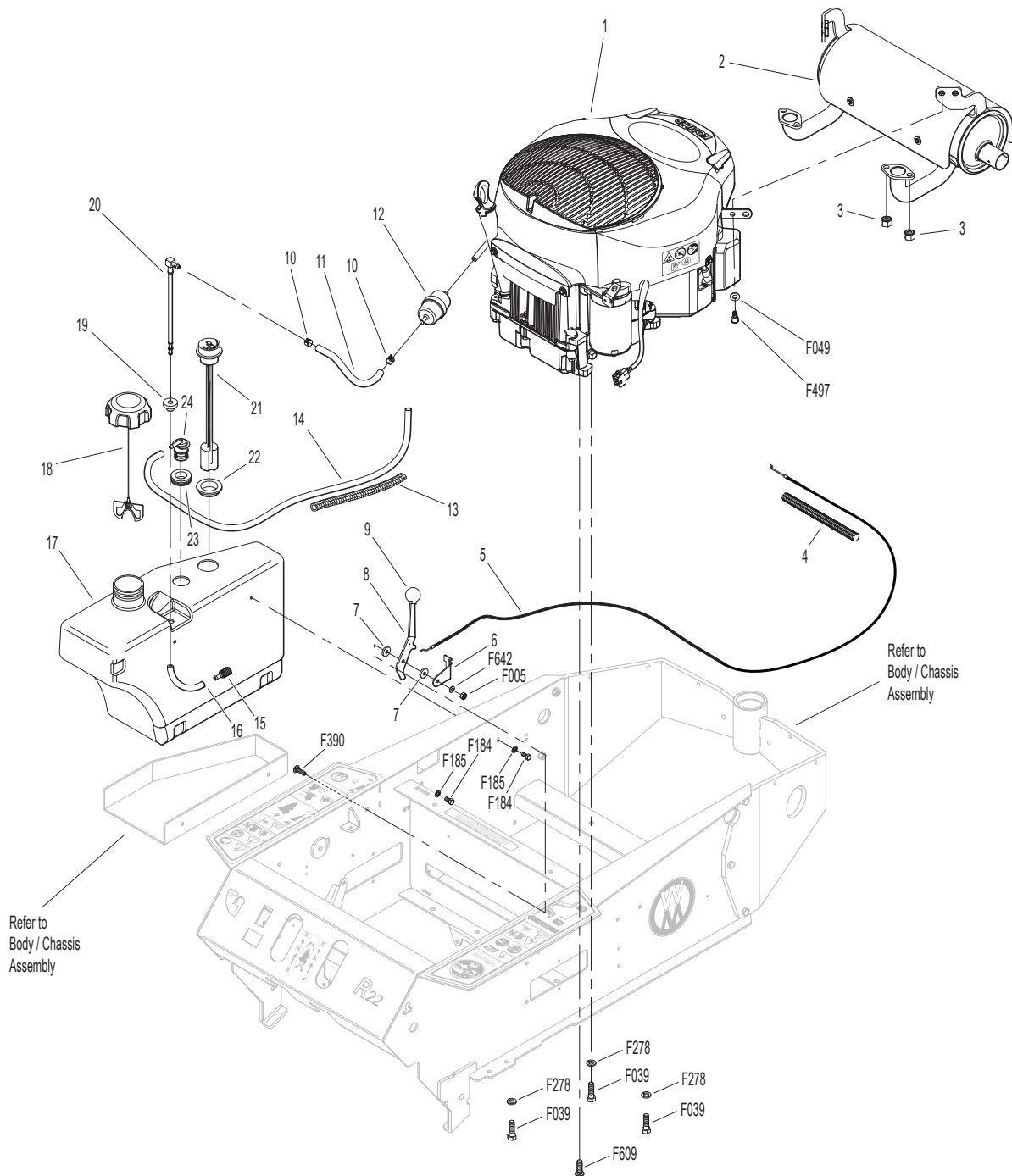


Model R22 Beginning S/N 189149
 Use only genuine **Walker**® replacement parts.

ENGINE GROUP

ITEM NO.	PART NO.	DESCRIPTION	NO. REQ'D	ITEM NO.	PART NO.	DESCRIPTION	NO. REQ'D
Engine Assembly				Fasteners			
1	NS	22 HP Engine (Kohler)	1	F005		1/4-20 ESNA Nut	1
2	1013-6	Muffler	1	F039		3/8-16 x 1-1/4 Hex Bolt	3
3	NS	Nut (Kohler)	4	F049		5/16 SAE Washer	4
Throttle Assembly				F184		1/4-20 x 1/2 Hex Bolt, SS	2
4	M265	Insultherm (3/8 x 10)	1	F185		1/4 Internal Star Lock Washer, SS	2
5	1108-1	Throttle Cable (45")	1	F278		3/8 Split Lock Washer	3
6	5108-21	Control Bracket	1	F390		1/4-20 x 7/8 Carriage Bolt	1
7	5108-10	Friction Washer (.125)	2	F497		M8 x 20 Hex Bolt	4
8	5108-20	Control Lever, Throttle	1	F609		3/8-16 x 1-1/4 Button Head Cap Screw	1
9	5108-5	Throttle Control Knob, Red	1	F642		1/4 x .042 Belleville Washer	1
Fuel Tank Assembly				* Required hose specifications:			
10	5879-3	Hose Clamp (1/2)	2	M113 - 3/16" ID fuel/oil/vapor hose (Gates 4219-0093 or equivalent)			
11	M246	Fuel Line (1/4 x 6")	1*	M246 - 1/4" ID low permeation (<15g/m ² /day) fuel hose (Parker 38904 or equivalent)			
12	5020-3	Fuel Filter	1				
13	M265	Insultherm (3/8 x 12)	1				
14	M113	Fuel Line (3/16 x 31")	1*				
15	5020-2	Fuel Filter, In Tank	1				
16	5086-7	Hose (1/4 x 6)	1				
17	6045-10	Fuel Tank, 3.0 Gallon (Includes Items # 15, 16 & 20-24)	1				
18	5082-4	2-1/4 Ratchet Fuel Cap (EPA)	1				
19	5083-1	Bushing, Rubber	1				
20	5083-7	Tank Tube (8-1/2")	1				
21	6045-1	Fuel Tank Gauge	1				
22	6045-2	Fuel Tank Gauge Grommet	1				
23	5977-7	Roll Over Grommet (.900 x 1-1/2)	1				
24	8043-8	Roll Over Valve	1				

ENGINE GROUP



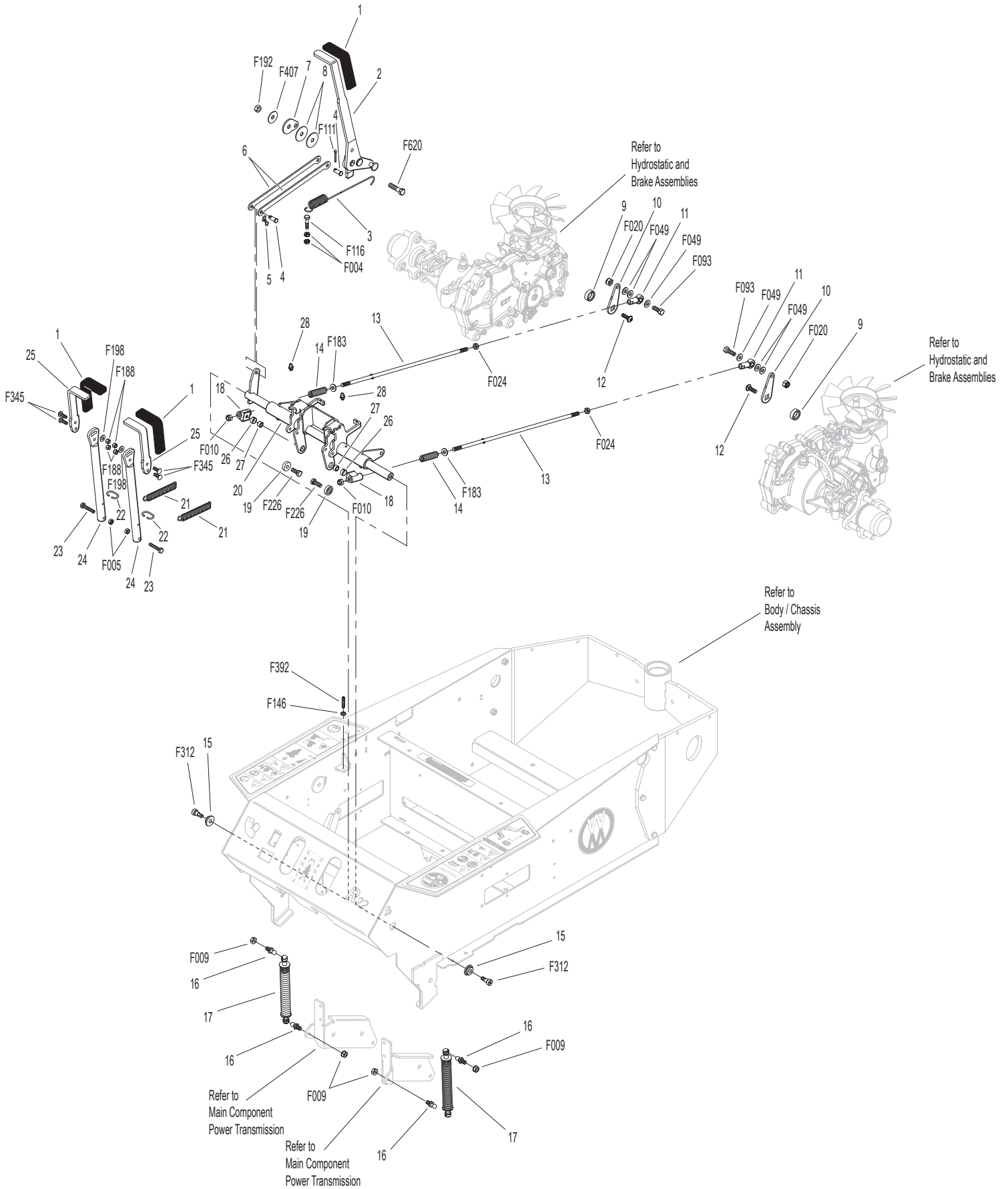
HYDROSTATIC AND BRAKE ASSEMBLIES

ITEM NO.	PART NO.	DESCRIPTION	NO. REQ'D	ITEM NO.	PART NO.	DESCRIPTION	NO. REQ'D
Ground Drive Assemblies				Wheel Assembly			
1	5103-2	Pivot Bushing (5/16 ID)	3	20	5075-3	LP Wheel & Tire Assembly (18 x 8.50-10)	2
2	1250	Drive Belt	1		5075-2	LP Tire (18 x 8.50-10)	*
3	6240-24	Engine Pulley (3-1/2/A)	1		5075-5	LP Wheel (10 x 7)	*
4	5025-24	Hydro-Gear EZT-2200, LH	1	Fasteners			
5	2028-5	Lockout Arm, LH	1	F005	1/4-20 ESNA Nut		1
6	4407-4	Bow Tie Cotter Pin	3	F009	5/16-18 Whiz Locknut		7
7	5026-24	Hydro-Gear EZT-2200, RH	1	F013	3/8-16 Whiz Locknut		5
8	2028-6	Lockout Arm, RH	1	F015	1/2-20 Wheel Lug Nut		8
9	5221	Extension Spring (3/4 x 4)	1	F040	3/8-16 x 1-1/2 Hex Bolt		1
10	1300-6	Ground Drive Idler Arm	1	F042	3/8-16 x 2-1/4 Hex Bolt		4
11	5245	Idler Pulley (3")	1	F049	5/16 SAE Washer		7
Parking Brake Assembly				F051	3/8 SAE Washer		1
12	1406	Parking Brake Arm	1	F066	1/4 x 1/4 x 3/4 Key		1
13	5850-2	Handle Grip, Foam (5-1/2)	1	F072	1/4 "E" Retainer Ring		2
14	7410-1	Brake Control Cable, RH (36.5")	1	F182	1/4 x 5/8 x 1/8 Washer		2
15	7523-3	Clevis Pin W/Hole (1/4 x 1/2)	1	F235	5/16-18 x 2-1/2 Hex Bolt		4
16	1406-2	Parking Brake Clevis	2	F275	5/16-18 x 2 Hex Bolt		1
17	7222	Extension Spring (1/4 x 3)	1	F383	1/4-20 x 2 Shear Bolt, Grade 2		1
18	7409-1	Brake Control Cable, LH (31")	1	F623	5/16-18 x 3-3/4 Hex Bolt		1
19	1406-3	Parking Brake Knuckle	1	F627	1/4-28 Nylock Jam Nut		2
				* Service Part Only			

STEERING CONTROL ASSEMBLIES

ITEM NO.	PART NO.	DESCRIPTION	NO. REQ'D	ITEM NO.	PART NO.	DESCRIPTION	NO. REQ'D
Forward Speed Control Assemblies				Fasteners			
1	5850-2	Handle Grip, Foam (5-1/2)	3	F004		1/4-20 Keps Nut	2
2	1170-27	FSC Lever Weldment	1	F005		1/4-20 ESNA Nut	2
3	4219-1	Extension Spring	1	F009		5/16-18 Whiz Locknut	4
4	8655-4	Clevis Pin (5/16 x 3/4)	2	F010		5/16-24 ESNA Nut	2
5	4407-4	Bow Tie Cotter Pin	1	F020		5/16-18 ESNA Nut	2
6	1170-1	FSC Link	2	F024		5/16-24 Jam Nut	2
7	4142-1	FSC Cam	1	F049		5/16 SAE Washer	6
8	5141	FSC Friction Washer (1-1/2 x 3/8 x 1/16)	2	F093		5/16-18 x 1 Hex Bolt	2
Steering Lever Assemblies				F111		1/8 x 3/4 Cotter Pin	1
9	2212-3	Seal Retainer	2	F116		1/4-20 x 1-1/4 Hex Bolt	1
10	1212-4	Transmission Control Arm	2	F146		1/4-20 Jam Nut	1
11	5214-4	Ball Joint (5/16-24) W/O Stud	2	F183		.312 x .700 x .074 Washer	2
12	2025-10	TWHCS 5/16-24 x 1.0 (Patch)	2	F188		1/4-20 Self-Locking Nut	4
13	5213-5	Control Rod (17")	2	F192		3/8-24 Self-Locking Nut	1
14	5665-1	Compression Spring (2-1/2)	2	F198		.250 x .625 x .040 Washer, SS	2
15	9704-3	Pivot Rod Bushing, Plastic	2	F226		5/16-18 x 7/8 Hex Bolt	2
16	5146	10mm Ball Stud	4	F312		3/8 x 3/8 Shoulder Bolt	2
17	4199-3	Steering Lever Dampener Assembly	2	F345		1/4-20 x .770 Knurled Bolt	4
18	5463-4	Steering Lever Actuator	2	F392		1/4-20 x 1 Set Screw, SS Cup Point	1
19	5463-6	Washer 5/16 x 3/4 x .250	2	F407		Belleville Washer 3/8 x 1.187, SS	1
20	1451-40	Steering Assembly	1	F620		3/8-24 x 1-1/2 Hex Bolt	1
21	5222	Extension Spring (1/2 x 3-1/4)	2				
22	5450	D-Clip	2				
23	4452-6	Steering Pivot (1/4-20 x 1-5/8)	2				
24	1452	Steering Lever Tube W/Tab	2				
25	5453-14	Steering Lever Handle, Adjustable (Includes Items # 1, F188, F198 & F345)	2				
26	7201-2	Fiberglide Bearing 1/2"	2				
27	5463-5	Steering Arm Pivot Bushing (SS)	2				
28	5830	Grease Fitting	2				

STEERING CONTROL ASSEMBLIES

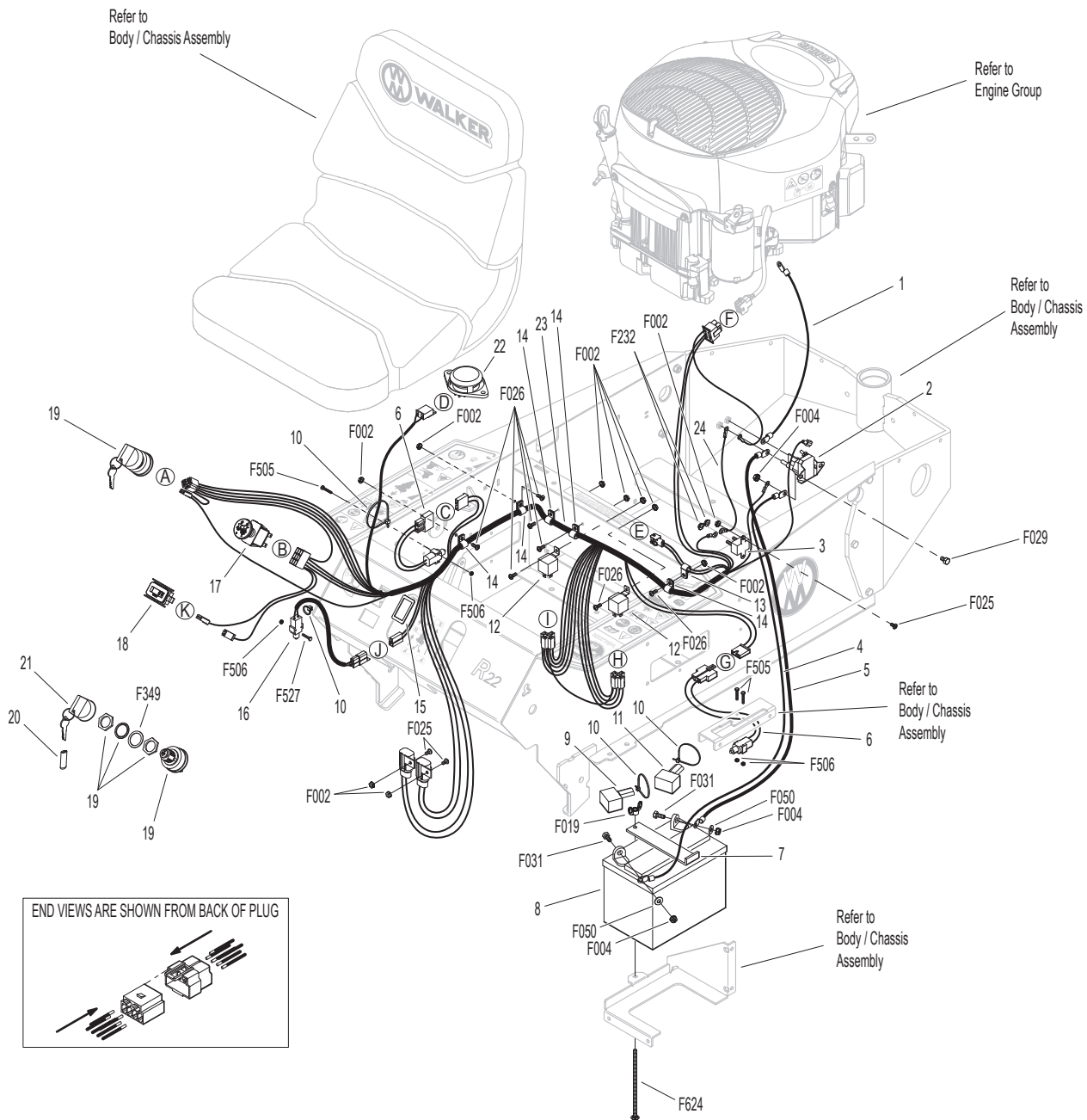


Model R22 Beginning S/N 189149
 Use only genuine **Walker®** replacement parts.

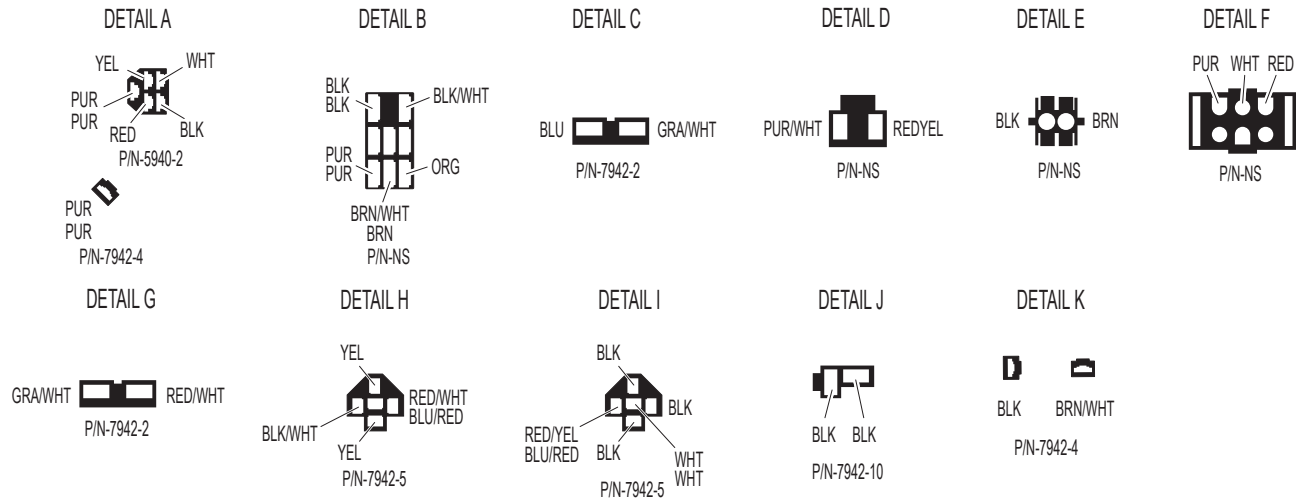
ELECTRICAL ASSEMBLY

ITEM NO.	PART NO.	DESCRIPTION	NO. REQ'D	ITEM NO.	PART NO.	DESCRIPTION	NO. REQ'D
Electrical Assembly				Fasteners			
1	6940-18	Jumper Wire	1	F002		10-24 Keps Nut	11
2	5929	Starter Solenoid	1	F004		1/4-20 Keps Nut	4
3	8941	Circuit Breaker (30 Amp) Auto Reset/Sealed	1	F019		1/4-20 ESNA Wing Nut	1
4	6940-21	Ground Wire	1	F025		10-24 x 3/8 PPHMS	4
5	6940-19	Jumper Wire	1	F026		10-24 x 1/2 PPHMS	7
6	5942-8	Safety Switch (NO), Delta Side Mount	2	F029		1/4-20 x 1/2 Hex Bolt	2
7	1910-1	Battery Hold Down	1	F031		1/4-20 x 5/8 Hex Bolt	2
8	NS	Battery (12V/300 CCA/Dry/SP-35)	1	F050		1/4 SAE Washer	2
9	5932	Battery Terminal Insulation Black (-)	1	F232		10-32 Keps Nut	2
10	5975-1	Cable Tie (18# x 3-3/4")	4	F349		Washer .835 ID 1.122 OD, SS	1
11	5933	Battery Terminal Insulation Red (+)	1	F505		6-32 x 7/8 Hex Trim MS, SS	4
12	6941-9	Relay Switch 30/40 Amp	2	F506		6-32 Nylock Nut	6
13	5832	Cable Clamp (1/2) .203 Hole	1	F527		6-32 x 3/4 Hex Trim MS, SS	2
14	6833	Cable Clamp (9/16 x #10)	5	F624		1/4-20 x 6 Carriage Bolt	1
15	4950-11	PTO Switch Spacer	1	* Replacement sensor for the integrated seat sensor.			
16	5942-20	Safety Switch (NO)	1				
17	4950	PTO Switch	1				
18	8990-1	Hourmeter (Global)	1				
19	8960-15	Ignition Switch W/Keys (Includes Items # 20, 21 & F349)	1				
20	7854	Plastic Tip, Red	1				
21	8960-3	Key Set W/Umbrella	1				
22	5103-12	Seat Switch	1*				
23	1940	Wire Harness	1				
24	4940-11	Jumper Wire	1				

ELECTRICAL ASSEMBLY



END VIEWS ARE SHOWN FROM BACK OF PLUG

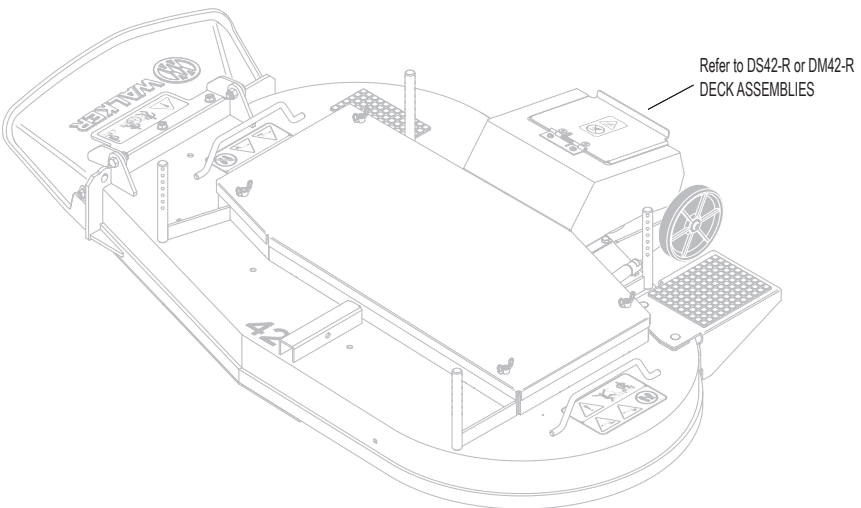
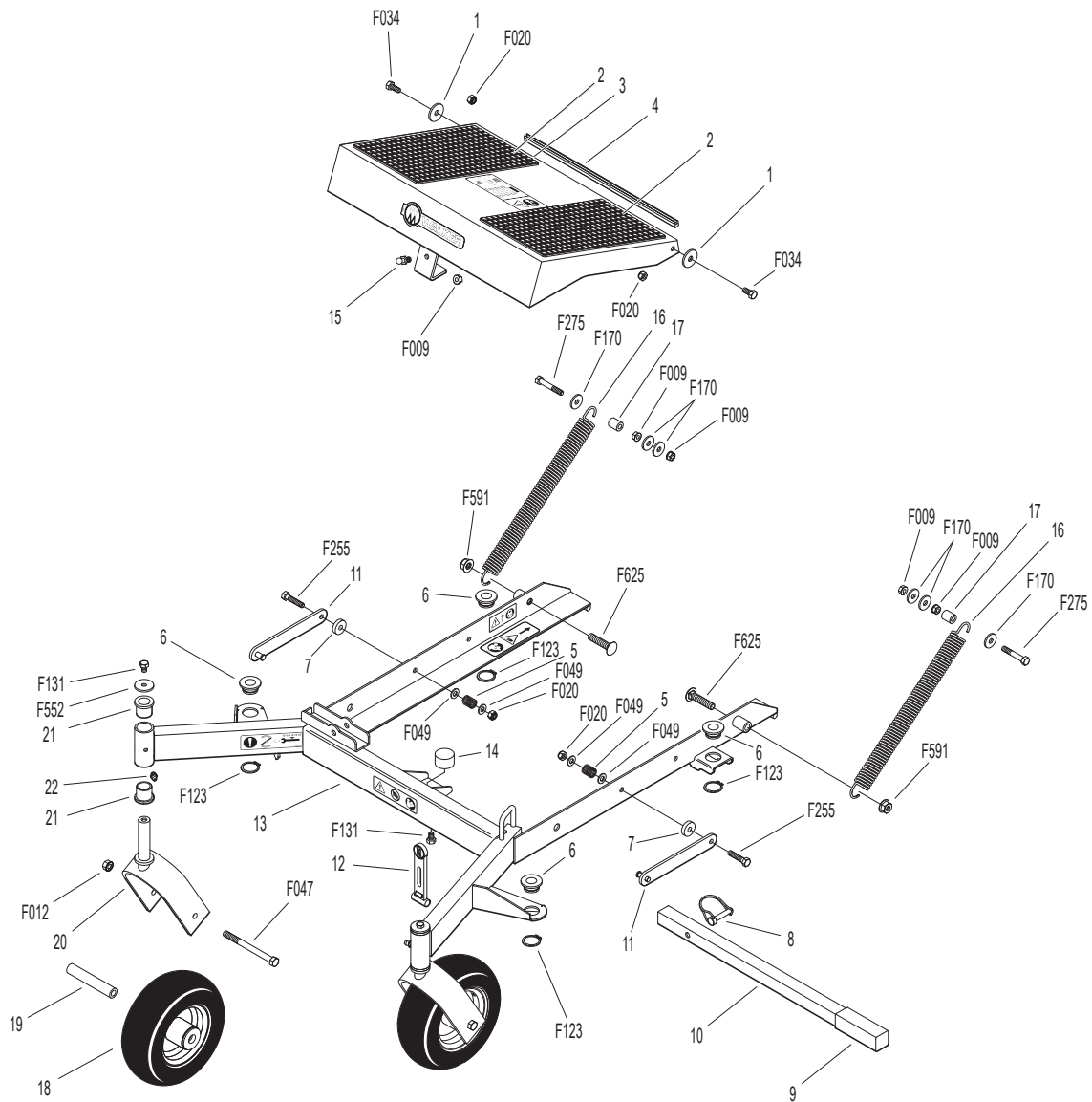


Model R22 Beginning S/N 189149
 Use only genuine **Walker**® replacement parts.

DS42-R COMPLETE CARRIER FRAME ASSEMBLY

ITEM NO.	PART NO.	DESCRIPTION	NO. REQ'D	ITEM NO.	PART NO.	DESCRIPTION	NO. REQ'D
Carrier Frame Components				Fasteners			
1	7846	Washer (3/8 x 1-1/4 x 1/8)	2	F009		5/16-18 Whiz Locknut	5
2	8786-9	Rubber Mat (6 x 12)	2	F012		3/8-16 Keps Nut	2
3	1662	Footrest (Includes Items # 2 & 4)	1	F020		5/16-18 ESNA Nut	4
4	M112	Edge Molding (13-7/8")	1	F034		5/16-18 x 3/4 Hex Bolt	2
5	5682	Compression Spring (9/16 x 3/4)	2	F047		3/8-16 x 4-1/2 Hex Bolt	2
6	5740-4	Deck Pin Bushing	4	F049		5/16 SAE Washer	4
7	1661-3	Tilt Up Link Spacer	2	F123		1" External Snap Ring	4
8	7775-5	Lock Pin (5/16 x 1-5/8)	1	F131		5/16-18 x 1/2 Hex Bolt	3
9	5850-5	Handle Grip (1 x 1 x 3-3/4)	1	F170		5/16 x 1 x 7/64 Flat Washer (Zinc Plate)	6
10	6811-3	Tilt Bar With Grip (20") (Includes Item # 9)	1	F255		5/16-18 x 1-1/2 Hex Bolt	2
11	1661-2	Tilt Up Link	2	F275		5/16-18 x 2 Hex Bolt	2
12	1662-1	Tie Down Strap	1	F552		Washer 1.250 x .314 x .125	2
13	1660-1	DS42-R Carrier Frame (Includes Items # 21 & 22)	1	F591		7/16-14 Flange Top Lock Nut	2
14	8845-1	Rubber Bumper (1-1/4 x 3/4)	1	F625		7/16-14 x 2 Carriage Bolt	2
15	5146	10mm Ball Stud	1				
Spring and Pivot Mount Components							
16	5743-15	Extension Spring (1 x 9)	2				
17	5743-16	Spacer (5/16 x 1-1/2)	2				
Caster Wheel Components							
18	5715-20	Caster Wheel, Hollowmatic (8 x 3.00-4)	2				
19	5714-3	Axle Spacer Tube	2				
20	1770	Caster Wheel Fork	2				
21	5683-2	Pivot Bearing (.750 x 1.0)	4				
22	5830	Grease Fitting	2				

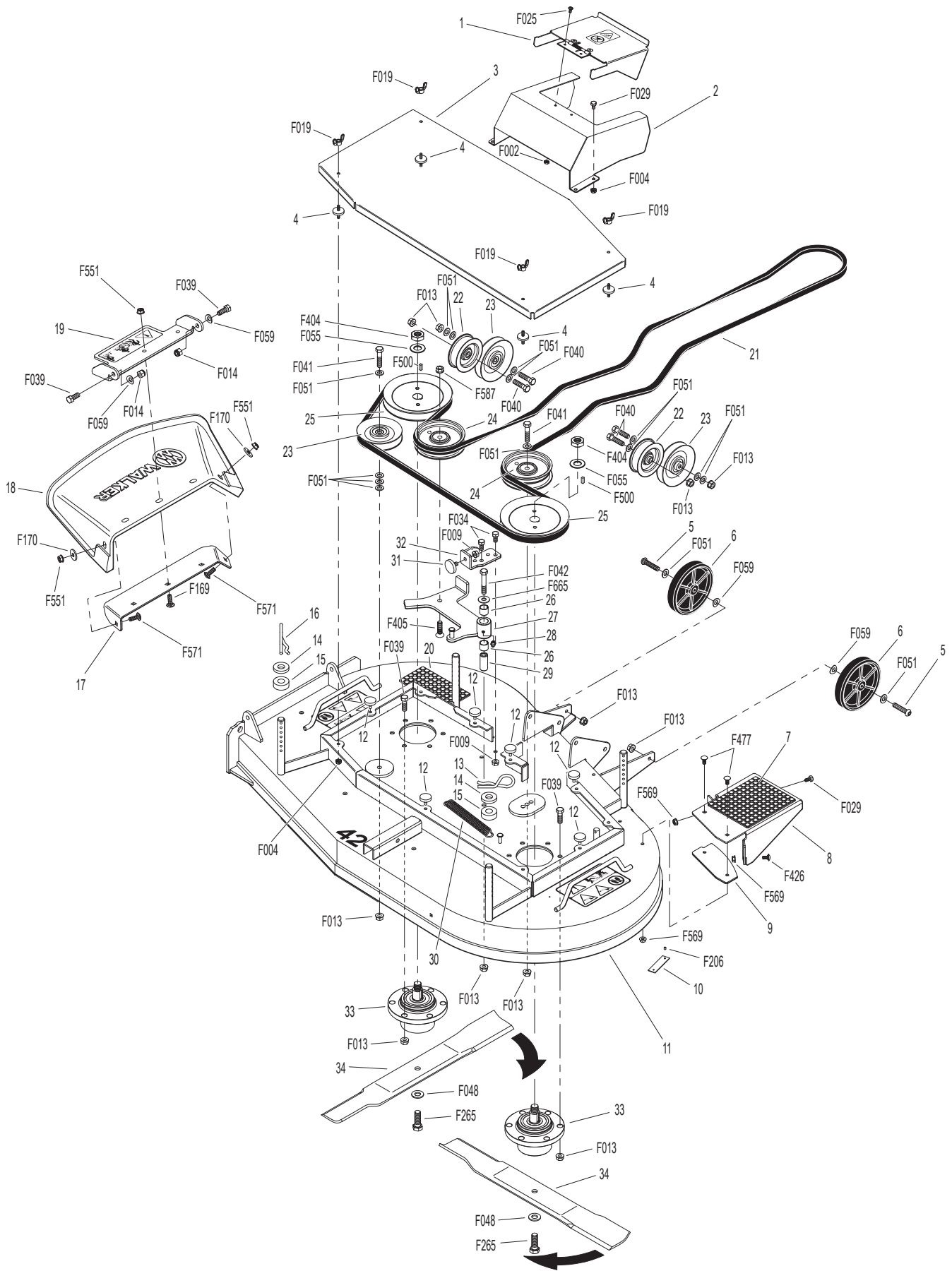
DS42-R COMPLETE CARRIER FRAME ASSEMBLY



DS42-R DECK ASSEMBLY

ITEM NO.	PART NO.	DESCRIPTION	NO. REQ'D	ITEM NO.	PART NO.	DESCRIPTION	NO. REQ'D
Deck Housing Components				Fasteners			
1	1620-2	Belt Drive Cover	1	F002		10-24 Keps Nut	2
2	1619-1	Drive Belt Guard	1	F004		1/4-20 Keps Nut	8
3	1703-1	Deck Belt Cover	1	F009		5/16-18 Whiz Locknut	3
4	7307-1	Shock Mount (1.0 x .25) Double Stud	4	F013		3/8-16 Whiz Locknut	21
5	8490	Roller Wheel Axle Bolt	2	F014		3/8-16 ESNA Nut	2
6	5162-12	Roller Wheel (5" Poly) (Includes Items # 5, F013 & F059)	2	F019		1/4-20 ESNA Wing Nut	4
7	8735-10	Rubber Mat (5 x 6)	1	F025		10-24 x 3/8 PPHMS	2
8	1703-13	Deck Step, DS42-R (Includes Item # 7)	1	F029		1/4-20 x 1/2 Hex Bolt	5
9	1703-12	Spacer Plate	1	F034		5/16-18 x 3/4 Hex Bolt	2
10	NS	Deck Serial Number Plate	1	F039		3/8-16 x 1-1/4 Hex Bolt	14
11	1703-4	DS42-R Deck Housing (Includes Item # 20)	1	F040		3/8-16 x 1-1/2 Hex Bolt	4
12	7307-9	Pull Through Bumper	6	F041		3/8-16 x 1-3/4 Hex Bolt	2
13	7775-2	Hitch Pin, LH (Gold) #6	2	F042		3/8-16 x 2-1/4 Hex Bolt	1
14	5727-1	Washer Shim (5/8 ID)	4	F048		1/2 SAE Washer	2
15	7434-1	Washer 1-3/8 x 5/8-1/2 Thick	4	F051		3/8 SAE Washer	15
16	7775-1	Hitch Pin, RH (Silver) #6	2	F055		5/8 SAE Washer	2
17	1709-5	Backup Plate	1	F059		3/8 Wave Spring Washer	4
18	1709-3	Rubber Shield	1	F169		5/16-18 x 1 Carriage Bolt	3
19	1709-6	Discharge Shield Frame	1	F170		5/16 x 1 x 7/64 Flat Washer (Zinc Plate)	2
20	5747-10	Rubber Mat, No-Hole (3 x 6)	1	F206		#2 x 3/16 Drive Pin	2
				F265		1/2-20 x 1-1/2 Hex Bolt	2
				F404		5/8-18 Jam Nut	2
				F405		3/8-16 x 1-1/2 FHA Screw, SS	1
				F426		1/4-20 x 1/2 Carriage Bolt	1
				F477		1/4-20 x 5/8 Carriage Bolt	2
				F500		3/16 x 3/16 x 9/16 Key	2
				F551		5/16-18 Flange Top Lock Nut	5
				F569		1/4-20 Flange Top Lock Nut	4
				F571		5/16-18 x 7/8 Carriage Bolt	2
				F587		3/8-16 Top Lock Flange Nut Grade G	1
				F665		Washer 1.0 x .406 x .062	1
Blade Drive Components							
21	1731-1	Blade Drive Belt, MR 42	1				
22	5245-2	Idler Pulley (2-3/4)	2				
23	5247-2	V-Groove Idler (4")	3				
24	7245-2	Idler Pulley	2				
25	6240-25	Spindle Pulley (6")	2				
26	7201-3	Fiberglide Bearing	2				
27	1703-9	Idler Arm (Includes Items # 26 & 28)	1				
28	5830	Grease Fitting	1				
29	7201-4	Inner Race (1-1/2)	1				
30	5221-1	Extension Spring (3/4 x 5)	1				
31	7844	Rubber Bumper (1.25 x .250)	1				
32	1701-16	Idler Stop	1				
Blade Spindle Components							
33	8052-5	Blade Spindle	2				
34	7705-31	LH/RH Blade, 21-3/8" (RH Rotation)	2				

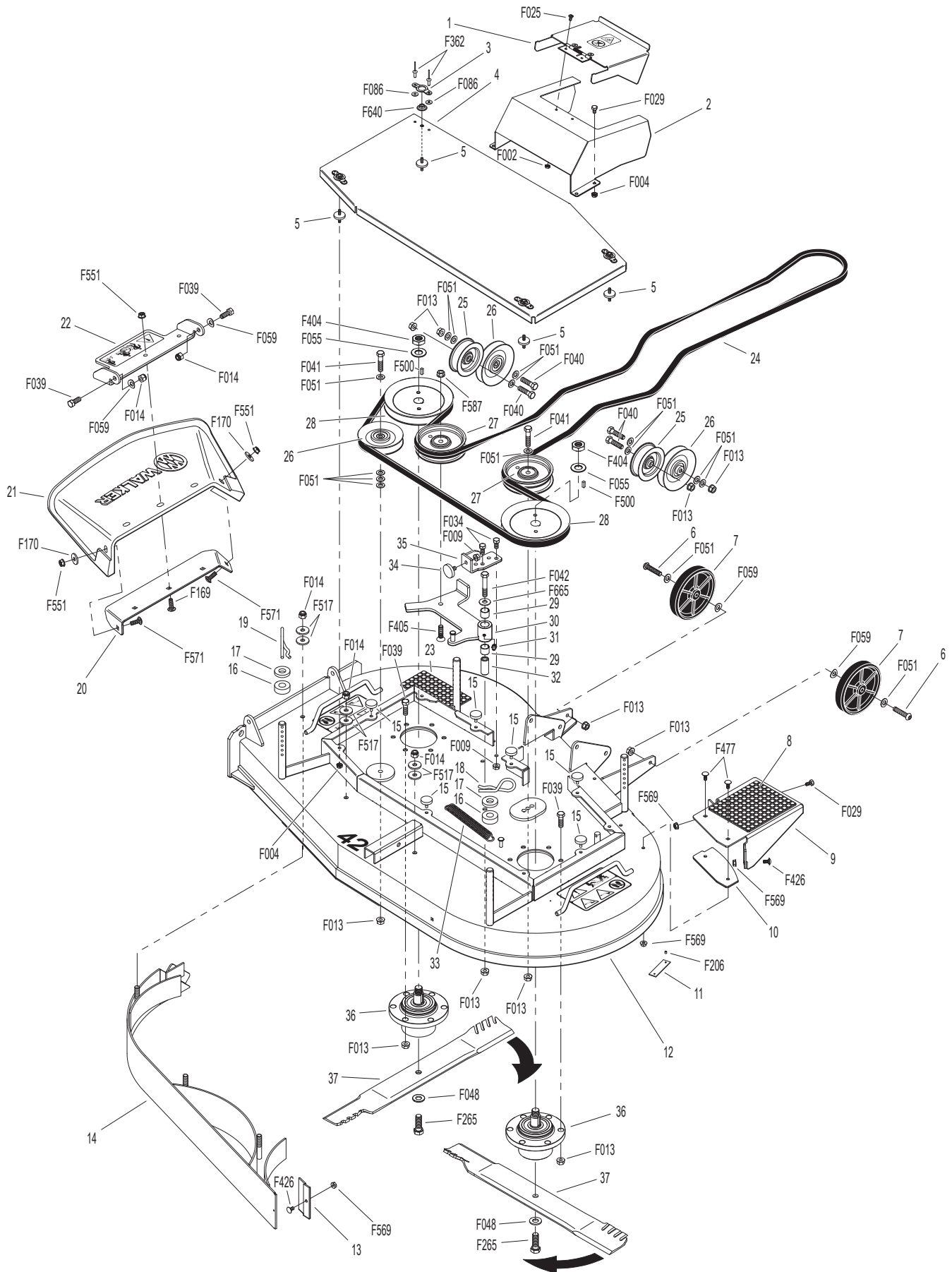
DS42-R DECK ASSEMBLY



DM42-R DECK ASSEMBLY

ITEM NO.	PART NO.	DESCRIPTION	NO. REQ'D	ITEM NO.	PART NO.	DESCRIPTION	NO. REQ'D
Deck Housing Components				Fasteners			
1	1620-2	Belt Drive Cover	1	F002		10-24 Keps Nut	2
2	1619-1	Drive Belt Guard	1	F004		1/4-20 Keps Nut	8
3	1701-58	Retaining Tab	4	F009		5/16-18 Whiz Locknut	3
4	1703-14	Deck Belt Cover (Includes Items # 3, F362 & F640)	1	F013		3/8-16 Whiz Locknut	21
5	7307-1	Shock Mount (1.0 x .25) Double Stud	4	F014		3/8-16 ESNA Nut	5
6	8490	Roller Wheel Axle Bolt	2	F025		10-24 x 3/8 PPHMS	2
7	5162-12	Roller Wheel (5" Poly) (Includes Items # 6, F013 & F059)	2	F029		1/4-20 x 1/2 Hex Bolt	5
8	8735-10	Rubber Mat (5 x 6)	1	F034		5/16-18 x 3/4 Hex Bolt	2
9	1703-13	Deck Step, DS42-R (Includes Item # 8)	1	F039		3/8-16 x 1-1/4 Hex Bolt	14
10	1703-12	Spacer Plate	1	F040		3/8-16 x 1-1/2 Hex Bolt	4
11	NS	Deck Serial Number Plate	1	F041		3/8-16 x 1-3/4 Hex Bolt	2
12	1703-4	DS42-R Deck Housing (Includes Item # 23)	1	F042		3/8-16 x 2-1/4 Hex Bolt	1
13	1692-2	Baffle Retaining Clip	1	F048		1/2 SAE Washer	2
14	1692-55	Removable Mulch Baffle	1	F051		3/8 SAE Washer	18
15	7307-9	Pull Through Bumper	6	F055		5/8 SAE Washer	2
16	7434-1	Washer 1-3/8 x 5/8-1/2 Thick	4	F059		3/8 Wave Spring Washer	4
17	5727-1	Washer Shim (5/8 ID)	4	F086		#10 SAE Washer	8
18	7775-2	Hitch Pin, LH (Gold) #6	2	F169		5/16-18 x 1 Carriage Bolt	3
19	7775-1	Hitch Pin, RH (Silver) #6	2	F170		5/16 x 1 x 7/64 Flat Washer (Zinc Plate)	2
20	1709-5	Backup Plate	1	F206		#2 x 3/16 Drive Pin	2
21	1709-3	Rubber Shield	1	F265		1/2-20 x 1-1/2 Hex Bolt	2
22	1709-6	Discharge Shield Frame	1	F362		A/A62D Alum. Pop Rivet (3/16 D x 13/32 L)	8
23	5747-10	Rubber Mat, No-Hole (3 x 6)	1	F404		5/8-18 Jam Nut	2
Blade Drive Components				F405		3/8-16 x 1-1/2 FHA Screw, SS	1
24	1731-1	Blade Drive Belt, MR 42	1	F426		1/4-20 x 1/2 Carriage Bolt	2
25	5245-2	Idler Pulley (2-3/4)	2	F477		1/4-20 x 5/8 Carriage Bolt	2
26	5247-2	V-Groove Idler (4")	3	F500		3/16 x 3/16 x 9/16 Key	2
27	7245-2	Idler Pulley	2	F517		Washer 3/8 x 1-1/8 x 1/8	6
28	6240-25	Spindle Pulley (6")	2	F551		5/16-18 Flange Top Lock Nut	5
29	7201-3	Fiberglide Bearing	2	F569		1/4-20 Flange Top Lock Nut	6
30	1703-9	Idler Arm (Includes Items # 29 & 31)	1	F571		5/16-18 x 7/8 Carriage Bolt	2
31	5830	Grease Fitting	1	F587		3/8-16 Top Lock Flange Nut Grade G	1
32	7201-4	Inner Race (1-1/2)	1	F640		1/4-20, 7/8 Washer Free Spinning Nut	4
33	5221-1	Extension Spring (3/4 x 5)	1	F665		Washer 1.0 x .406 x .062	1
34	7844	Rubber Bumper (1.25 x .250)	1	NOTE: The DM42-R is European only. Other regions need to purchase DS42-R and add Mulch Kit (P/N 1692-19) for a mulch option.			
35	1701-16	Idler Stop	1				
Blade Spindle Components							
36	8052-5	Blade Spindle	2				
37	7705-36	LH/RH Blade, 21-3/8" (Mulch) (RH Rotation)	2				

DM42-R DECK ASSEMBLY

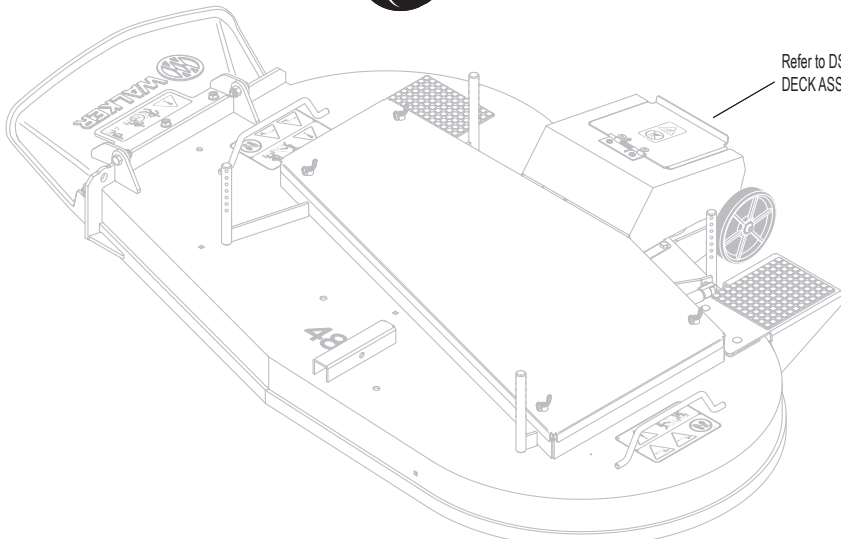
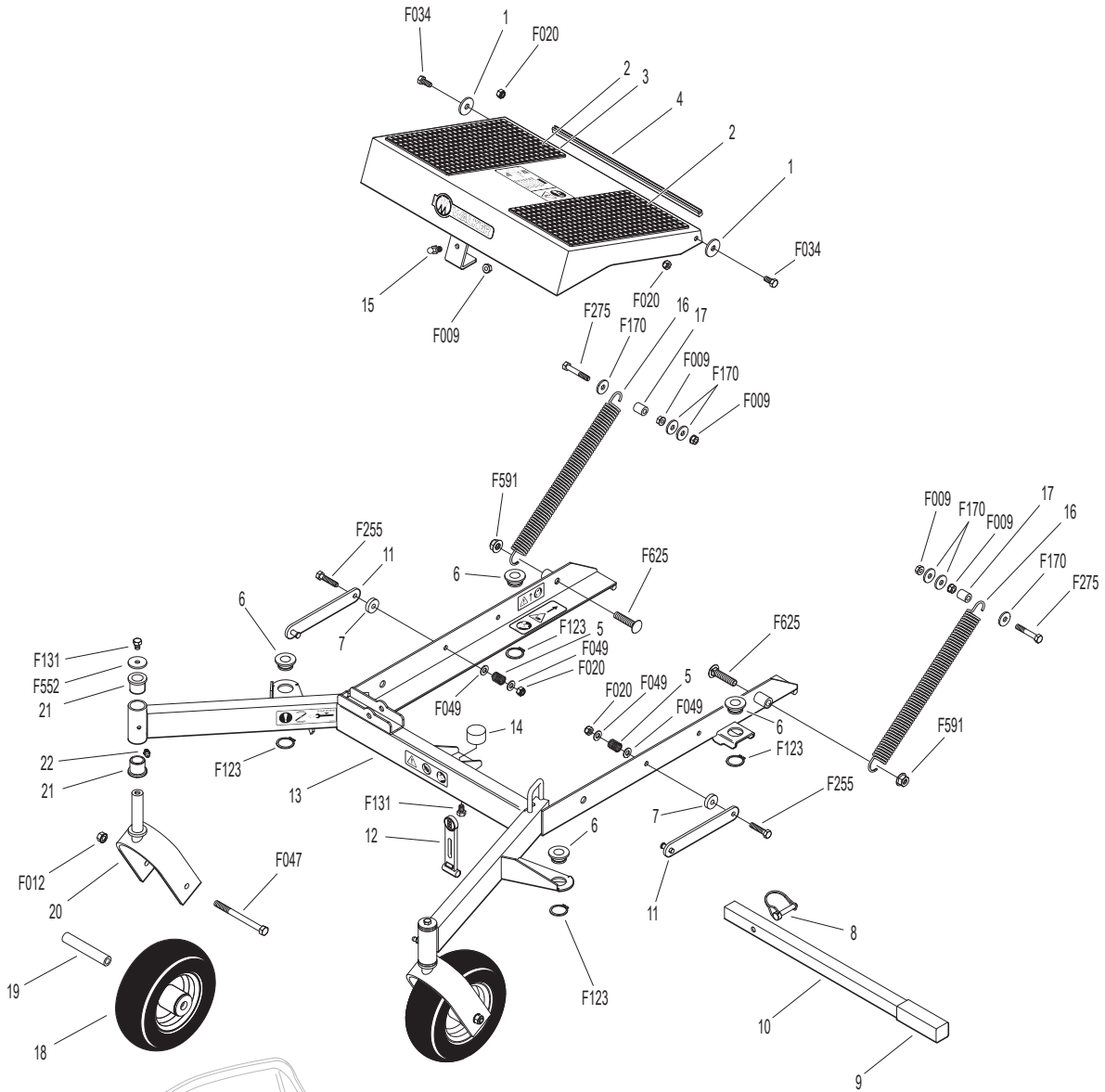


Model R22 Beginning S/N 189149
Use only genuine **Walker**® replacement parts.

DS48-R COMPLETE CARRIER FRAME ASSEMBLY

ITEM NO.	PART NO.	DESCRIPTION	NO. REQ'D	ITEM NO.	PART NO.	DESCRIPTION	NO. REQ'D
Carrier Frame Components				Fasteners			
1	7846	Washer (3/8 x 1-1/4 x 1/8)	2	F009		5/16-18 Whiz Locknut	5
2	8786-9	Rubber Mat (6 x 12)	2	F012		3/8-16 Keps Nut	2
3	1662	Footrest (Includes Items # 2 & 4)	1	F020		5/16-18 ESNA Nut	4
4	M112	Edge Molding (13-7/8")	1	F034		5/16-18 x 3/4 Hex Bolt	2
5	5682	Compression Spring (9/16 x 3/4)	2	F047		3/8-16 x 4-1/2 Hex Bolt	2
6	5740-4	Deck Pin Bushing	4	F049		5/16 SAE Washer	4
7	1661-3	Tilt Up Link Spacer	2	F123		1" External Snap Ring	4
8	7775-5	Lock Pin (5/16 x 1-5/8)	1	F131		5/16-18 x 1/2 Hex Bolt	3
9	5850-5	Handle Grip (1 x 1 x 3-3/4)	1	F170		5/16 x 1 x 7/64 Flat Washer (Zinc Plate)	6
10	6811-3	Tilt Bar With Grip (20") (Includes Item # 9)	1	F255		5/16-18 x 1-1/2 Hex Bolt	2
11	1661-2	Tilt Up Link	2	F275		5/16-18 x 2 Hex Bolt	2
12	1662-1	Tie Down Strap	1	F552		Washer 1.250 x .314 x .125	2
13	1661-1	DS48-R Carrier Frame (Includes Items # 21 & 22)	1	F591		7/16-14 Flange Top Lock Nut	2
14	8845-1	Rubber Bumper (1-1/4 x 3/4)	1	F625		7/16-14 x 2 Carriage Bolt	2
15	5146	10mm Ball Stud	1				
Spring and Pivot Mount Components							
16	5743-15	Extension Spring (1 x 9)	2				
17	5743-16	Spacer (5/16 x 1-1/2)	2				
Caster Wheel Components							
18	5715-20	Caster Wheel, Hollowmatic (8 x 3.00-4)	2				
19	5714-3	Axle Spacer Tube	2				
20	1770	Caster Wheel Fork	2				
21	5683-2	Pivot Bearing (.750 x 1.0)	4				
22	5830	Grease Fitting	2				

DS48-R COMPLETE CARRIER FRAME ASSEMBLY

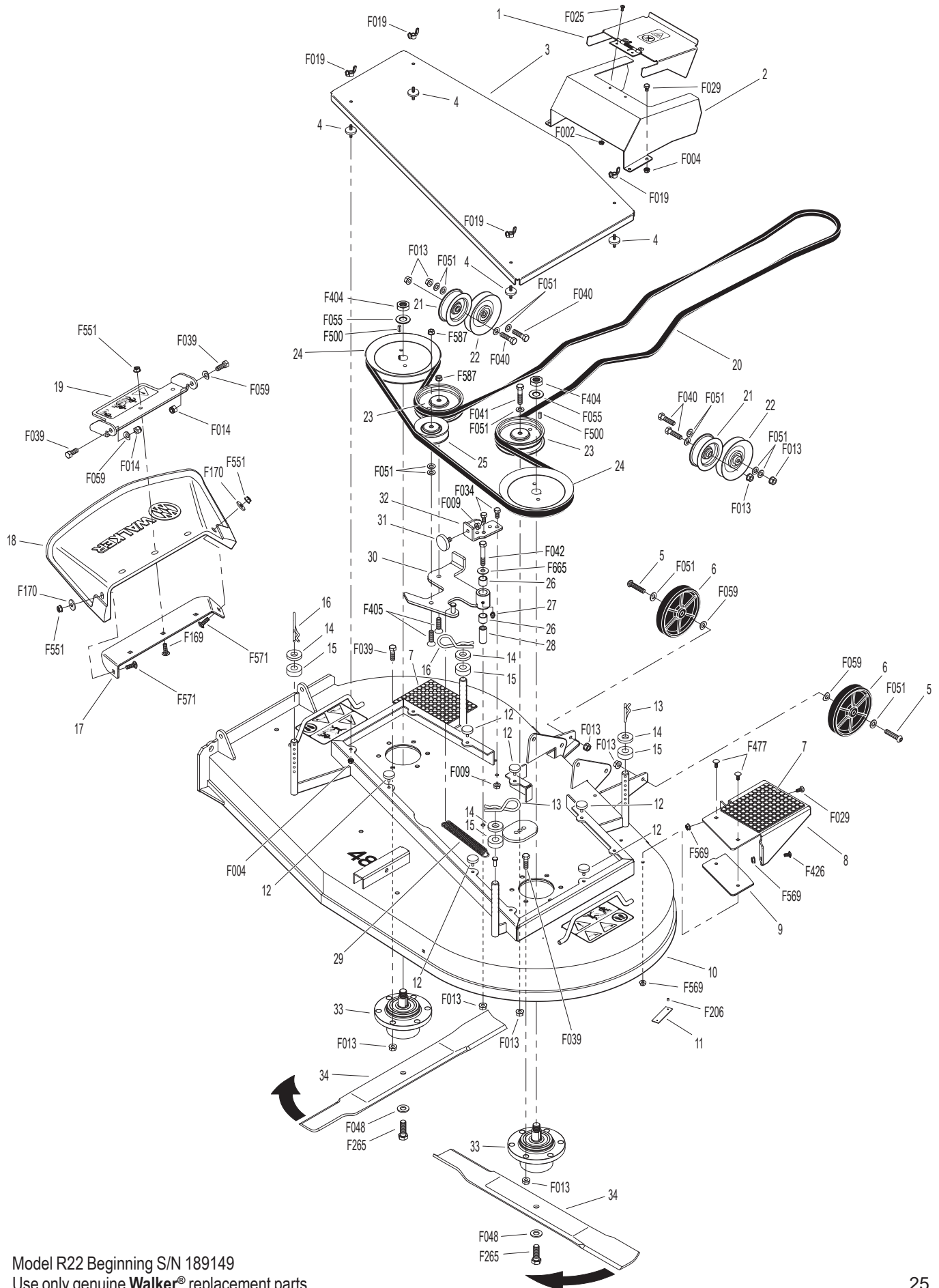


Refer to DS48-R or DM48-R
DECK ASSEMBLIES

DS48-R DECK ASSEMBLY

ITEM NO.	PART NO.	DESCRIPTION	NO. REQ'D	ITEM NO.	PART NO.	DESCRIPTION	NO. REQ'D
Deck Housing Components				Fasteners			
1	1620-2	Belt Drive Cover	1	F002		10-24 Keps Nut	2
2	1619-2	Drive Belt Guard	1	F004		1/4-20 Keps Nut	8
3	1701-1	Deck Belt Cover	1	F009		5/16-18 Whiz Locknut	3
4	7307-1	Shock Mount (1.0 x .25) Double Stud	4	F013		3/8-16 Whiz Locknut	20
5	8490	Roller Wheel Axle Bolt	2	F014		3/8-16 ESNA Nut	2
6	5162-12	Roller Wheel (5" Poly) (Includes Items # 5, F013 & F059)	2	F019		1/4-20 ESNA Wing Nut	4
7	8735-10	Rubber Mat (5 x 6)	2	F025		10-24 x 3/8 PPHMS	2
8	1701-13	Deck Step, DS48-R (Includes Item # 7)	1	F029		1/4-20 x 1/2 Hex Bolt	5
9	1701-12	Spacer Plate	1	F034		5/16-18 x 3/4 Hex Bolt	2
10	1701-18	DS48-R Deck Housing (Includes Item # 7)	1	F039		3/8-16 x 1-1/4 Hex Bolt	14
11	NS	Deck Serial Number Plate	1	F040		3/8-16 x 1-1/2 Hex Bolt	4
12	7307-9	Pull Through Bumper	6	F041		3/8-16 x 1-3/4 Hex Bolt	1
13	7775-2	Hitch Pin, LH (Gold) #6	2	F042		3/8-16 x 2-1/4 Hex Bolt	1
14	5727-1	Washer Shim (5/8 ID)	4	F048		1/2 SAE Washer	2
15	7434-1	Washer 1-3/8 x 5/8-1/2 Thick	4	F051		3/8 SAE Washer	13
16	7775-1	Hitch Pin, RH (Silver) #6	2	F055		5/8 SAE Washer	2
17	1709-5	Backup Plate	1	F059		3/8 Wave Spring Washer	4
18	1709-3	Rubber Shield	1	F169		5/16-18 x 1 Carriage Bolt	3
19	1709-6	Discharge Shield Frame	1	F170		5/16 x 1 x 7/64 Flat Washer (Zinc Plate)	2
Blade Drive Components				F206		#2 x 3/16 Drive Pin	2
20	1731	Blade Drive Belt, MR 48	1	F265		1/2-20 x 1-1/2 Hex Bolt	2
21	5245-2	Idler Pulley (2-3/4)	2	F404		5/8-18 Jam Nut	2
22	5247-2	V-Groove Idler (4")	2	F405		3/8-16 x 1-1/2 FHA Screw, SS	2
23	7245-2	Idler Pulley	2	F426		1/4-20 x 1/2 Carriage Bolt	1
24	6240-23	Spindle Pulley (6-3/4/B)	2	F477		1/4-20 x 5/8 Carriage Bolt	2
25	4245	Idler Pulley (3/A)	1	F500		3/16 x 3/16 x 9/16 Key	2
26	7201-3	Fiberglide Bearing	2	F551		5/16-18 Flange Top Lock Nut	5
27	5830	Grease Fitting	1	F569		1/4-20 Flange Top Lock Nut	4
28	7201-4	Inner Race (1-1/2)	1	F571		5/16-18 x 7/8 Carriage Bolt	2
29	5221-1	Extension Spring (3/4 x 5)	1	F587		3/8-16 Top Lock Flange Nut Grade G	2
30	1701-19	Idler Arm (Includes Items # 26 & 27)	1	F665		Washer 1.0 x .406 x .062	1
31	7844	Rubber Bumper (1.25 x .250)	1				
32	1701-16	Idler Stop	1				
Blade Spindle Components							
33	8052-5	Blade Spindle	2				
34	7705-29	LH/RH Blade, 24-3/8" (RH Rotation)	2				

DS48-R DECK ASSEMBLY

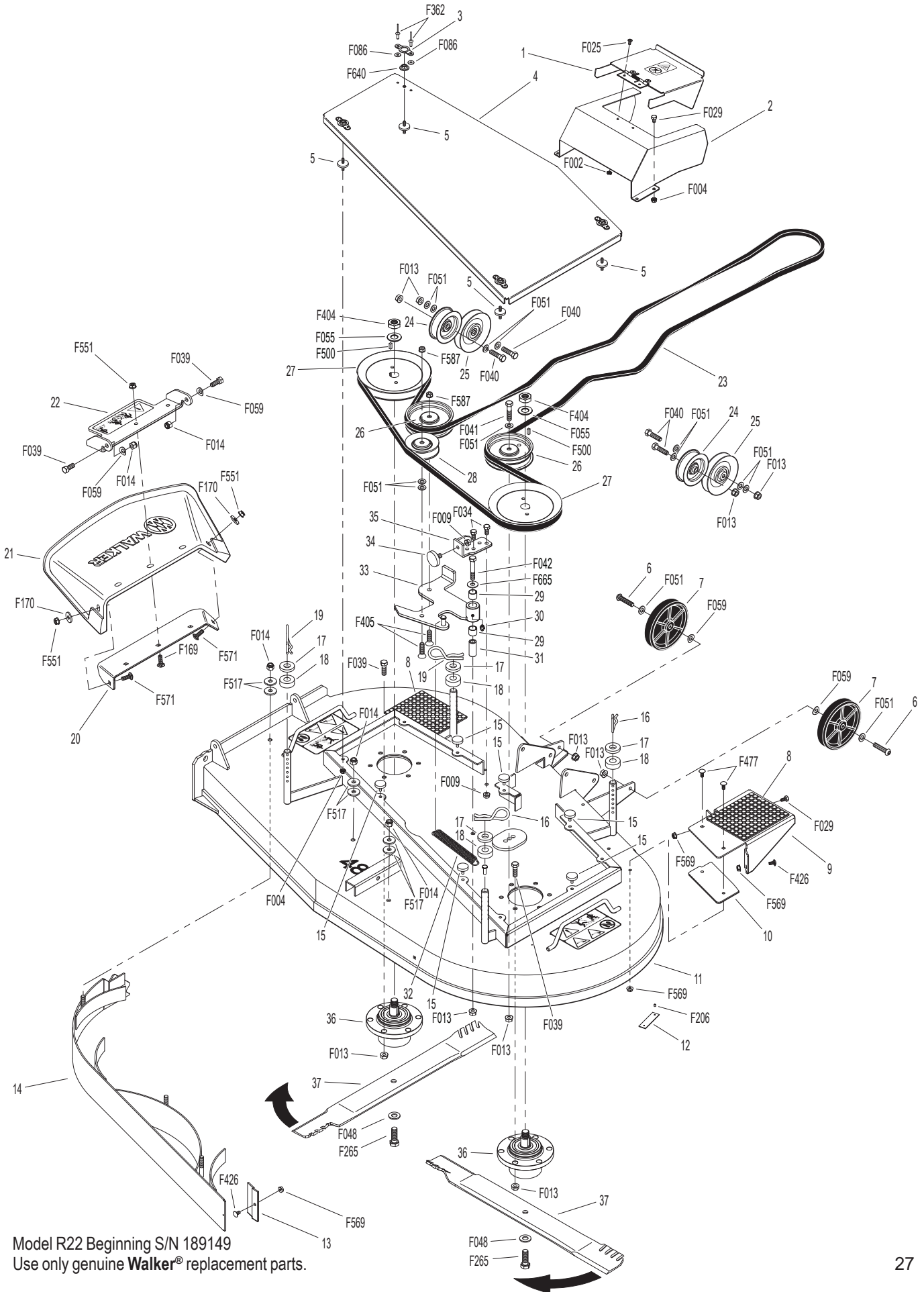


Model R22 Beginning S/N 189149
Use only genuine **Walker®** replacement parts.

DM48-R DECK ASSEMBLY

ITEM NO.	PART NO.	DESCRIPTION	NO. REQ'D	ITEM NO.	PART NO.	DESCRIPTION	NO. REQ'D
Deck Housing Components				Fasteners			
1	1620-2	Belt Drive Cover	1	F002		10-24 Keps Nut	2
2	1619-2	Drive Belt Guard	1	F004		1/4-20 Keps Nut	8
3	1701-58	Retaining Tab	4	F009		5/16-18 Whiz Locknut	3
4	1701-14	Deck Belt Cover (Includes Items # 3, F362 & F640)	1	F013		3/8-16 Whiz Locknut	20
5	7307-1	Shock Mount (1.0 x .25) Double Stud	4	F014		3/8-16 ESNA Nut	5
6	8490	Roller Wheel Axle Bolt	2	F025		10-24 x 3/8 PPHMS	2
7	5162-12	Roller Wheel (5" Poly) (Includes Items # 6, F013 & F059)	2	F029		1/4-20 x 1/2 Hex Bolt	5
8	8735-10	Rubber Mat (5 x 6)	2	F034		5/16-18 x 3/4 Hex Bolt	2
9	1701-13	Deck Step, DS48-R (Includes Item # 8)	1	F039		3/8-16 x 1-1/4 Hex Bolt	14
10	1701-12	Spacer Plate	1	F040		3/8-16 x 1-1/2 Hex Bolt	4
11	1701-18	DS48-R Deck Housing (Includes Item # 8)	1	F041		3/8-16 x 1-3/4 Hex Bolt	1
12	NS	Deck Serial Number Plate	1	F042		3/8-16 x 2-1/4 Hex Bolt	1
13	1692-2	Baffle Retaining Clip	1	F048		1/2 SAE Washer	2
14	1692-47	Removable Mulch Baffle	1	F051		3/8 SAE Washer	11
15	7307-9	Pull Through Bumper	6	F055		5/8 SAE Washer	2
16	7775-2	Hitch Pin, LH (Gold) #6	2	F059		3/8 Wave Spring Washer	4
17	5727-1	Washer Shim (5/8 ID)	4	F086		#10 SAE Washer	8
18	7434-1	Washer 1-3/8 x 5/8-1/2 Thick	4	F169		5/16-18 x 1 Carriage Bolt	3
19	7775-1	Hitch Pin, RH (Silver) #6	2	F170		5/16 x 1 x 7/64 Flat Washer (Zinc Plate)	2
20	1709-5	Backup Plate	1	F206		#2 x 3/16 Drive Pin	2
21	1709-3	Rubber Shield	1	F265		1/2-20 x 1-1/2 Hex Bolt	2
22	1709-6	Discharge Shield Frame	1	F362		A/A62D Alum. Pop Rivet (3/16 D x 13/32 L)	8
				F404		5/8-18 Jam Nut	2
				F405		3/8-16 x 1-1/2 FHA Screw, SS	2
				F426		1/4-20 x 1/2 Carriage Bolt	2
				F477		1/4-20 x 5/8 Carriage Bolt	2
				F500		3/16 x 3/16 x 9/16 Key	2
				F517		Washer 3/8 x 1-1/8 x 1/8	6
				F551		5/16-18 Flange Top Lock Nut	5
				F569		1/4-20 Flange Top Lock Nut	5
				F571		5/16-18 x 7/8 Carriage Bolt	2
				F587		3/8-16 Top Lock Flange Nut Grade G	2
				F640		1/4-20, 7/8 Washer Free Spinning Nut	4
				F665		Washer 1.0 x .406 x .062	1
Blade Drive Components				NOTE: The DM48-R is European only. Other regions need to purchase DS48-R and add Mulch Kit (1692-20) for a mulch option.			
23	1731	Blade Drive Belt, MR 48	1				
24	5245-2	Idler Pulley (2-3/4)	2				
25	5247-2	V-Groove Idler (4")	2				
26	7245-2	Idler Pulley	2				
27	6240-23	Spindle Pulley (6-3/4/B)	2				
28	4245	Idler Pulley (3/A)	1				
29	7201-3	Fiberglide Bearing	2				
30	5830	Grease Fitting	1				
31	7201-4	Inner Race (1-1/2)	1				
32	5221-1	Extension Spring (3/4 x 5)	1				
33	1701-19	Idler Arm (Includes Items # 29 & 30)	1				
34	7844	Rubber Bumper (1.25 x .250)	1				
35	1701-16	Idler Stop	1				
Blade Spindle Components							
36	8052-5	Blade Spindle	2				
37	7705-37	LH/RH Blade, 24-3/8" (Mulch) (RH Rotation)	2				

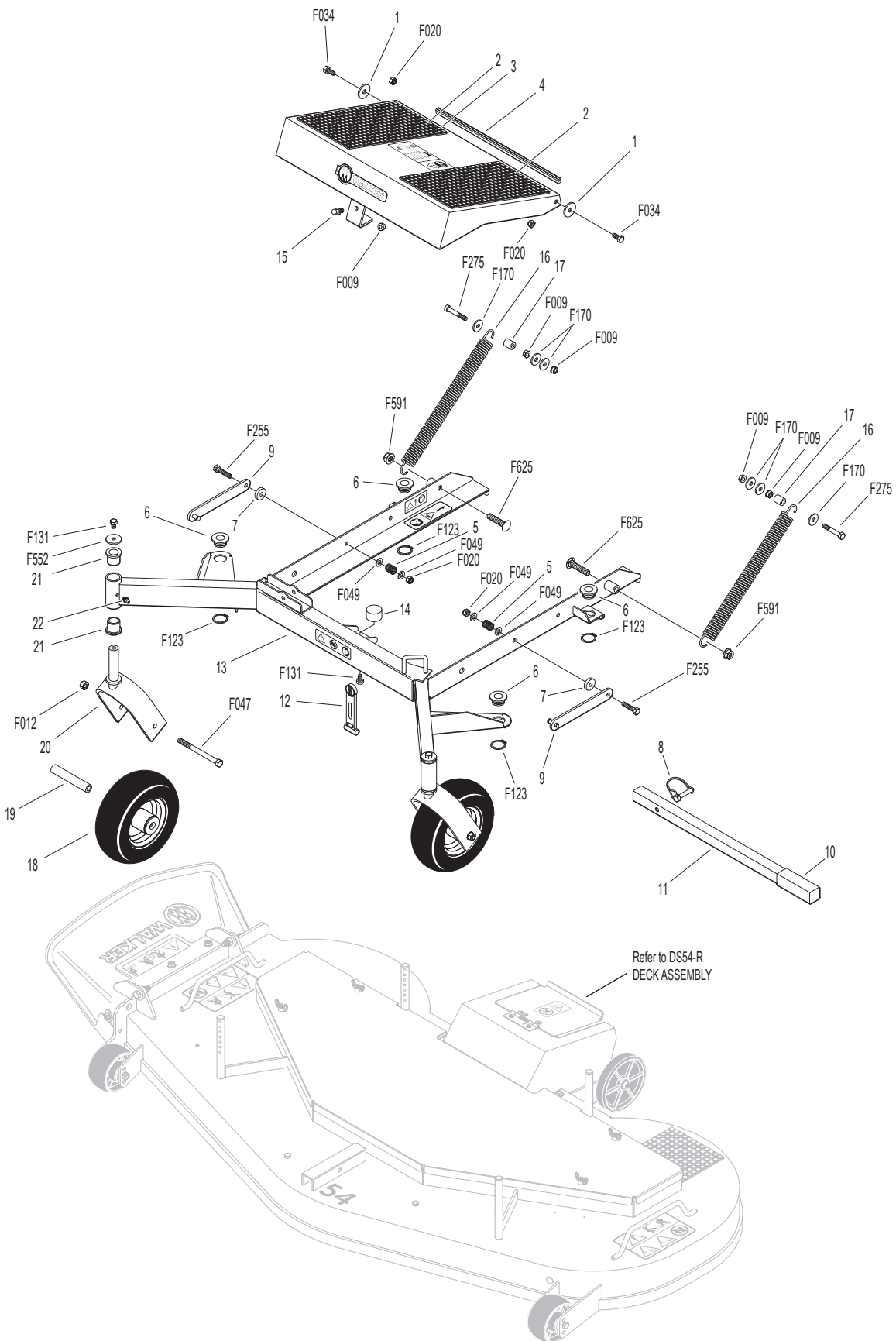
DM48-R DECK ASSEMBLY



DS54-R COMPLETE CARRIER FRAME ASSEMBLY

ITEM NO.	PART NO.	DESCRIPTION	NO. REQ'D	ITEM NO.	PART NO.	DESCRIPTION	NO. REQ'D
Carrier Frame Components				Fasteners			
1	7846	Washer (3/8 x 1-1/4 x 1/8)	2	F009		5/16-18 Whiz Locknut	5
2	8786-9	Rubber Mat (6 x 12)	2	F012		3/8-16 Keps Nut	2
3	1662	Footrest (Includes Items # 2 & 4)	1	F020		5/16-18 ESNA Nut	4
4	M112	Edge Molding (13-7/8")	1	F034		5/16-18 x 3/4 Hex Bolt	2
5	5682	Compression Spring (9/16 x 3/4)	2	F047		3/8-16 x 4-1/2 Hex Bolt	2
6	5740-4	Deck Pin Bushing	4	F049		5/16 SAE Washer	4
7	1661-3	Tilt Up Link Spacer	2	F123		1" External Snap Ring	4
8	7775-5	Lock Pin (5/16 x 1-5/8)	1	F131		5/16-18 x 1/2 Hex Bolt	3
9	1661-2	Tilt Up Link	2	F170		5/16 x 1 x 7/64 Flat Washer (Zinc Plate)	6
10	5850-5	Handle Grip (1 x 1 x 3-3/4)	1	F255		5/16-18 x 1-1/2 Hex Bolt	2
11	6811-3	Tilt Bar With Grip (20") (Includes Item # 10)	1	F275		5/16-18 x 2 Hex Bolt	2
12	1662-1	Tie Down Strap	1	F552		Washer 1.250 x .314 x .125	2
13	1662-3	DS54-R Carrier Frame (Includes Items # 21 & 22)	1	F591		7/16-14 Flange Top Lock Nut	2
14	8845-1	Rubber Bumper (1-1/4 x 3/4)	1	F625		7/16-14 x 2 Carriage Bolt	2
15	5146	10mm Ball Stud	1				
Spring and Pivot Mount Components							
16	5743-15	Extension Spring (1 x 9)	2				
17	5743-16	Spacer (5/16 x 1-1/2)	2				
Caster Wheel Components							
18	5715-20	Caster Wheel, Hollowmatic (8 x 3.00-4)	2				
19	5714-3	Axle Spacer Tube	2				
20	1770	Caster Wheel Fork	2				
21	5683-2	Pivot Bearing (.750 x 1.0)	4				
22	5830	Grease Fitting	2				

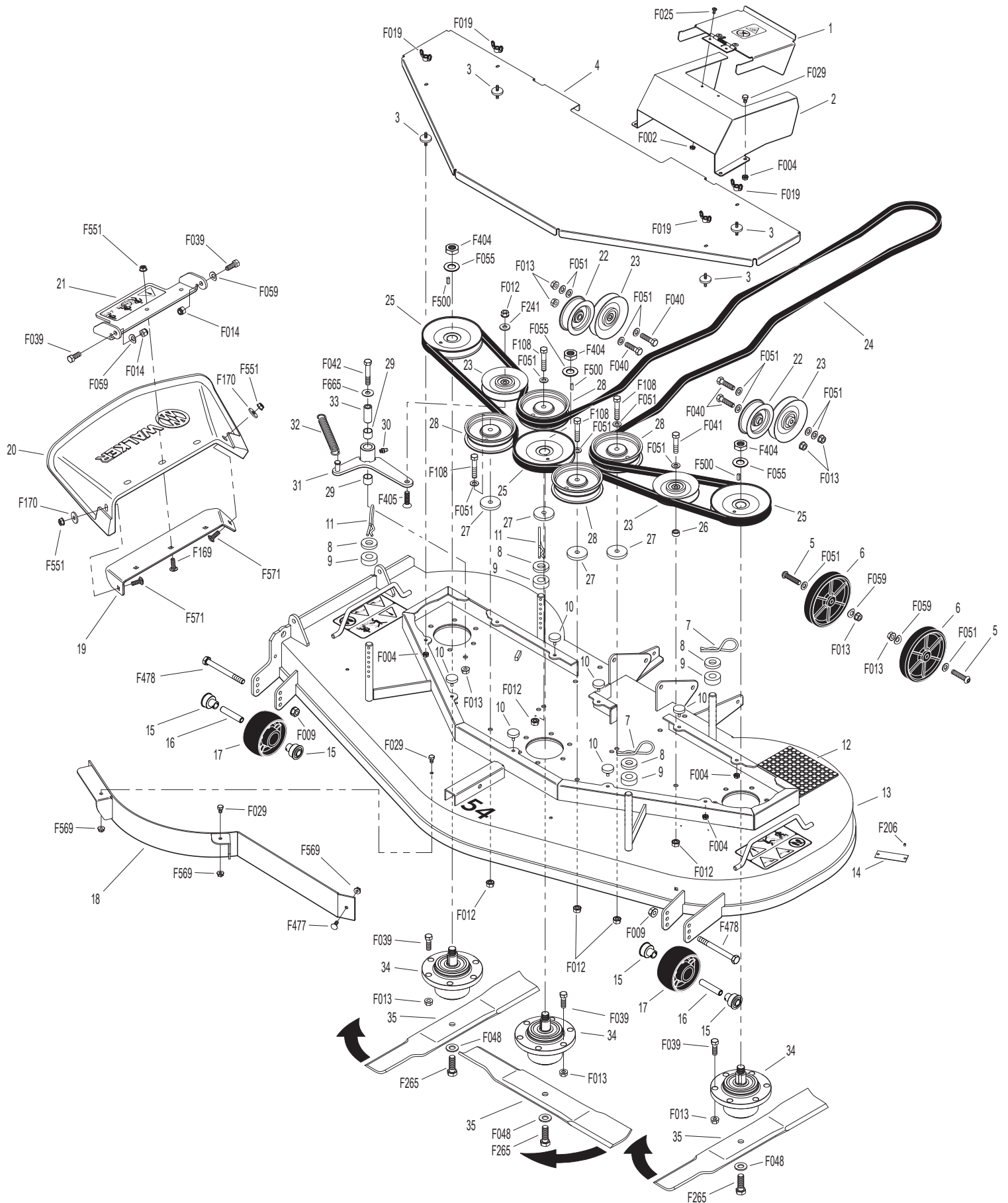
DS54-R COMPLETE CARRIER FRAME ASSEMBLY



DS54-R DECK ASSEMBLY

ITEM NO.	PART NO.	DESCRIPTION	NO. REQ'D	ITEM NO.	PART NO.	DESCRIPTION	NO. REQ'D
Deck Housing Components				Fasteners			
1	1620-2	Belt Drive Cover	1	F002		10-24 Keps Nut	2
2	1619-3	Drive Belt Guard	1	F004		1/4-20 Keps Nut	8
3	7307-1	Shock Mount (1.0 x .25) Double Stud	4	F009		5/16-18 Whiz Locknut	2
4	1701-15	Deck Belt Cover	1	F012		3/8-16 Keps Nut	6
5	8490	Roller Wheel Axle Bolt	2	F013		3/8-16 Whiz Locknut	24
6	5162-12	Roller Wheel (5" Poly) (Includes Items # 5, F013 & F059)	2	F014		3/8-16 ESNA Nut	2
7	7775-2	Hitch Pin, LH (Gold) #6	2	F019		1/4-20 ESNA Wing Nut	4
8	5727-1	Washer Shim (5/8 ID)	4	F025		10-24 x 3/8 PPHMS	2
9	7434-1	Washer 1-3/8 x 5/8-1/2 Thick	4	F029		1/4-20 x 1/2 Hex Bolt	6
10	7307-9	Pull Through Bumper	6	F039		3/8-16 x 1-1/4 Hex Bolt	20
11	7775-1	Hitch Pin, RH (Silver) #6	2	F040		3/8-16 x 1-1/2 Hex Bolt	4
12	8735-10	Rubber Mat (5 x 6)	1	F041		3/8-16 x 1-3/4 Hex Bolt	1
13	1702	DS54-R Deck Housing (Includes Item # 12)	1	F042		3/8-16 x 2-1/4 Hex Bolt	1
14	NS	Deck Serial Number Plate	1	F048		1/2 SAE Washer	3
15	6715-3	Roller Wheel Bearing	4	F051		3/8 SAE Washer	15
16	6715-6	Axle Spacer Tube	2	F055		5/8 SAE Washer	3
17	6715-2	Roller Wheel	2	F059		3/8 Wave Spring Washer	4
18	1702-70	Baffle	1	F108		3/8-16 x 2 Hex Bolt	4
19	1709-5	Backup Plate	1	F169		5/16-18 x 1 Carriage Bolt	3
20	1709-3	Rubber Shield	1	F170		5/16 x 1 x 7/64 Flat Washer (Zinc Plate)	2
21	1709-6	Discharge Shield Frame	1	F206		#2 x 3/16 Drive Pin	2
Blade Drive Components				F241		.375 x .875 x .10 Washer	1
22	5245-2	Idler Pulley (2-3/4)	2	F265		1/2-20 x 1-1/2 Hex Bolt	3
23	5247-2	V-Groove Idler (4")	4	F404		5/8-18 Jam Nut	3
24	1731-2	Blade Drive Belt	1	F405		3/8-16 x 1-1/2 FHA Screw, SS	1
25	6240-26	Spindle Pulley (5.25)	3	F477		1/4-20 x 5/8 Carriage Bolt	1
26	6325-2	Spacer Bushing (5/16)	1	F478		5/16-18 x 3-1/4 Hex Bolt	2
27	4401-4	Washer 1-3/4 x 3/8 x 1/4 Thk	4	F500		3/16 x 3/16 x 9/16 Key	3
28	7245-2	Idler Pulley	4	F551		5/16-18 Flange Top Lock Nut	5
29	7201-3	Fiberglide Bearing	2	F569		1/4-20 Flange Top Lock Nut	3
30	5830	Grease Fitting	1	F571		5/16-18 x 7/8 Carriage Bolt	2
31	1702-9	Idler Arm, DS54-R (Includes Items # 29 & 30)	1	F665		Washer 1.0 x .406 x .062	1
32	5221	Extension Spring (3/4 x 4)	1				
33	7201-4	Inner Race (1-1/2)	1				
Blade Spindle Components							
34	8052-5	Blade Spindle	3				
35	7705-42	LH/Center/RH Blade, 18.667 (RH Rotation)	3				

DS54-R DECK ASSEMBLY

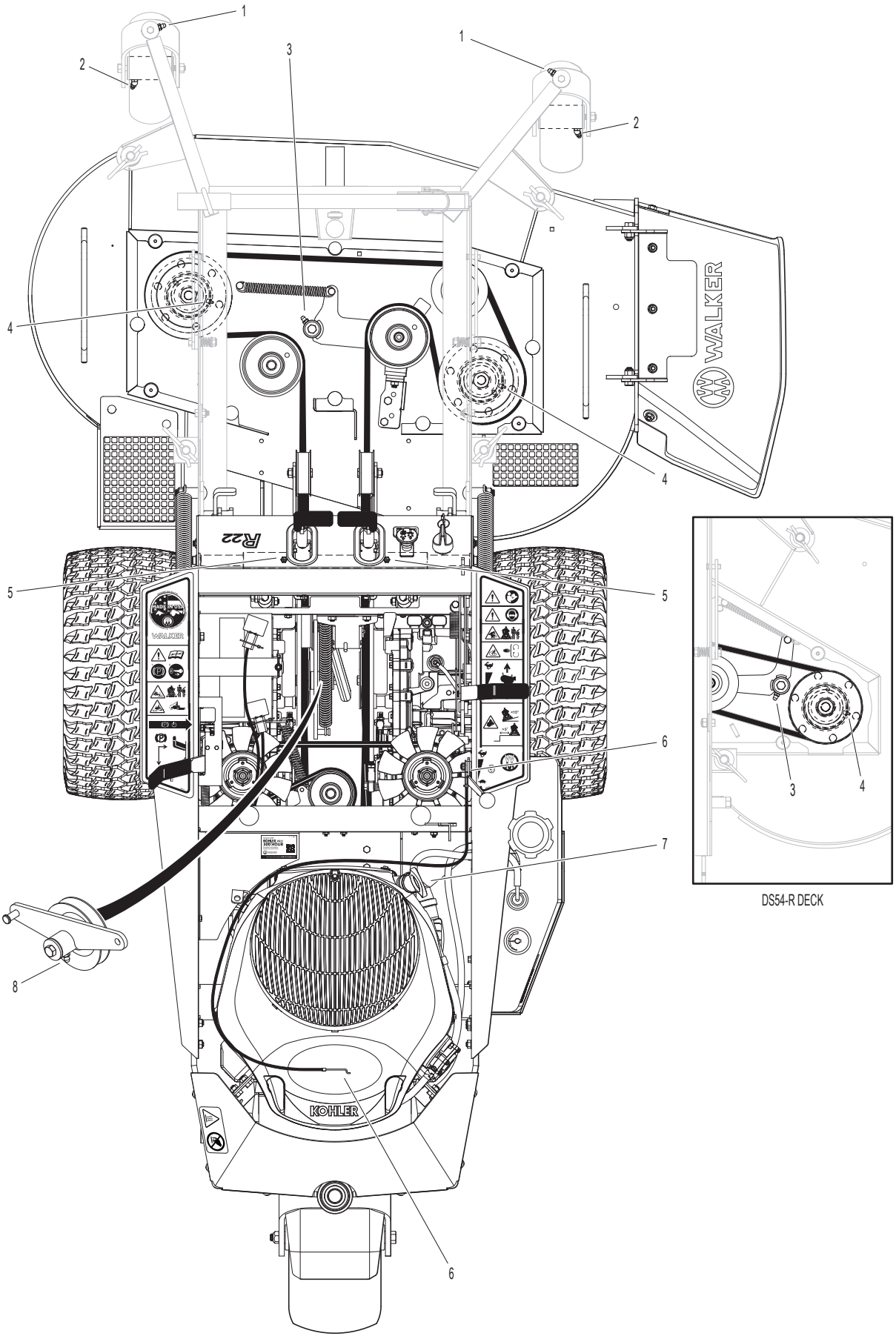


Model R22 Beginning S/N 189149
 Use only genuine **Walker®** replacement parts.

LUBRICATION POINTS

ITEM NO.	PART NO.	DESCRIPTION	NO. REQ'D	ITEM NO.	PART NO.	DESCRIPTION	NO. REQ'D
Lubrication Points				* Three (3) spindles and grease points on DS54-R.			
1		Deck Caster Wheel Fork Pivot	Grease 2	**		Refer to R22 Operator's Manual for procedure for checking and changing oil in Engine Crankcase.	
2		Deck Caster Wheel Bearing	Grease 2				
3		Idler Arm Pivot	Grease 1				
4		Blade Spindle	Grease 2*				
5		Steering Lever Pivot	Grease 2				
6		Throttle Control Cable Ends	Oil 2				
7		Engine Dipstick / Oil Fill	Oil** 1				
8		Tensioner Arm	Grease 1				
				NOTE: See Model R22 Operator's Manual (P/N 1000-10) for proper lubrication intervals.			

LUBRICATION POINTS



Model R22 Beginning S/N 189149
Use only genuine Walker® replacement parts.

WIRING SCHEMATIC

WALKER MODEL R22
Beginning S/N 2024-189149

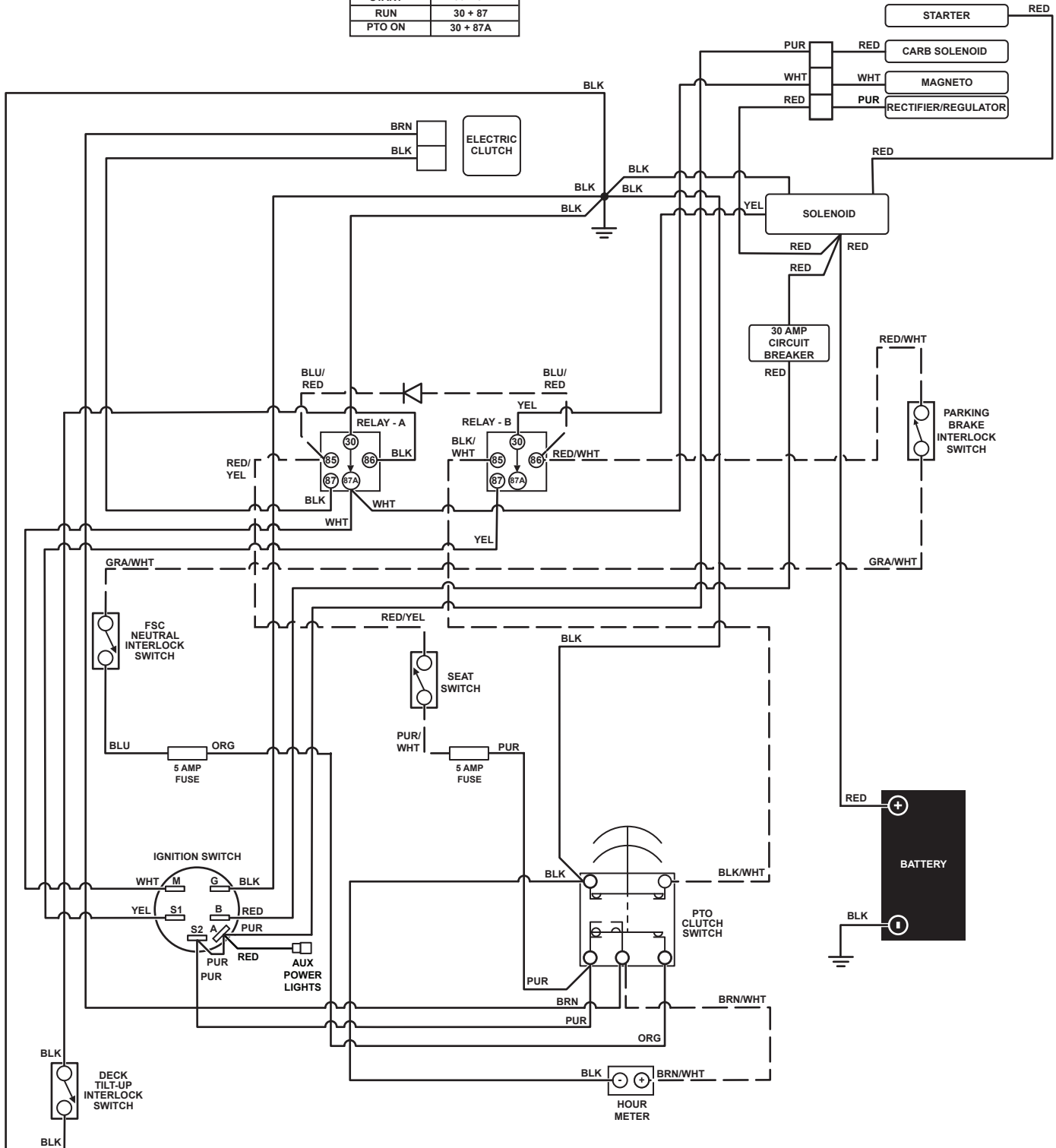
RELAY - A	
IGNITION RELAY	
OFF	30 + 87A
START	30 + 87
RUN	30 + 87
PTO ON	30 + 87A

PTO CLUTCH SWITCH	
OFF-PUSH	PUR + ORG
ON-PULL	PUR+BRN+BRN/WHT

RELAY - B	
START RELAY	
OFF	30 + 87A
START	30 + 87
RUN	30 + 87
PTO ON	30 + 87A

IGNITION SWITCH CIRCUITS	
OFF	G + M
START	B + A / S1 + S2
RUN	B + A

S1 = START CIRCUIT
S2 = START/ACCESSORY CIRCUIT
M = MAGNETO GROUND CIRCUIT
B = BATTERY CIRCUIT
A = ACCESSORY CIRCUIT
G = GROUND CIRCUIT



LIMITED WARRANTY FOR WALKER MODEL R22 RIDER MOWERS

1. WHAT THIS WARRANTY COVERS, AND FOR HOW LONG:

Walker Manufacturing company will, at its option, repair or replace, without charge, any part covered by this warranty which is found to be defective in material and/or workmanship within three (3) years or 300 hours after date of sale to the original retail purchaser. At Walker's request, customer will make the defective part available for inspection by Walker and/or return the defective part to Walker, transportation charges prepaid. All parts and components of the Walker Mower are covered by this warranty **except** the following components which are warranted separately by their respective manufacturers:

Kohler Engine

Battery

The available warranties covering these items are furnished with each mower. Walker does not assume any warranty obligation, liability or modification for these items, which are covered exclusively by the stated warranty of the respective manufacturers noted above.

2. WHAT THIS WARRANTY DOES NOT COVER:

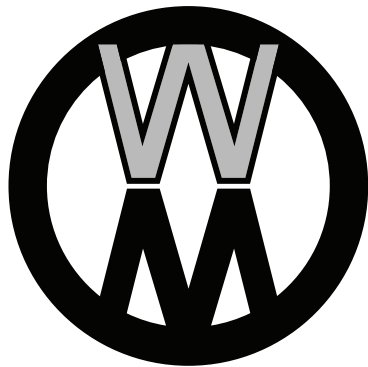
- A. This warranty does not cover defects caused by depreciation or damage caused by normal wear, accidents, improper maintenance, improper use or abuse of the product, alterations, or failure to follow the instructions contained in the Operator's Manual for operation and maintenance.
- B. The customer shall pay any charges for making service calls and/or for transporting the mower to and from the place where the inspection and/or warranty work is performed.

3. HOW TO OBTAIN SERVICE UNDER THIS WARRANTY:

Warranty service can be arranged by contacting the dealer where you purchased the mower or by contacting Walker Manufacturing Company, 5925 East Harmony Road, Ft. Collins, CO 80528. Proof of the date of purchase may be required to verify warranty coverage.

4. WARRANTY LIMITATION:

- A. **THERE IS NO OTHER EXPRESS WARRANTY. ANY WARRANTY THAT MAY BE IMPLIED FROM THIS PURCHASE INCLUDING MERCHANTABILITY AND FITNESS FOR A PARTICULAR PURPOSE IS HEREBY LIMITED TO THE DURATION OF THIS WARRANTY AND TO THE EXTENT PERMITTED BY LAW ANY AND ALL IMPLIED WARRANTIES ARE EXCLUDED.** Some states do not allow limitations on how long an implied warranty lasts, so the above limitations may not apply to you.
- B. **WALKER WILL NOT BE LIABLE FOR ANY INCIDENTAL, CONSEQUENTIAL, OR SPECIAL DAMAGES AND/OR EXPENSES IN CONNECTION WITH THE PURCHASE OR USE OF THE MOWER.** Some states do not allow the exclusion or limitation of incidental or consequential damages, so the above limitation(s) or exclusion(s) may not apply to you.
- C. Only the warranty expressed in this limited warranty shall apply and no dealer, distributor, or individual is authorized to amend, modify, or extend this warranty in any way. Accordingly, additional statements such as dealer advertising or presentations, whether oral or written, do not constitute warranties by Walker, and should not be relied upon.
- D. This warranty gives you specific legal rights, and you may also have other rights which vary from state to state.



WALKER

WALKER MFG. CO. • 5925 E. HARMONY ROAD, FORT COLLINS, CO 80528 • (970) 221-5614
FORM NO. 042324 PRINTED IN USA www.walker.com ©2024 WALKER MFG. CO